

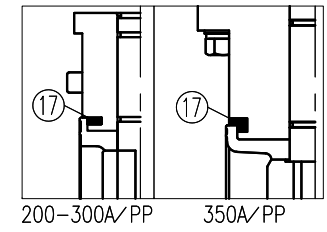
No.	Part Name	Q'TY	Material Type
1	Body	1	Body/Disc <input type="checkbox"/> PVC/PP
2	Disc	1	<input type="checkbox"/> PP/PP <input type="checkbox"/> PVDF/PVDF
3	Shaft	1	<input type="checkbox"/> SUS420J2 <input type="checkbox"/> SUS316
4	Seat Ring	1	
5	O-Ring	2	<input type="checkbox"/> EPDM <input type="checkbox"/> FKM
6	O-Ring	1	
7	Housing Cover	1	GF-PP
8	Housing	1	GF-PP
9	Packing	1	EPDM
10	Washer	4	SUS304
11	Spring washer	4	SUS304
12	Hexagonal bolt	4	SUS304
13	Indicator	1	ABS
14	Shaft Cover	1	PVC
15	Handle	1	ABS
16	Cap	1	PP
17	Reinforced Ring (200-400A Body:PP)	2	S45C+Plating

Dimension Table

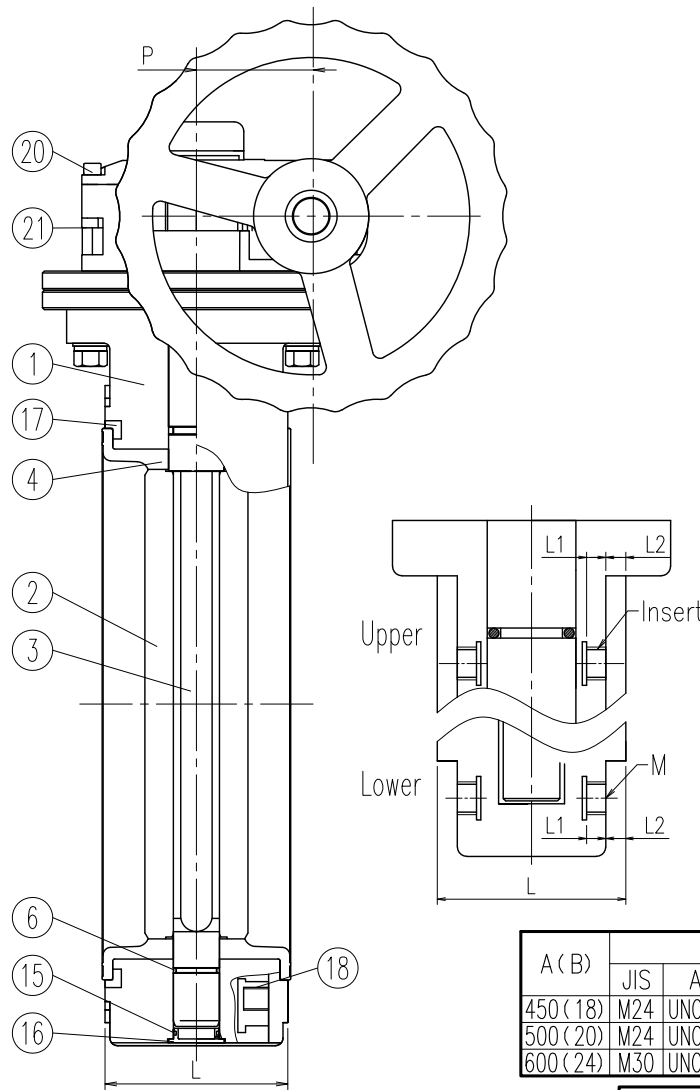
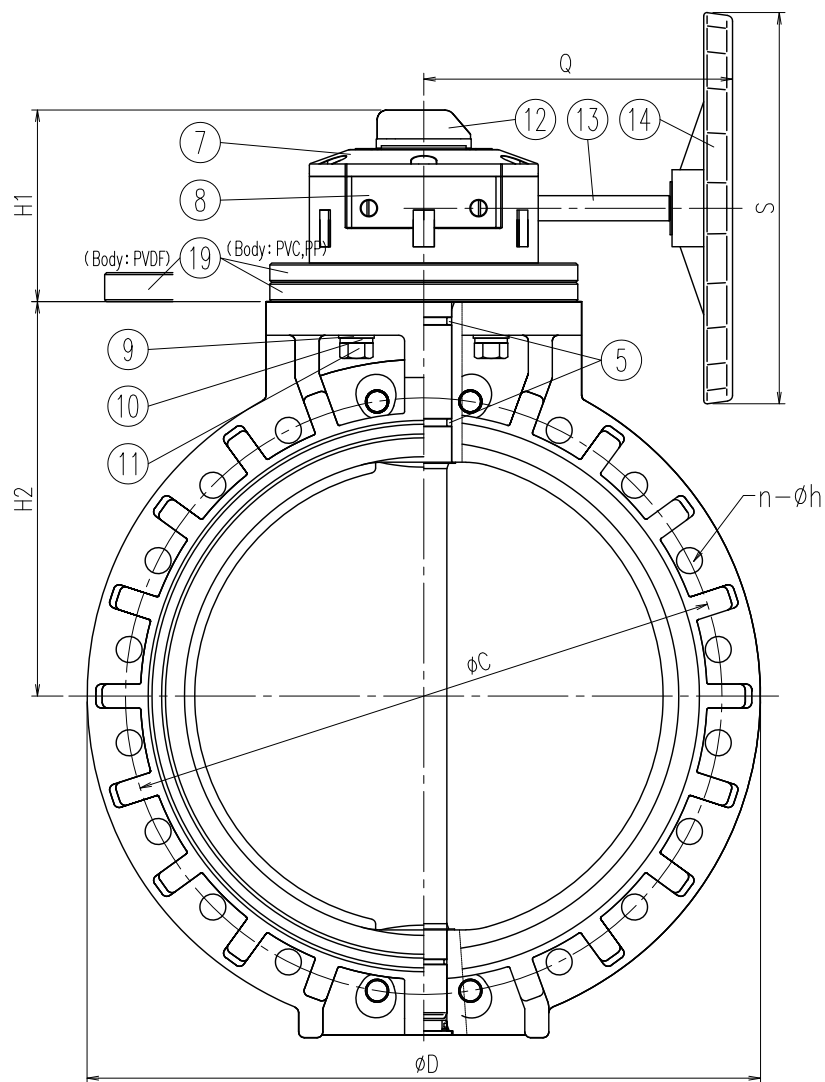
Size	A(B)	ød	L	øD			Flange						H1	H2			W1	W2	W3	P	Q	øS	GearBox
				PVC	PP	PVDF	JIS10K		ANSI		DIN			PVC	PP	PVDF							
							øC	n-øh	øC	n-øh	øC	n-øh											
<input type="checkbox"/> 40 (1·1/2)	45	33±1.5	140	138	136	105	4-19	98.5	4-16	110	4-18	72	98	96	95	143	106	90	36	135	125	TypeA	
<input type="checkbox"/> 50 (2)	57	43±1.5	155	152	150	120	4-19	120.5	4-19	125	4-18	72	106	104	103	143	106	90	36	135	125	TypeA	
<input type="checkbox"/> 65 (2 1/2)	71	46±1.5	178	174	174	140	4-19	139.5	4-19	145	4-18	72	116	114	113	143	106	90	36	135	125	TypeA	
<input type="checkbox"/> 80 (3)	80	46±1.5	196	192	190	150	8-19	152.5	4-19	160	8-18	72	123	121	119	143	106	90	36	135	125	TypeA	
<input type="checkbox"/> 100 (4)	100	52±1.5	229	225	223	175	8-19	190.5	8-19	180	8-18	72	143	140	139	143	106	90	36	135	125	TypeA	
<input type="checkbox"/> 125 (5)	125	56±1.5	254	249	251	210	8-23	216.0	8-22	210	8-18	84	159	156	154	235	160	124	68	178	210	TypeB	
<input type="checkbox"/> 150 (6)	150	60±1.5	286	280	278	240	8-23	241.5	8-22	240	8-22	84	168	165	163	235	160	124	68	178	210	TypeB	
<input type="checkbox"/> 200 (8)	198	71±1.5	343	336	331	290	12-23	298.5	8-22	295	8-22	84	220	216	213	235	160	124	68	178	210	TypeB	
<input type="checkbox"/> 250 (10)	246	78±1.5	410	402	397	355	12-25	362.0	12-25	350	12-22	115	250	245	243	353	211	180	88	270	350	TypeC	
<input type="checkbox"/> 300 (12)	299	114±1.5	485	477	474	400	16-25	432.0	12-25	400	12-22	115	280	274	272	353	211	180	88	270	350	TypeC	
<input type="checkbox"/> 350 (14)	348	129±1.5	535	535	535	445	16-25	476.2	12-29	460	16-22	115	325	325	325	353	211	180	88	270	350	TypeC	

Unit: mm

Remarks) Flange dimension is in accordance with the following standard; (JIS10K) JIS B 2220. (ANSI) ANSI B16.5. (DIN) DIN EN 1092-1 PN10



Client name		Date
Flange Standard	<input type="checkbox"/> JIS10K <input type="checkbox"/> ANSI <input type="checkbox"/> DIN	Approved by:
Rinsed	<input type="checkbox"/> YES	
ESLON Butterfly Valve		
Pla-Gear Type 40 (1·1/2") - 350 (14")		
Drawing No.	BFPG403FE	
SEKISUI SEKISUI CHEMICAL CO.,LTD.		



No.	Part Name	Q'ty	Material Type	
1	Body	1	Body/Disc □PVC/PP □PP/PP □PVDF/PVDF	
2	Disc	1	□SUS420J2 □SUS316	
3	Shaft	1		
4	Seat ring	1		
5	O-ring	2	□EPDM □FKM	
6	O-ring	1		
7	Housing cover	1	GF-PP	
8	Housing	1	GF-PP	
9	Washer	4	SUS316	
10	Spring washer	4	SUS316	
11	Hexagonal bolt	4	SUS316	
12	Indicator	1	ABS	
13	Shaft cover	1	PVC	
14	Handle	1	ABS	
15	O-ring	1	EPDM	
16	Cap	1	PP	
17	Reinforced ring (Body:PP)	2	S45C+Painting	
18	Insert (Only 450-600A)	8	C3604	
19	Plate	PVC,PP	2	PVC
		PVDF	1	SUS316
20	Cap	8	Elastomer	
21	Cap	8	Soft PVC	

A (B)	M			Q'ty of a through hole			Insert		L1	L2
	JIS	ANSI	DIN	JIS	ANSI	DIN	Upper	Lower		
450 (18)	M24	UNC1-1/8	M24	16	12	16	2x2	2x2	32	20
500 (20)	M24	UNC1-1/8	M24	16	16	16	2x2	2x2	32	20
600 (24)	M30	UNC1-1/4	M27	20	16	16	2x2	2x2	45	18

Dimension Table

Size	A (B)	L	øD	Flange									H1		H2	P	Q	øS	Gear Box
				JIS10K			ANSI			DIN			PVC, PP	PVDF					
				øC	n-øh	Insert	øC	n-øh	Insert	øC	n-øh	Insert							
□	400 (16)	169	597	510	16-27	-	540	16-29	-	515	16-26	-	204	190	350	120	350	350	Type G
□	450 (18)	179	635	565	16-27	4x2-M24	578	12-32	4x2-UNC1-1/8	565	16-26	4x2-M24	204	190	370	120	350	350	
□	500 (20)	190	700	620	16-27	4x2-M24	635	16-32	4x2-UNC1-1/8	620	16-26	4x2-M24	200	190	410	120	321	410	
□	600 (24)	209	815	730	20-33	4x2-M30	749	16-35	4x2-UNC1-1/4	725	16-30	4x2-M27	200	190	465	120	321	410	

Unit:mm

Note) Flange dimension is in accordance with the following standard; JIS B2220. ASME/ANSI B16.5-1981class150. DIN EN 1092-1

Client name		Date
Flange Standard		□JIS10K □ANSI □DIN
Approved by:		
ESLON Butterfly Valve		
Pla-Gear Type 400 (16") - 600 (24")		
Drawing No.	BFPG4H6HE	
SEKISUI SEKISUI CHEMICAL CO.,LTD.		