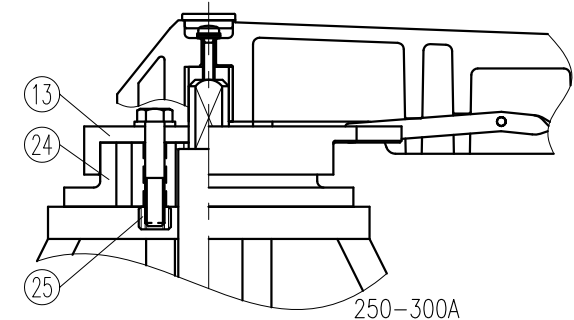


No.	Part Name	QTY	Material/Type
1	Body	1	PVC
2	Disc	1	PP
3	Shaft	1	PVC
4	O-Ring	2	□EPDM
5	O-Ring	1	□FKM
6	Tapping Screw	3	SUS304
7	Lock Plate	1	SUS304
8	Hexagon Bolt	2	SUS304
9	Washer	4	SUS304
10	Nut	2	SUS304
11	Handle	1	ABS
12	Handle Insert	1	SUS304
13	Indicator Plate	1	PVC
14	Thrust Ring	1	SUS304
15	Washer	1	SUS304
16	Spring washer	1	SUS304
17	Cap	1	PP
18	Machine Screw	1	SUS304
19	Flat Spring	1	SUS304-CSP
20	Lever	1	SUS304
21	Pin Cover	1	PP
22	Spring Pin	1	SUS304
23	Handle Washer	1	PP
24	Yoke (250,300A)	1	PVC
25	Insert (250,300A)	2	C3604



Dimension Table

Unit: mm

Size	A (B)	Ød	L	ØD	Flange				H	H ₁	H ₂	H ₃	W	C
					JIS10K		JIS5K							
					ØC	n-Øh	ØC	n-Øh						
□ 40 (1·1/2)		46	31±1.5	140	105	4-19	95	4-15	217	174	148	98	101	202
□ 50 (2)		58	40±1.5	155	120	4-19	105	4-15	232	189	156	105	101	202
□ 65 (2 1/2)		72	43±1.5	178	140	4-19	130	4-15	253	210	166	116	101	202
□ 80 (3)		81	46±1.5	196	150	8-19	145	4-19	268	222	173	123	101	202
□ 100 (4)		101	52±1.5	229	175	8-19	165	8-19	306	263	192	143	123	245
□ 125 (5)		127	56±1.5	254	210	8-23	200	8-19	347	294	220	159	155	310
□ 150 (6)		152	60±1.5	286	240	8-23	230	8-19	372	319	229	168	155	310
□ 200 (8)		200	71±1.5	343	290	12-23	280	8-23	466	399	297	220	200	400
□ 250 (10)		246	76±1.5	410	355	12-25	-	-	566	500	366	300	200	400
□ 300 (12)		301	114±1.5	485	400	16-25	-	-	633	567	396	330	200	400

Note) Bolt hole dimension is in accordance with the following standard;
JIS B 2220 for JIS10K, JIS5K

Client name		Date
Flange Standard <input type="checkbox"/> JIS10K <input type="checkbox"/> JIS5K		Approved by:
ESLON ROTARY DAMPER 40A-300A Drawing No. RD403HE-0		
SEKISUI SEKISUI CHEMICAL CO.,LTD.		