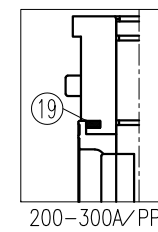


No.	Part Name	Q'ty	Material Type
1	Body	1	Body/Disc □PVC/PP
2	Disc	1	□PP/PP □PVDF/PVDF
3	Shaft	1	□SUS420J2 □SUS316
4	Seat Ring	1	□EPDM
5	O-Ring	1	□FKM
6	O-Ring	2	
7	Cap	1	PP
8	Washer	4	SUS304
9	Spring Washer	4	SUS304
10	Hexagon Bolt	4	SUS304
11	Yoke	※1	PVC
12	Connector	1	SUS303
13	Bolt	※2	SUS304
14	Reduction gear	1	FCD450+ Paint
15	Gasket	1	EPDM
16	Pin	1	SUS304
17	Cap	1	FC200
18	Handle	1	ABS
19	Reinforced Ring (200A Body:PP)	1	S45C+Plating

※1 40A~80A: 1, 100A~300A: 2
※2 40A~80A: 4, 100A~300A: 8



Dimension Table

Unit: mm

Size	A (B)	ϕd	L	ϕD			Flange								h		ϕS
				PVC	PP	PVDF	JIS10K		ANSI		DIN		WaterSupply		Cap	Handle	
							ϕC	n- ϕh	ϕC	n- ϕh	ϕC	n- ϕh	ϕC	n- ϕh			
□ 40 (1-1/2)	45	33±1.5	140	138	136	105	4-19	98.5	4-16	110	4-18	-	-	303	257	148	
□ 50 (2)	57	43±1.5	155	152	150	120	4-19	120.5	4-19	125	4-18	120	4-19	310	265	148	
□ 65 (2 1/2)	71	46±1.5	178	174	174	140	4-19	139.5	4-19	145	4-18	-	-	321	275	148	
□ 80 (3)	80	46±1.5	196	192	190	150	8-19	152.5	4-19	160	8-18	168	4-19	328	282	148	
□ 100 (4)	100	52±1.5	229	225	223	175	8-19	190.5	8-19	180	8-18	195	4-19	366	320	148	
□ 125 (5)	125	56±1.5	254	249	251	210	8-23	216.0	8-22	210	8-18	220	6-19	389	360	210	
□ 150 (6)	150	60±1.5	286	280	278	240	8-23	241.5	8-22	240	8-22	247	6-19	398	369	210	
□ 200 (8)	198	71±1.5	343	336	331	290	12-23	298.5	8-22	295	8-22	299	8-19	450	421	210	
□ 250 (10)	246	78±1.5	410	402	397	355	12-25	362.0	12-25	350	12-22	360	8-23	517	510	260	
□ 300 (12)	299	114±1.5	485	477	474	400	16-25	432.0	12-25	400	12-22	-	-	547	540	260	

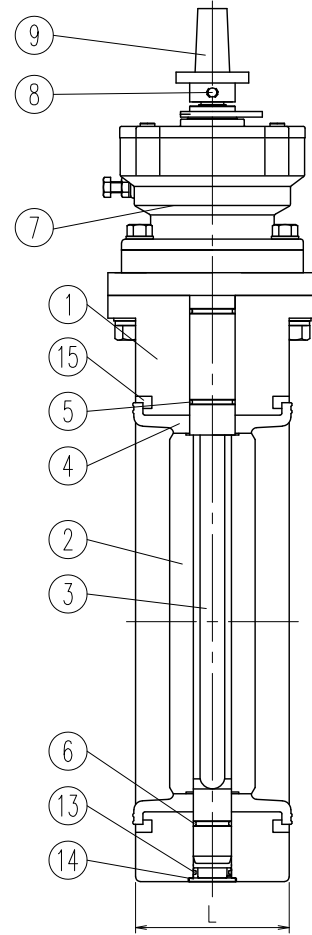
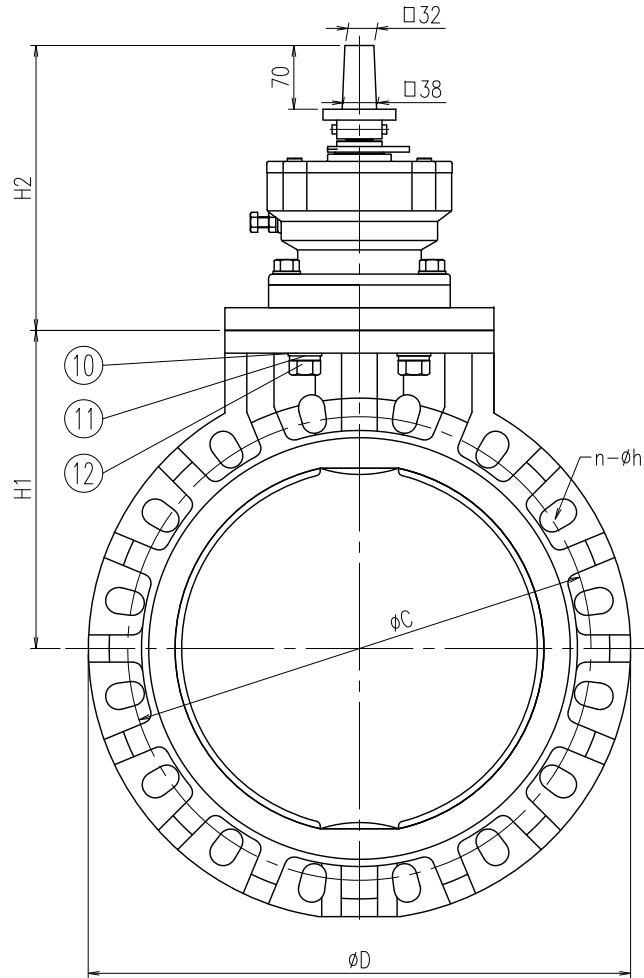
Note) Flange dimension is in accordance with the following standard

JIS B 2220 for JIS10K, ANSI B16.5 for ANSI, DIN2501 PN10/PN16 (ISO7005 PN10) for DIN, JWWA G113 for Water Supply.

Client name		Date
Flange Standard	□JIS10K □ANSI □DIN	Approved by:
	□Water supply	
Operation Type	□Cap □Handle	
Rinsed	□YES	
ESLON Butterfly Valve for Under Ground Cap Type/Handle Type 40A-300A		
Drawing No.	BFM403HE	
SEKISUI SEKISUI CHEMICAL CO.,LTD.		

350A

400A



No.	Part Name	Q'ty	Material Type
1	Body	1	Body/Disc <input type="checkbox"/> PVC/PP
2	Disc	1	<input type="checkbox"/> PP/PP <input type="checkbox"/> PVDF/PVDF
3	Shaft	1	<input type="checkbox"/> SUS420J2 <input type="checkbox"/> SUS316
4	Seat Ring	1	<input type="checkbox"/> EPDM
5	O-Ring	1	<input type="checkbox"/> FKM
6	O-Ring	2	
7	Reduction gear	1	FCD450+Paint
8	Pin	1	SUS304
9	Cap	1	FC200
10	Washer	4	SUS304
11	Spring Washer	4	SUS304
12	Hexagon Bolt	4	SUS304
13	O-Ring	1	EPDM
14	Cap	1	PP
15	Reinforced Ring (Body:PP)	2	S45C+Plating

Dimension Table

Unit: mm

Size	A(B)	L	φD	Flange								H1	H2
				JIS10K		ANSI		DIN		WaterSupply			
				φC	n-φh	φC	n-φh	φC	n-φh	φC	n-φh		
<input type="checkbox"/>	300(14)	129	535	445	16-25	476.2	12-29	460	16-22	472	10-25	325	315
<input type="checkbox"/>	400(16)	169	597	510	16-27	540	16-29	515	16-26	524	12-25	350	315

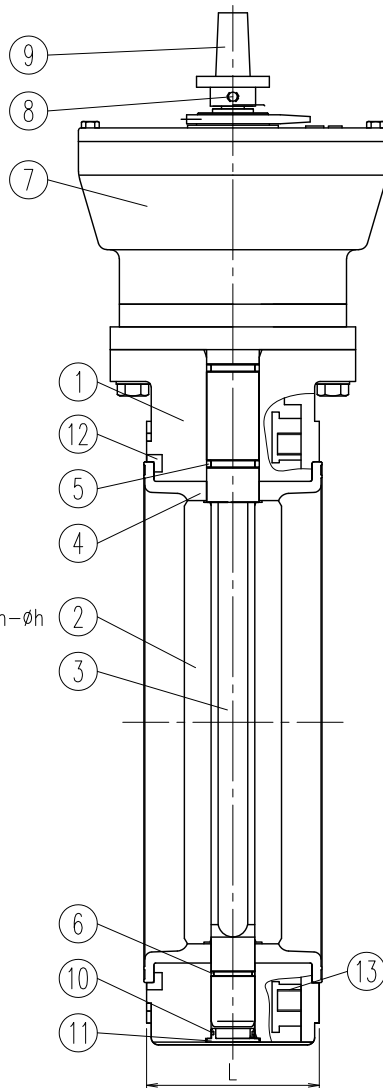
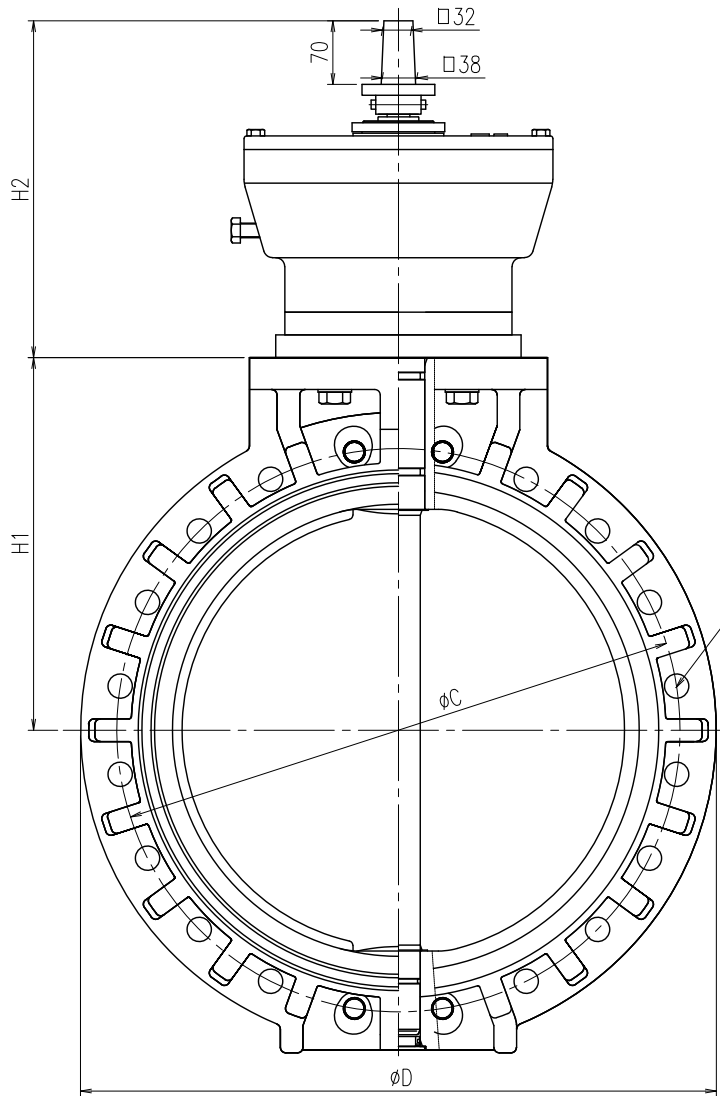
Note) Flange dimension is in accordance with the following standard
JIS B 2220, ANSI B16.5, DIN2501 PN10/PN16 (ISO7005 PN10), JWWA B122

Client name		Date
Flange Standard	<input type="checkbox"/> JIS10K <input type="checkbox"/> ANSI <input type="checkbox"/> DIN	Approved by:
	<input type="checkbox"/> Water supply	
Rinsed	<input type="checkbox"/> YES	

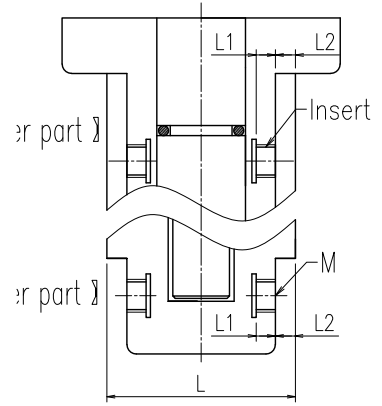
ESLON
Butterfly Valve for Under Ground
Cap Type 350A, 400A

Drawing No. BFM3F4HJ

SEKISUI SEKISUI CHEMICAL CO.,LTD.



● The detail view of insert (It is not in Water supply.)



No.	Part Name	Q'ty	Material Type
1	Body	1	Body/Disc □PVC/PP
2	Disc	1	□PP/PP □PVDF/PVDF
3	Shaft	1	□SUS420J2 □SUS316
4	Seat Ring	1	
5	O-Ring	2	□EPDM □FKM
6	O-Ring	1	
7	Reduction gear	1	FCD450
8	Pin	1	SUS304
9	Cap	1	FCD
10	O-Ring	1	EPDM
11	Cap	1	PP
12	Reinforced Ring (Body:PP)	2	S45C+Paint
13	Insert	8	C3604

A (B)	M			Q'ty of a through hole			Insert		L1	L2
	JIS	ANSI	DIN	JIS	ANSI	DIN	Upper	Lower		
450 (18)	M24	UNC1-1/8	M24	16	12	16	2x2	2x2	32	20
500 (20)	M24	UNC1-1/8	M24	16	16	16	2x2	2x2	32	20
600 (24)	M30	UNC1-1/4	M27	20	16	16	2x2	2x2	45	18

Client name		Date
Flange Standard	<input type="checkbox"/> JIS10K <input type="checkbox"/> ANSI <input type="checkbox"/> DIN	Approved by:
	<input type="checkbox"/> Water supply	
Rinsed	<input type="checkbox"/> YES	

Dimension Table Unit: mm

Size	A (B)	L	øD	Flange										H1	H2	
				JIS10K			ANSI			DIN			WaterSupply			
				øC	n-øh	Insert	øC	n-øh	Insert	øC	n-øh	Insert	øC			n-øh
□	450 (18)	179	635	565	16-27	4x2-M24	578	12-32	4x2-UNC1-1/8	565	16-26	4x2-M24	585	12-27	370	371
□	500 (20)	190	700	620	16-27	4x2-M24	635	16-32	4x2-UNC1-1/8	620	16-26	4x2-M24	639	12-27	410	371
□	600 (24)	209	815	730	20-33	4x2-M30	749	16-35	4x2-UNC1-1/4	725	16-30	4x2-M27	743	16-27	465	371

Note) Flange dimension is in accordance with the following standard
 JIS B 2220, ANSI B16.5, DIN2501 PN10/PN16 (ISO7005 PN10), JWVA B122

ESLON
 Butterfly Valve for Under Ground
 Cap Type 450A-600A
 Drawing No. BFM4F6HJ
SEKISUI SEKISUI CHEMICAL CO.,LTD.