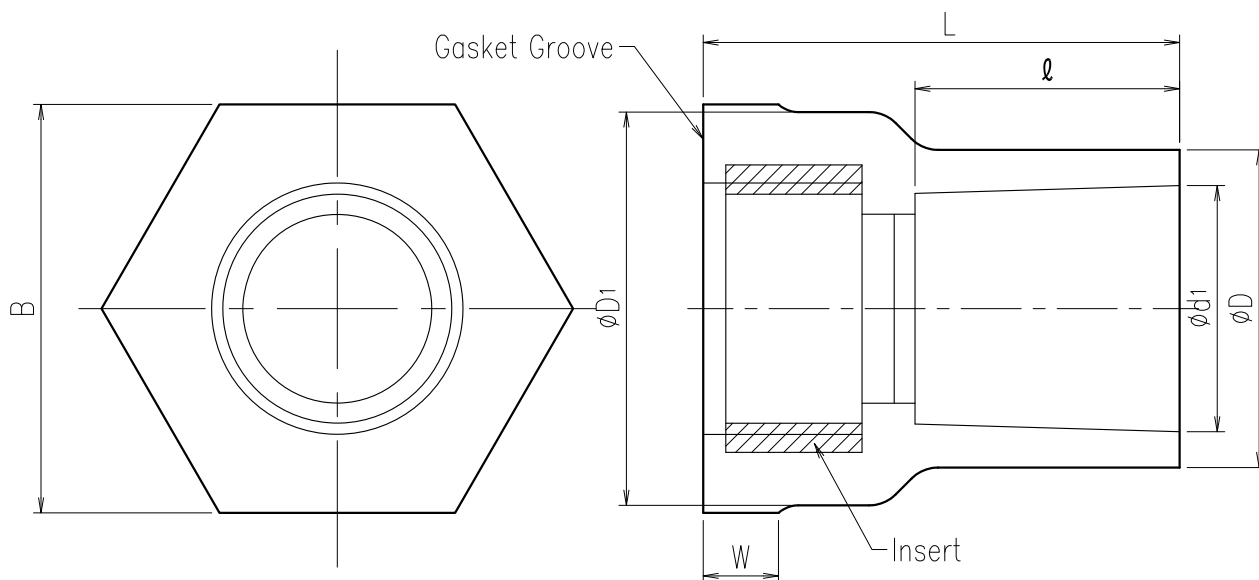


Esloclean
SUS Insert Faucet Socket



Dimension Table

Unit: mm

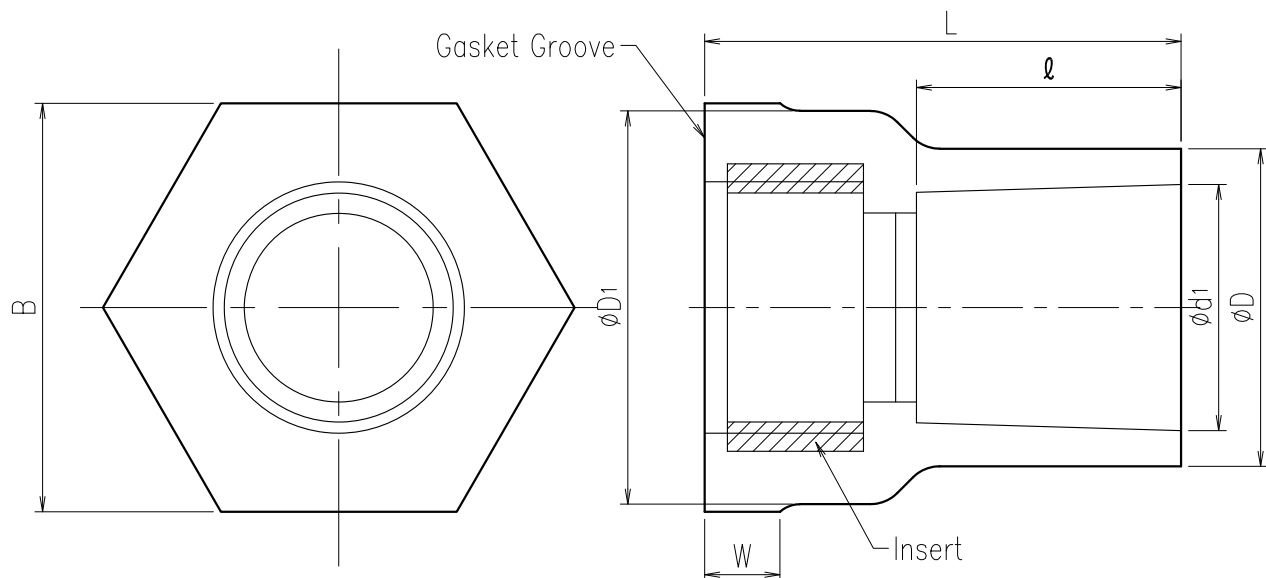
Size	A x Rp	øD	øD1	B	ød1	L	ℓ	W
□	13xRp3/8	27.5	34	35	18.30	46	20	10
□	13xRp1/2	27.5	34	35	18.30	46	20	10
□	16xRp3/8	31.0	34	35	22.35	52	25	10
□	16xRp1/2	31.0	34	35	22.35	52	25	10
□	20xRp1/2	36.0	42	44	26.35	63	35	10
□	20xRp3/4	36.0	42	44	26.35	63	35	10
□	25xRp1	42.0	52	54	32.50	72	40	10

NOTES)

1. The material of the screw part is SUS303.
2. The screw dimensions are in conformity with the parallel female threads of JIS B 0203 (Taper pipe threads).
3. Parts of W is hexagon-like.

Esloclean SUS Insert Faucet Socket		図番 WS251TNVE
SEKISUI 積水化学工業株式会社	日付	承認印
	2000.03.28	

HT Clean Fittings
SUS Insert Faucet Socket



Dimension Table

Unit: mm

Size	A x Rp	ϕD	$\phi D1$	B	$\phi d1$	L	ℓ	W
□	16xRp3/8	31.0	34	35	22.35	52	25	10
□	16xRp1/2	31.0	34	35	22.35	52	25	10
□	20xRp1/2	36.0	42	44	26.35	63	35	10
□	20xRp3/4	36.0	42	44	26.35	63	35	10
□	25xRp1	42.0	52	54	32.50	72	40	10

NOTES)

1. The material of the screw part is SUS303.
2. The screw dimensions are in conformity with the parallel female threads of JIS B 0203 (Taper pipe threads).
3. Parts of W is hexagon-like.

HT Clean Fittings SUS Insert Faucet Socket		図番
		WS251TNTE
SEKISUI 積水化学工業株式会社	日付	承認印
	2000.03.28	