

No.	Part Name	Q'TY	Material/Type
1	Body	1	PVC
2	Open ring	1	
3	Cap nut	1	
4	Bonnet	1	
5	Flange end	2	
6	Screen holder with Screen	1	PVC
7	O-ring	1	<input type="checkbox"/> EPDM <input type="checkbox"/> FKM

● Screen mesh		※ 10~100 mesh : SUS304 120 mesh : SUS316
PVDC	SUS※	
<input type="checkbox"/> 10 (25-50A)	<input type="checkbox"/> 10	
<input type="checkbox"/> 20 (25-50A)	<input type="checkbox"/> 20	
<input type="checkbox"/> 30 (Standard)	<input type="checkbox"/> 30	
<input type="checkbox"/> 40	<input type="checkbox"/> 40	
<input type="checkbox"/> 50	<input type="checkbox"/> 50	
<input type="checkbox"/> 60	<input type="checkbox"/> 60	
	<input type="checkbox"/> 70	
	<input type="checkbox"/> 80	
	<input type="checkbox"/> 100	
	<input type="checkbox"/> 120	

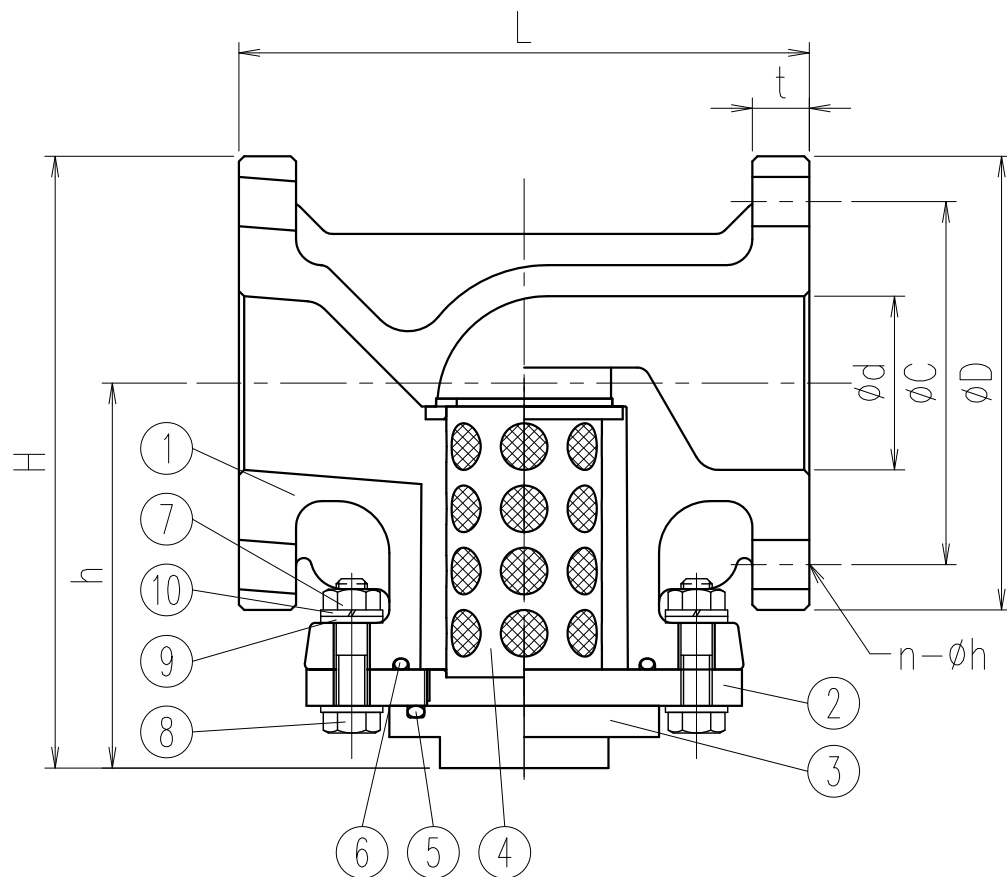
Dimension Table

Unit:mm

Size	A(B)	phi d	L	JIS10K				ANSI				DIN				h
				phi D	phi C	n-phi h	t	phi D	phi C	n-phi h	t	phi D	phi C	n-phi h	t	
<input type="checkbox"/> 15 (1/2)	15	150±1.5	95	70	4-15	14	89.0	60.5	4-16	14	95	65	4-14	14	71	
<input type="checkbox"/> 20 (3/4)	20	158±1.5	100	75	4-15	14	98.0	70.0	4-16	14	105	75	4-14	14	81	
<input type="checkbox"/> 25 (1)	25	177±1.5	125	90	4-19	14	108.0	79.5	4-16	14	115	85	4-16	14	94	
<input type="checkbox"/> 32 (1-1/4)	30	197±1.5	135	100	4-19	16	117.5	89.0	4-16	16	140	100	4-18	16	94	
<input type="checkbox"/> 40 (1-1/2)	40	220±1.5	140	105	4-19	16	127.0	98.5	4-16	16	150	110	4-18	16	118	
<input type="checkbox"/> 50 (2)	50	264±1.5	155	120	4-19	20	152.0	120.5	4-20	20	165	125	4-18	20	137	

Note) Flange dimension is in accordance with the following standard;
 JIS B 2220 for JIS10K, ANSI B16.5 for ANSI and DIN2501 PN10/PN16 (ISO7005 PN10) for DIN

Client name		Date
Flange Standard	<input type="checkbox"/> JIS10K <input type="checkbox"/> ANSI <input type="checkbox"/> DIN	Approved by:
Rinsed	<input type="checkbox"/> YES	
ESLON TRANSPARENT STRAINER FLANGE TYPE SIZE 15 (1/2") - 50 (2")		
Drawing No. SS1550FJE		
SEKISUI SEKISUI CHEMICAL CO.,LTD.		



No.	Part name	Q'ty	Material/Type
1	Body	1	PVC
2	Valve Lid	1	PVC
3	Bonnet	1	PVC
4	Screen Holder with screen	1	PVC
5	O-Ring	1	□EPDM
6	O-Ring	1	□FKM
7	Hexagon Nut	8	SUS304
8	Hexagon Head Bolt	8	SUS304
9	Washer	16	SUS304
10	Spring Washer	8	SUS304

Screen mesh	
PVDC	SUS※
□10	□10
□20	□20
□30 (standard)	□30
□40	□40
□50	□50
□60	□60
	□70
	□80
	□100
	□120

※10~100mesh: SUS304
120mesh: SUS316

Dimension Table

Unit: mm

Size	A (B)	ød	L	FLANGE				H	h
				øD	øC	n-øh	t		
□ 65 (2 1/2)		65	220±1.5	175	140	4-19	22	240	153
□ 80 (3)		80	240±1.5	185	150	8-19	22	253	161
□ 100 (4)		100	290±1.5	210	175	8-19	24	283	178

Note) Flange dimension is in accordance with the following standard; JIS B 2220.

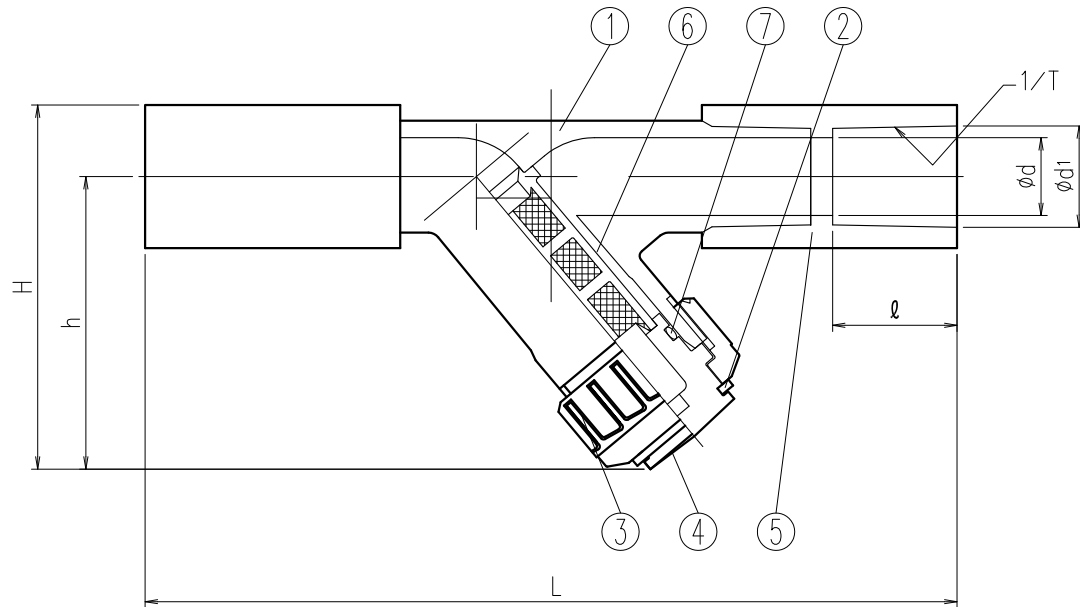
Client name		Date
Oil Free	<input type="checkbox"/> YES	Approved by:

ESLON
Strainer Flange Type 65~100A

Drawing No. | SS651HFE

SEKISUI SEKISUI CHEMICAL CO.,LTD.

No.	Part Name	Q'TY	Material/Type
1	Body	1	PVC
2	Open ring	1	
3	Cap nut	1	
4	Bonnet	1	
5	TS socket	2	
6	Screen holder with Screen	1	
7	O-ring	1	□EPDM □FKM



● Screen mesh	
PVDC	SUS※
□10 (25-50A)	□10
□20 (25-50A)	□20
□30 (Standard)	□30
□40	□40
□50	□50
□60	□60
	□70
	□80
	□100
	□120

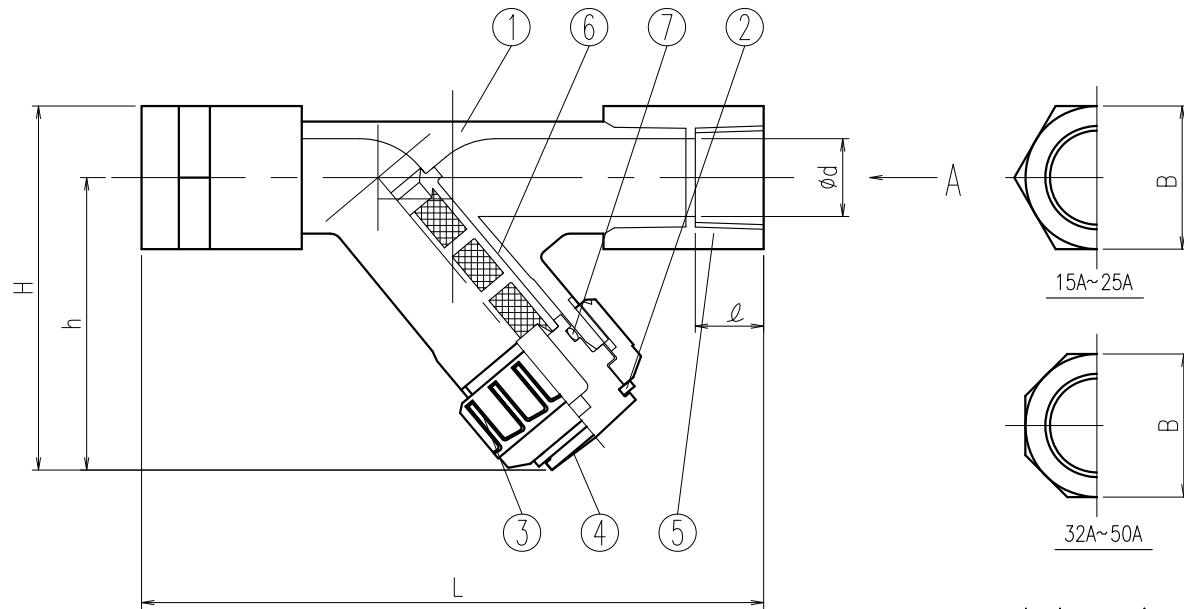
※10~100 mesh: SUS304
120 mesh: SUS316

Dimension Table

Unit:mm

Size	A (B)	ϕd	L	TS socket			H (Ref.)	h (Ref.)
				$\phi d1$	1/T	l		
□ 15 (1/2)	15	15	190	22.4	1/34	30	86	71
□ 20 (3/4)	20	20	210	26.5	1/34	35	98	81
□ 25 (1)	25	25	243	32.6	1/34	40	114	94
□ 32 (1. 1/4)	30	274	38.6	1/34	44	117	94	
□ 40 (1. 1/2)	40	332	48.7	1/37	55	147	118	
□ 50 (2)	50	390	60.8	1/37	63	172	137	

Client name		Date
Rinsed	<input type="checkbox"/> YES	Approved by:
ESLON Transparent Strainer TS Socket SIZE 15 (1/2") - 50 (2")		
Drawing No. SS1550FJE		
SEKISUI SEKISUI CHEMICAL CO.,LTD.		



No.	Part Name	Q'TY	Material/Type
1	Body	1	PVC
2	Open ring	1	
3	Cap nut	1	
4	Bonnet	1	
5	Thread	2	
6	Screen holder with Screen	1	
7	O-ring	1	□EPDM □FKM

●Screen mesh	
PVDC	SUS※
□10 (25-50A)	□10
□20 (25-50A)	□20
□30 (Standard)	□30
□40	□40
□50	□50
□60	□60
	□70
	□80
	□100
	□120

※10~100 mesh: SUS304
120 mesh: SUS316

A-A arrow view

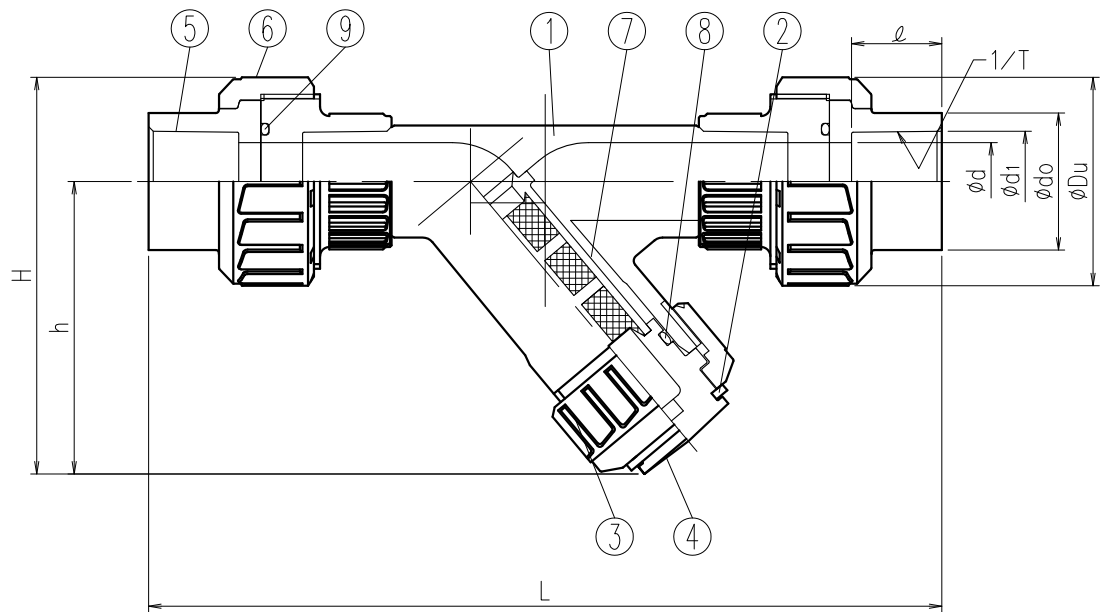
Dimension Table

Unit:mm

Size	A (B)	ød	L	Thread			H (Ref.)	h (Ref.)
				Rc	l	B		
□ 15 (1/2)	15	15	153±3	1/2	16	30	86	71
□ 20 (3/4)	20	20	176±3	3/4	19	36	99	81
□ 25 (1)	25	25	200±3	1	22	46	117	94
□ 32 (1·1/4)	30	30	232±3	1·1/4	26	55	122	94
□ 40 (1·1/2)	40	40	271±3	1·1/2	27	65	151	118
□ 50 (2)	50	50	321±3	2	30	75	175	137

Note) Thread dimension is in accordance with the following standard; JIS B 0203.

Client name		Date
Rinsed	<input type="checkbox"/> YES	Approved by:
ESLON Transparent Strainer Threaded Type SIZE 15 (1/2") -50 (2")		
Drawing No.	SS1550FJE	
SEKISUI SEKISUI CHEMICAL CO.,LTD.		



No.	Part Name	Q'TY	Material/Type
1	Body	1	PVC
2	Open Ring	1	
3	Cap Nut	1	
4	Bonnet	1	
5	TS Socket	2	
6	Union Nut	2	
7	Screen holder with Screen	1	
8	O-Ring	1	□EPDM
9	O-Ring	2	□FKM

●Screen mesh	
PVDC	SUS※
□10 (25-50A)	□10
□20 (25-50A)	□20
□30 (Standard)	□30
□40	□40
□50	□50
□60	□60
	□70
	□80
	□100
	□120

※10~100 mesh: SUS304
120 mesh: SUS316

Dimension Table

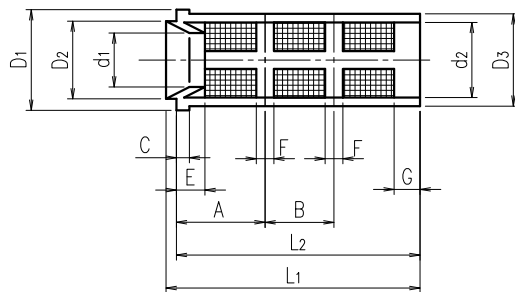
Unit:mm

Size	A (B)	φd	L	TS Socket				H (Ref.)	h (Ref.)	φDu (Ref.)
				φd1	1/T	l	φdo			
□ 15 (1/2)	15	201±3	22.3	1/37	22	33	96	71	49	
□ 20 (3/4)	20	214±3	26.3	1/42	25	35	111	81	59	
□ 25 (1)	25	254±3	32.3	1/43	29	44	128	94	67	
□ 32 (1·1/4)	30	287±3	38.4	1/37	32	54	135	94	98	
□ 40 (1·1/2)	40	301±3	48.5	1/38	35	65	167	118	98	
□ 50 (2)	50	370±3	60.7	1/34	38	77	197	137	120	

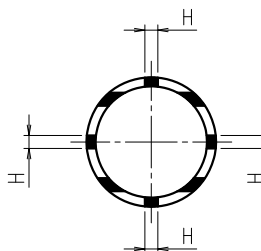
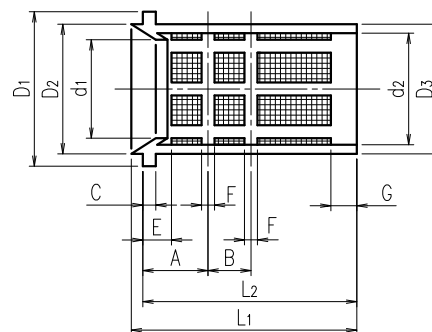
Client name		Date
Rinsed	<input type="checkbox"/> YES	Approved by:

ESLON
Transparent Strainer Union Socket 15-50A
Drawing No. | SS1550UJE

SEKISUI SEKISUI CHEMICAL CO.,LTD.



15-32A



40,50A

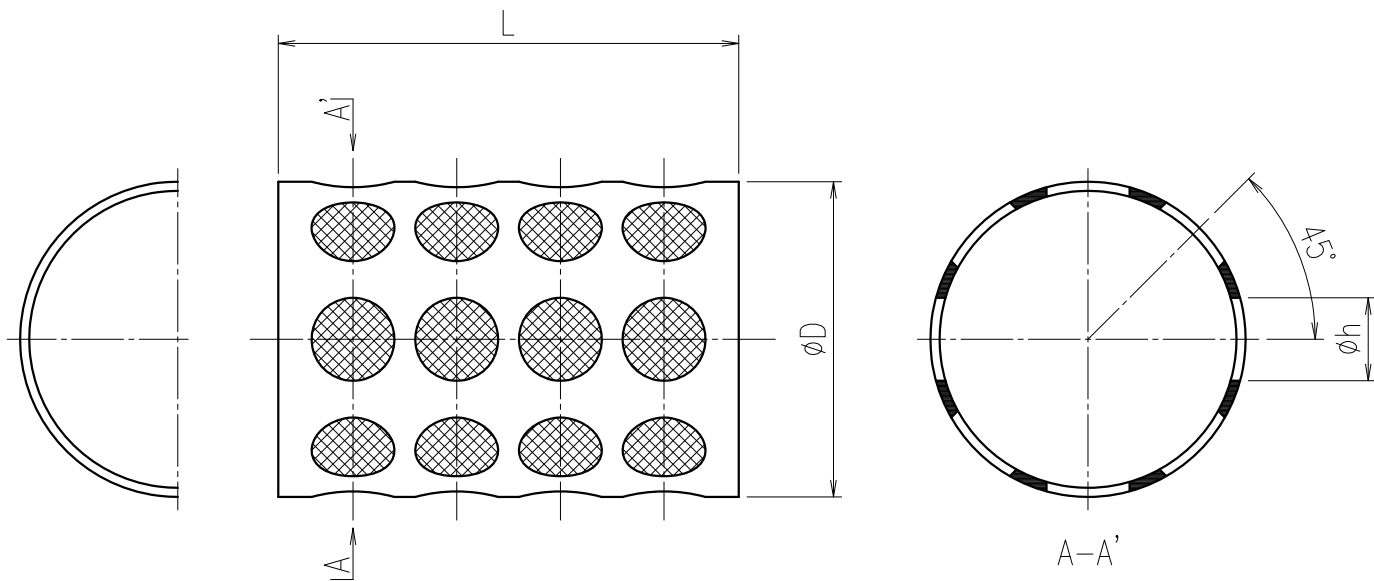
●Screen mesh	
PVDC	SUS※
□10 (25-50A)	□10
□20 (25-50A)	□20
□30 (Standard)	□30
□40	□40
□50	□50
□60	□60
	□70
	□80
	□100
	□120

※10~100 mesh: SUS304
120 mesh: SUS316

unit: mm

Size	A (B)	D1	D2	D3	d1	d2	L1	L2	A	B	C	E	F	G	H
□ 15 (1/2)		19.4	15.0	17.8	10.4	14.5	49.0	47.0	17.1	13.3	2.5	5.5	3.4	5.0	3.4
□ 20 (3/4)		26.5	20.0	22.0	14.0	17.5	58.1	55.6	20.2	15.2	3.0	5.0	3.6	5.0	3.6
□ 25 (1)	32 (1·1/4)	32.1	25.0	27.5	18.5	22.5	67.5	65.0	24.0	18.4	4.0	7.0	3.8	6.0	3.8
□ 40 (1·1/2)		47.0	40.0	42.0	30.5	36.0	78.5	73.5	27.0	20.0	4.5	9.2	4.5	8.5	4.5
□ 50 (2)		59.6	50.0	50.0	38.0	43.0	87.0	82.5	25.1	16.6	5.0	11.0	5.0	10.0	5.0

Client name	Date
Material: PVC	Approved by:
ESLON Screen holder 15-50A	
Drawing No. SSH1550JE	
SEKISUI SEKISUI CHEMICAL CO.,LTD.	



Screen mesh	
PVDC	SUS※
□10	□10
□20	□20
□30 (standard)	□30
□40	□40
□50	□50
□60	□60
	□70
	□80
	□100
	□120

※10~100mesh: SUS304
120mesh: SUS316

Unit:mm

Size	A (B)	L	øD	øh
□	65 (2 1/2)	104.5	60	18
□	80 (3)	111.0	76	20
□	100 (4)	121.0	89	23

Client name	Date
Material:PVC	Approved by:
ESLON	
Screen holder 15-50A	
Drawing No. SSH651HJJ	
SEKISUI SEKISUI CHEMICAL CO.,LTD.	

5-2018.03.23