

No.	Part Name	Q'TY	Material/Type
1	Body	1	
2	Disc	1	
3	Arm	1	
4	Washer	1	□PVC
5	Hexagon Nut	1	□PP
6	Shaft	1	□PVDF
7	Bolt	1	
8	Cover	1	
9	Gasket Holder*	1	
10	Gasket	1	□EPDM □PTFE
11	O-Ring	1	□EPDM
12	O-Ring	1	□EPDM
13	O-Ring	1	□FKM
14	Hexagon Bolt	6	SUS304
15	Washer	12	SUS304
16	Hexagon Nut	6	SUS304

* Only at Body Material/PP: Gasket Holder
Material/PVDF

Dimension Table

Unit:mm

Size	A (B)	φd	L	FLANGE												h	COVER FLANGE		
				JIS10K				ANSI				DIN					φD1	size	Bolt length
				φD	φC	n-φh	t	φD	φC	n-φh	t	φD	φC	n-φh	t				
□ 15(1/2)		21	140±1.5	100	70	4-15	14	-	-	-	-	-	-	-	93	112	M8	30	
□ 20(3/4)		21	140±1.5	100	75	4-15	14	100	70	4-16	14	105	75	4-14	14	93	112	M8	30
□ 25(1)		25	160±1.5	125	90	4-19	14	108	79.5	4-16	14	115	85	4-14	14	118	132	M8	50

Note) 1. Flange dimension is in accordance with the following standard;

JIS B 2220 for JIS10K, ANSI B16.5 for ANSI and DIN2501 PN10/PN16 (ISO7005 PN10) for DIN

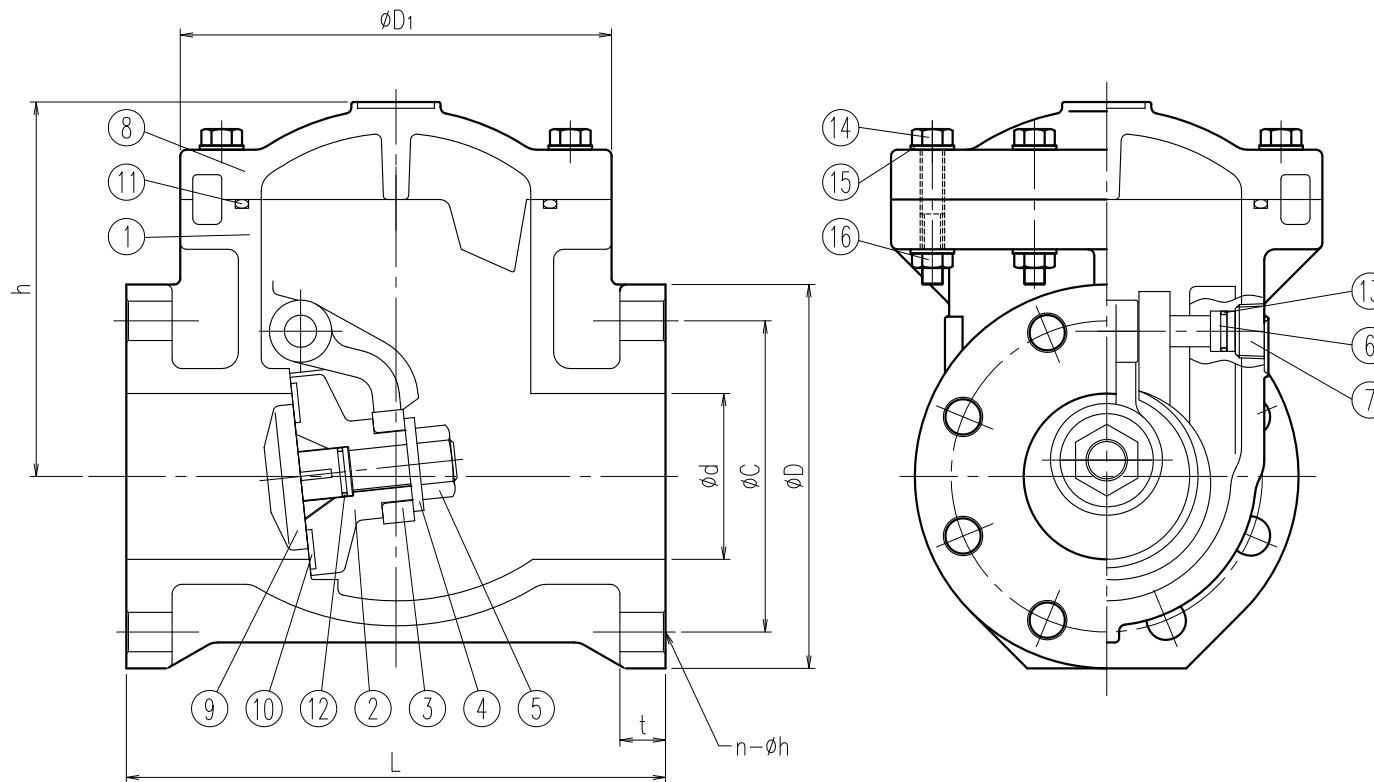
2. Size 15A is same as 20A, it is fabricated to long bolt hole of the flange.

Client name			Date
Flange Standard	□JIS10K □ANSI □DIN	Approved by:	
Rinsed	□YES		

ESLON CHECK VALVE
SWING TYPE SIZE 15(1/2") - 25(1")

Drawing No. SC2025E

SEKISUI SEKISUI CHEMICAL CO.,LTD.



No.	Part Name	Q'TY	Material/Type
1	Body	1	
2	Disc	1	
3	Arm	1	
4	Washer	1	□PVC
5	Hexagon Nut	1	□PP
6	Shaft	1	□PVDF
7	Plug	1	
8	Cover	1	
9	Gasket Holder*2	1	
10	Gasket	1	□EPDM □PTFE
11	O-Ring	1	□EPDM
12	O-Ring	1	□EPDM
13	O-Ring	1	□FKM
14	Hexagon Bolt	*1	SUS304
15	Washer	*1	SUS304
16	Hexagon Nut	*1	SUS304

*1 Q'ty of Bolts & Nuts are shown table.
 *2 Only at Body Material/PP: Gasket Holder Material/PVDF (150,200A)

Dimension Table

Unit:mm

Size	A(B)	ϕd	L	FLANGE												h	COVER FLANGE					
				JIS10K				ANSI				DIN					ϕD_1	Size	Bolt		Nut	Washer
				ϕD	ϕC	$n-\phi h$	t	ϕD	ϕC	$n-\phi h$	t	ϕD	ϕC	$n-\phi h$	t				Length	Q'ty		
□ 32(1.1/4)	40	180±1.5	140	100	4-19	18	127	89.5	4-16	18	140	100	4-18	18	136	148	M8	55	6	6	12	
□ 40(1.1/2)	40	180±1.5	140	105	4-19	18	127	98.5	4-16	18	140	110	4-18	18	136	148	M8	55	6	6	12	
□ 50(2)	51	200±1.5	155	120	4-19	20	152	120.5	4-19	20	165	125	4-18	20	152	180	M10	65	8	8	16	
□ 65(2.1/2)	67	240±1.5	175	140	4-19	22	178	139.5	4-19	22	185	145	4-18	22	166	200	M10	65	8	8	16	
□ 80(3)	80	260±1.5	185	150	8-19	22	190.5	152.5	4-19	22	200	160	8-18	22	178	208	M10	65	8	8	16	
□ 100(4)	100	300±1.5	210	175	8-19	24	229	190.5	8-19	24	220	180	8-18	24	213	265	M12	75	12	12	24	
□ 125(5)	125	350±1.5	250	210	8-23	24	254	216.0	8-23	24	250	210	8-18	24	247	330	M16	80	12	12	24	
□ 150(6)	150	400±1.5	280	240	8-23	26	280	241.5	8-23	26	285	240.7	8-22	26	280	375	M16	80	12	12	24	
□ 200(8)	200	500±1.5	330	290	12-23	30	343	298.5	8-23	30	340	295	8-22	30	329	425	M16	90	16	16	32	

Note) 1. Flange dimension is in accordance with the following standard;
 JIS B 2220 for JIS10K, ANSI B16.5 for ANSI and DIN2501 PN10/PN16 (ISO7005 PN10) for DIN
 2. Size 32A is same as 40A, it is fabricated to long bolt hole of the flange.

Client name		Date
Flange Standard	<input type="checkbox"/> JIS10K <input type="checkbox"/> ANSI <input type="checkbox"/> DIN	Approved by:
Rinsed	<input type="checkbox"/> YES	

ESLON CHECK VALVE
 SWING TYPE SIZE 32(1.1/4") -200(8")
 Drawing No. SC402HE
SEKISUI SEKISUI CHEMICAL CO.,LTD.