

No.	Part Name	Q'TY	Material/Color
1	Body	1	
2	Ball	1	□PVC
3	Seat Carrier	1	□HT
4	Union Nut	2	□PP
5	Flange End	2	□PVDF
6	Set Ring	2	
7	Seat Carrier O-Ring	1	
8	Union O-Ring	1	□EPDM
9	Seat	1	□FKM

Dimension Table

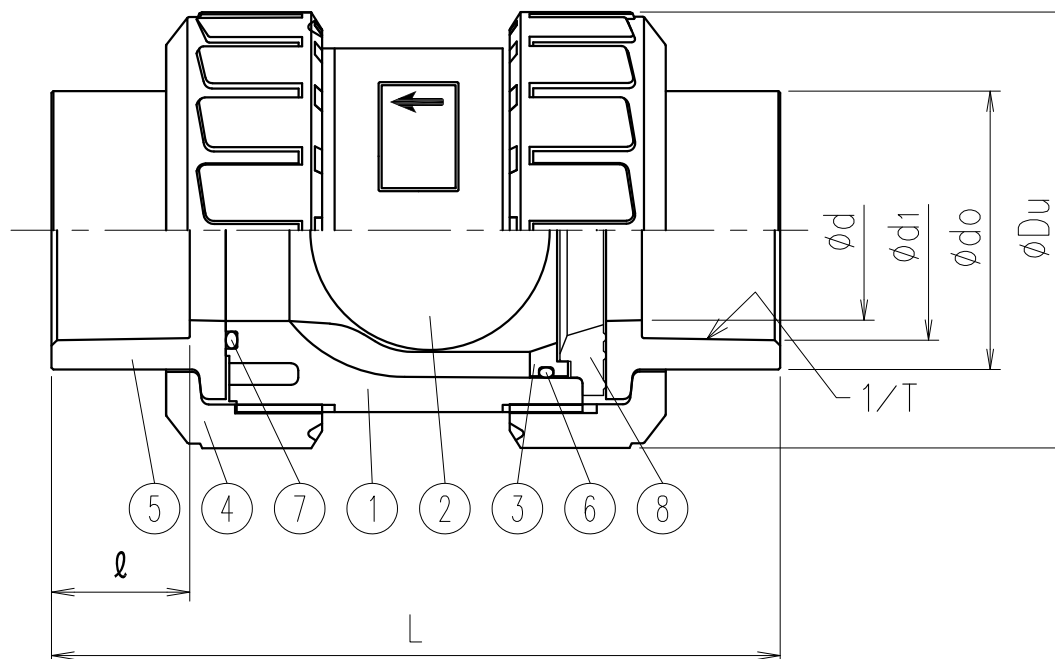
Unit: mm

Size	A(B)	ϕd	ϕDu	L	Flange											
					JIS10K				ANSI				DIN			
					ϕD	ϕC	n- ϕh	t	ϕD	ϕC	n- ϕh	t	ϕD	ϕC	n- ϕh	t
□ 15(1/2)	16	49	135	95	70	4-15	14	89.0	60.5	4-16	11.5	95	65	4-14	11	
□ 20(3/4)	20	59	160	100	75	4-15	14	98.0	70.0	4-16	13.0	105	75	4-14	12	
□ 25(1)	25	67	170	125	90	4-19	14	108.0	79.5	4-16	14.5	115	85	4-14	14	
□ 32(1-1/4)	32	81	177	135	100	4-19	16	117.5	89.0	4-16	16.0	140	100	4-18	15	
□ 40(1-1/2)	40	98	205	140	105	4-19	16	127.0	98.5	4-16	17.5	150	110	4-18	16	
□ 50(2)	50	120	230	155	120	4-19	20	152.0	120.5	4-19	19.5	165	125	4-18	18	

Note) Flange dimension is in accordance with the following standard; JIS B2220, ASME/ANSI B16.5, DIN EN 1092-1

Client name		Date
Flange Standard	□JIS10K □ANSI □DIN	Approved by:
Oil Free	□YES	
ESLON True Union Check Valve Ball Type JIS10K Flange Type 15-50A		
Drawing No.	TCV1550FE	
SEKISUI SEKISUI CHEMICAL CO.,LTD.		

No.	Part Name	Q'TY	Material/Color
1	Body	1	
2	Ball	1	
3	Seat Carrier	1	□PVC
4	Union Nut	2	□HT (JIS only)
5	Socket	2	
6	Seat Carrier O-Ring	1	□EPDM
7	Union O-Ring	1	□FKM
8	Seat	1	



Dimension Table

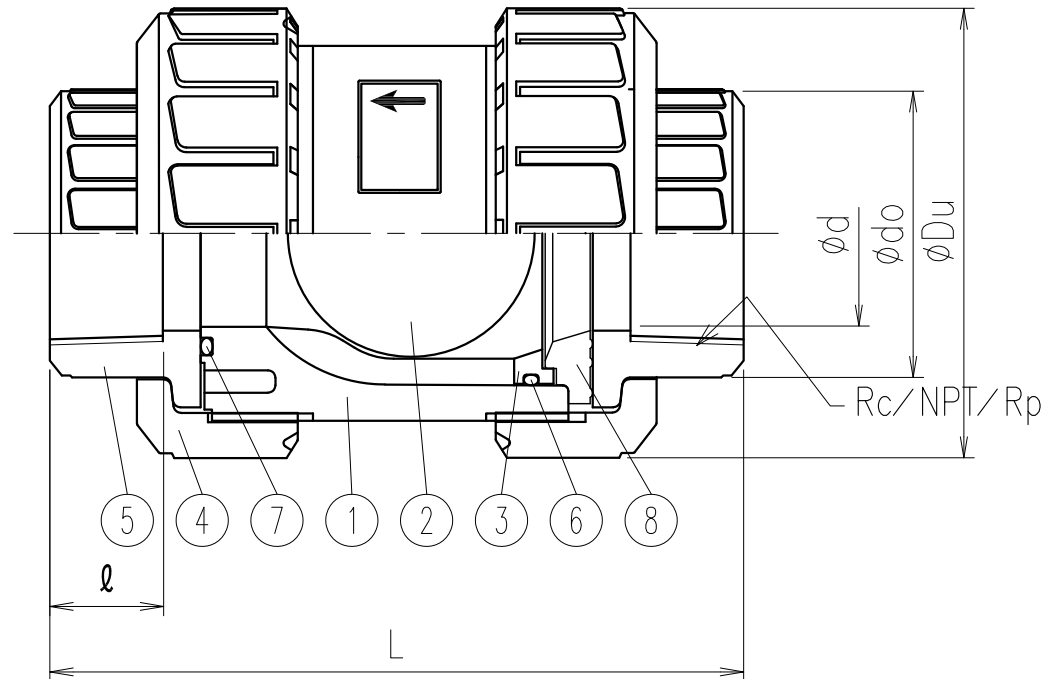
Unit: mm

Size	A(B)	ϕd	ϕDu	L			Socket											
				JIS	ASTM	DIN	JIS				ASTM				DIN			
							$\phi d1$	1/T	l	ϕdo	$\phi d1$	1/T	l	ϕdo	$\phi d1$	1/T	l	ϕdo
□ 15 (1/2)		16	49	101	95	84	22.3	1/37	22	33	21.54	1/72	22.22	33	20.3	1/65	16	33
□ 20 (3/4)		20	59	121	108	96	26.3	1/42	25	35	26.87	1/85	25.40	35	25.3	1/80	19	35
□ 25 (1)		25	67	125	115	103	32.3	1/43	29	44	33.65	1/75	28.58	44	32.3	1/95	22	44
□ 32 (1.1/4)		32	81	153	134	124	38.4	1/37	32	54	42.42	1/84	31.75	54	40.3	1/115	26	54
□ 40 (1.1/2)		40	98	169	165	155	48.5	1/38	35	66	48.56	1/78	34.93	66	50.3	1/140	31	66
□ 50 (2)		50	120	200	185	186	60.6	1/34	38	77	60.63	1/83	38.10	77	63.3	1/175	38	77

Note) Socket dimension is in accordance with the following standard; ASTM D2467, DIN8063

Client name				Date
Socket Standard				□JIS □ASTM □DIN
Oil Free				□YES
ESLON True Union Check Valve Ball Type				Approved by:
Socket Type 15-50A				
Drawing No.		TCV1550SE		
SEKISUI SEKISUI CHEMICAL CO.,LTD.				

No.	Part Name	Q'TY	Material/Color
1	Body	1	□PVC □PVDF
2	Ball	1	
3	Seat Carrier	1	
4	Union Nut	2	
5	Thread	2	
6	Seat Carrier O-Ring	1	□EPDM □FKM
7	Union O-Ring	1	
8	Seat	1	



Dimension Table

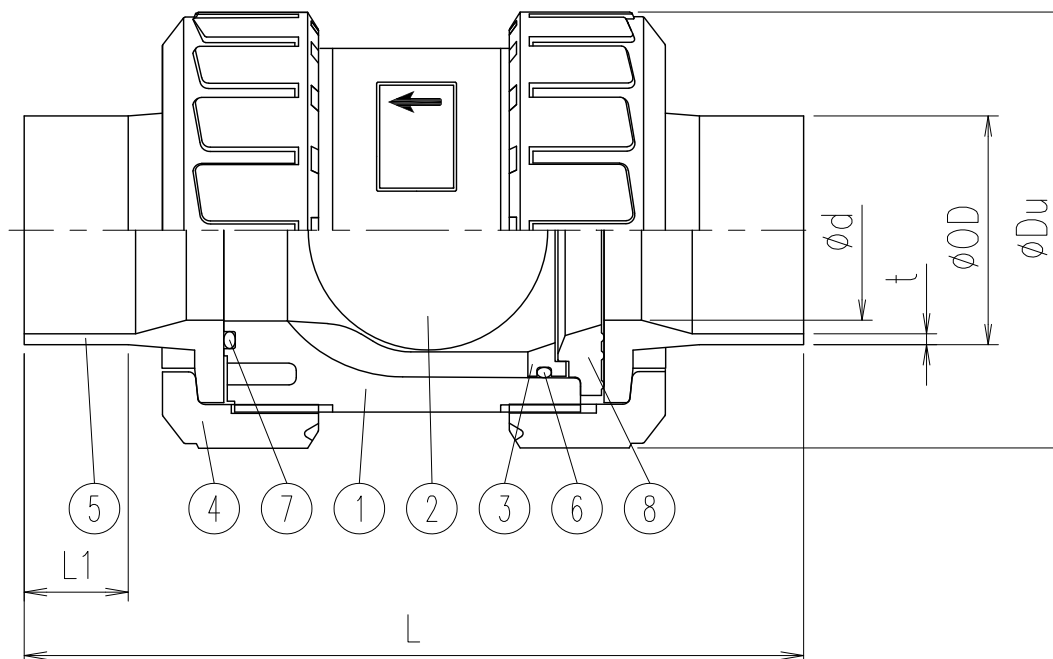
Unit: mm

Size	A(B)	φd	φDu	L				φdo	Thread		
				PVC		PVDF			JIS,DIN	ANSI	DIN
				PVC	PVDF	PVC	PVDF		Rc	NPT	Rp
□ 15 (1/2)		16	49	90	92	18	20	30	1/2	1/2	1/2
□ 20 (3/4)		20	59	106	105	18	22	35	3/4	3/4	3/4
□ 25 (1)		25	67	112	120	23	24	44	1	1	1
□ 32 (1-1/4)		32	81	132	134	23	25	54	1-1/4	1-1/4	1-1/4
□ 40 (1-1/2)		40	98	158	164	25	28	65	1-1/2	1-1/2	1-1/2
□ 50 (2)		50	120	186	194	30	30	77	2	2	2

Note) Thread dimension is in accordance with the following standard; JIS B0203, ANSI B1.20.1, DIN2999

Client name		Date
Thread Standard	<input type="checkbox"/> Rc <input type="checkbox"/> NPT <input type="checkbox"/> Rp	Approved by:
Oil Free	<input type="checkbox"/> YES	
ESLON True Union Check Valve Ball Type Thread Type 15-50A		
Drawing No.	TCV1550NE	
SEKISUI SEKISUI CHEMICAL CO.,LTD.		

No.	Part Name	Q'TY	Material/Color
1	Body	1	
2	Ball	1	
3	Seat Carrier	1	□PP
4	Union Nut	2	□PVDF
5	Butt Spigot	2	
6	Seat Carrier O-Ring	1	□EPDM
7	Union O-Ring	1	□FKM
8	Seat	1	



Dimension Table

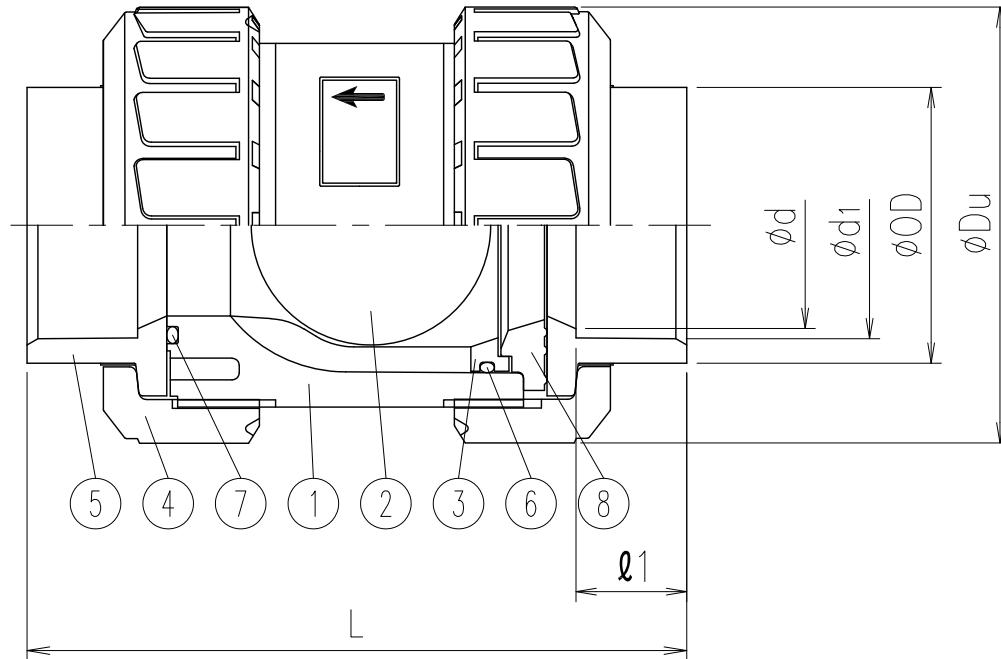
Unit: mm

Size	A(B)	ød	L	øDu	Butt Spigot					
					PP			PVDF		
					L1	øOD	t	L1	øOD	t
□ 15 (1/2)	16	135	48	30	20	1.9	30	20	1.9	
□ 20 (3/4)	20	141	59	24	25	2.3	24	25	1.9	
□ 25 (1)	25	143	65	24	32	2.9	24	32	2.4	
□ 32 (1-1/4)	32	154	80	25	40	3.7	25	40	2.4	
□ 40 (1-1/2)	40	184	96	24	50	4.6	24	50	3.0	
□ 50 (2)	50	213	119	28	63	5.8	28	63	3.0	

Note) Butt Spigot dimension is in accordance with the following standard;ISO10931

Client name		Date
Oil Free	<input type="checkbox"/> YES	Approved by:
ESLON True Union Check Valve Ball Type Butt Spigot Type 15-50A		
Drawing No. TCV1550BE		
SEKISUI SEKISUI CHEMICAL CO.,LTD.		

No.	Part Name	Q'TY	Material/Color
1	Body	1	PP
2	Ball	1	
3	Seat Carrier	1	
4	Union Nut	2	
5	Socket	2	
6	Seat Carrier O-Ring	1	<input type="checkbox"/> EPDM
7	Union O-Ring	1	<input type="checkbox"/> FKM
8	Seat	1	



Dimension Table

Unit: mm

Size	A(B)	ød	øDu	L	Socket Welding		
					ød1	ø1	øOD
<input type="checkbox"/> 15 (1/2)	16	16	49	98±3.0	19.5	17.5	27
<input type="checkbox"/> 20 (3/4)	20	20	59	103±3.0	24.5	19.0	33
<input type="checkbox"/> 25 (1)	25	25	67	109±3.0	31.5	21.0	41
<input type="checkbox"/> 32 (1-1/4)	32	32	81	127±3.0	39.4	23.5	50
<input type="checkbox"/> 40 (1-1/2)	40	40	98	155±3.0	49.4	26.5	61
<input type="checkbox"/> 50 (2)	50	50	120	181±3.0	62.5	30.5	76

Client name		Date
Oil Free	<input type="checkbox"/> YES	Approved by:
ESLON True Union Check Valve Ball Type Socket Welding Type 15-50A		
Drawing No.	TCV1550PE	
SEKISUI SEKISUI CHEMICAL CO.,LTD.		