

No.	Part Name	QTY	Material
1	Body	1	Body/O-Ring-Gasket □PVC/EPDM □PVC/FKM
2	Diaphragm	1	
3	Thrust Ring	1	
4	O-Ring	3	
5	Gasket	1	
6	O-Ring	4	
7	O-Ring	3	
8	Flange	2	
9	Union Nut	2	
10	O-Ring	2	
11	Manual Operation Device	1	PA
12	Spring	1	SUS304CSP
13	Plug	1	PTFE
14	Disc	1	PVDF
15	Restrictor	1	PVDF
16	Terminal Stand	-	-
17	Solenoid	1	Epoxy
18	Flapper	1	SS400+Ni Coated
19	Reinforcing Plate	1	SUS316
20	Orifice Plug	2	PVDF
21	Set Ring	2	PVDF
22	DIN Connector	1	PA
23	Slotted Head Screw	4	SUS316
24	Hexagon Socket Head Cap Screws	4	SUS316
25	Washer	4	SUS316
26	Insert Nut	4	SUS316
27	Insert Nut	2	SUS316

Notes) A cable should surely use ø4.5-10.

Dimension Table

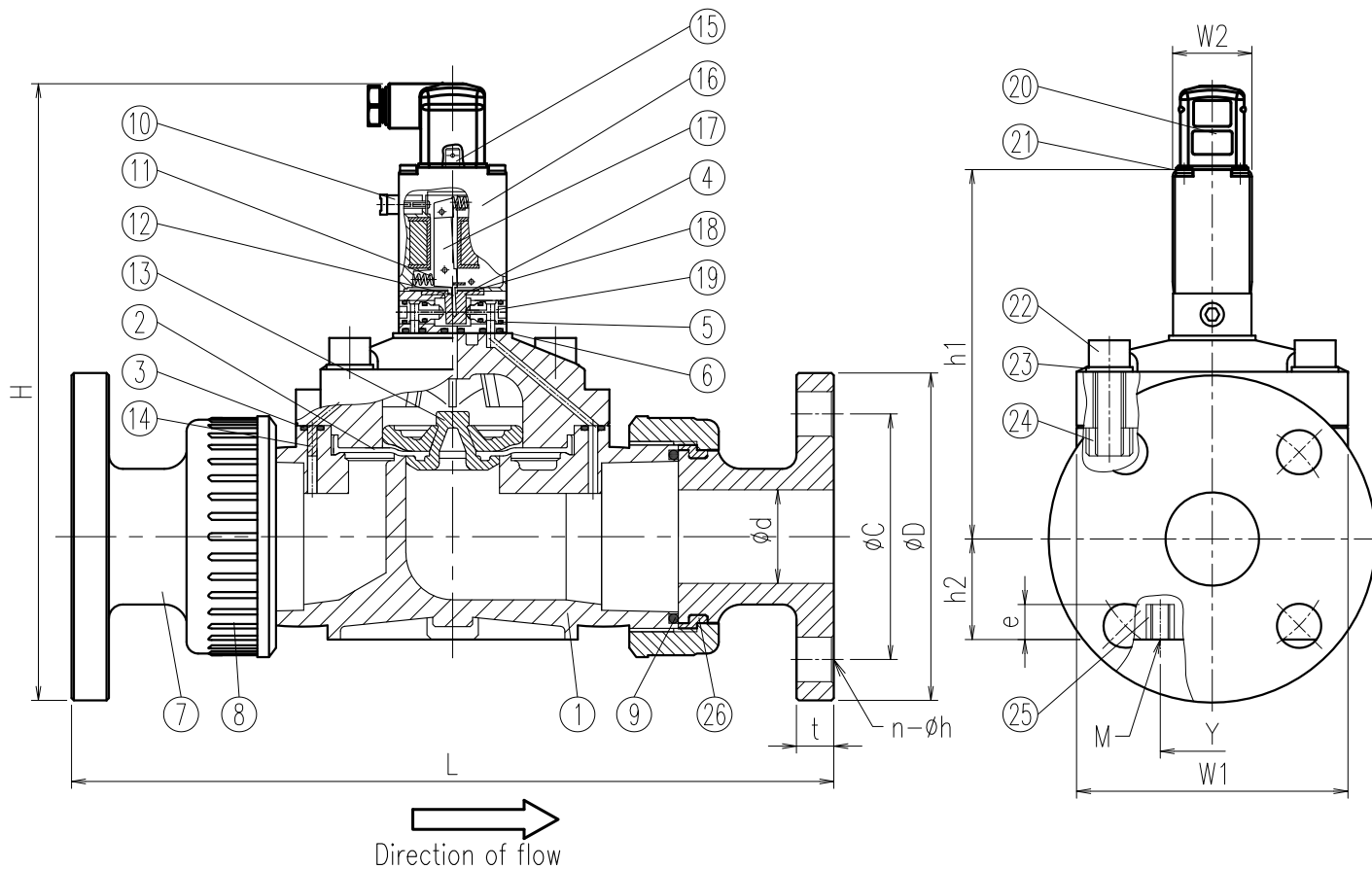
Unit: mm

Size	A(B)	ød	L	Flange				H	h1	h2	W1	W2	Fixing Insert Nut		Weight kg/unit	Cv Value	Pressure Range MPa (at20°C)
				øD	øC	n-øh	t						Y	Mxe			
□	15 (1/2)	16	215±3.0	95	70	4-15	14	208	122	22	62.5	34	40	M5x8	0.65	5.8	0.05~0.6
□	20 (3/4)	20	215±3.0	100	75	4-15	14	210	122	22	62.5	34	40	M5x8	0.65	7.0	0.05~0.6

Note) 1. Flange dimension is in accordance with the following standard; JIS B2220: 2004
 2. If a fixing insert bolt is used, it should not be screwed in beyond dimension e.

Client name		Date
Voltage	<input type="checkbox"/> AC100V	Approved by:
	<input type="checkbox"/> AC200V	
	<input type="checkbox"/> DC24V	

ESLON	
Solenoid Valve Type142 Flange Type 15-20A	
Drawing No.	S41520FE
SEKISUI SEKISUI CHEMICAL CO.,LTD.	



No.	Part Name	QTY	Material
1	Body	1	Body/O-Ring-Gasket □PVC/EPDM □PVC/FKM
2	Diaphragm	1	
3	O-Ring	2	
4	Gasket	1	
5	O-Ring	4	
6	O-Ring	3	
7	Flange	2	PA
8	Union Nut	2	
9	O-Ring	2	SUS304CSP
10	Manual Operation Device	1	
11	Spring	1	PTFE
12	Plug	1	
13	Disc	1	PVDF
14	Restrictor	1	
15	Terminal Stand	-	-
16	Solenoid	1	Epoxy
17	Flapper	1	SS400+ Ni Coated
18	Reinforcing Plate	1	SUS316
19	Orifice Plug	2	PVDF
20	DIN Connector	1	PA
21	Slotted Head Screw	4	SUS316
22	Hexagon Socket Head Cap Screws	4	SUS316
23	Washer	4	SUS316
24	Insert Nut	4	SUS316
25	Insert Nut	2	SUS316
26	Set Ring	2	PVDF

Notes) A cable should surely use $\phi 4.5-10$.

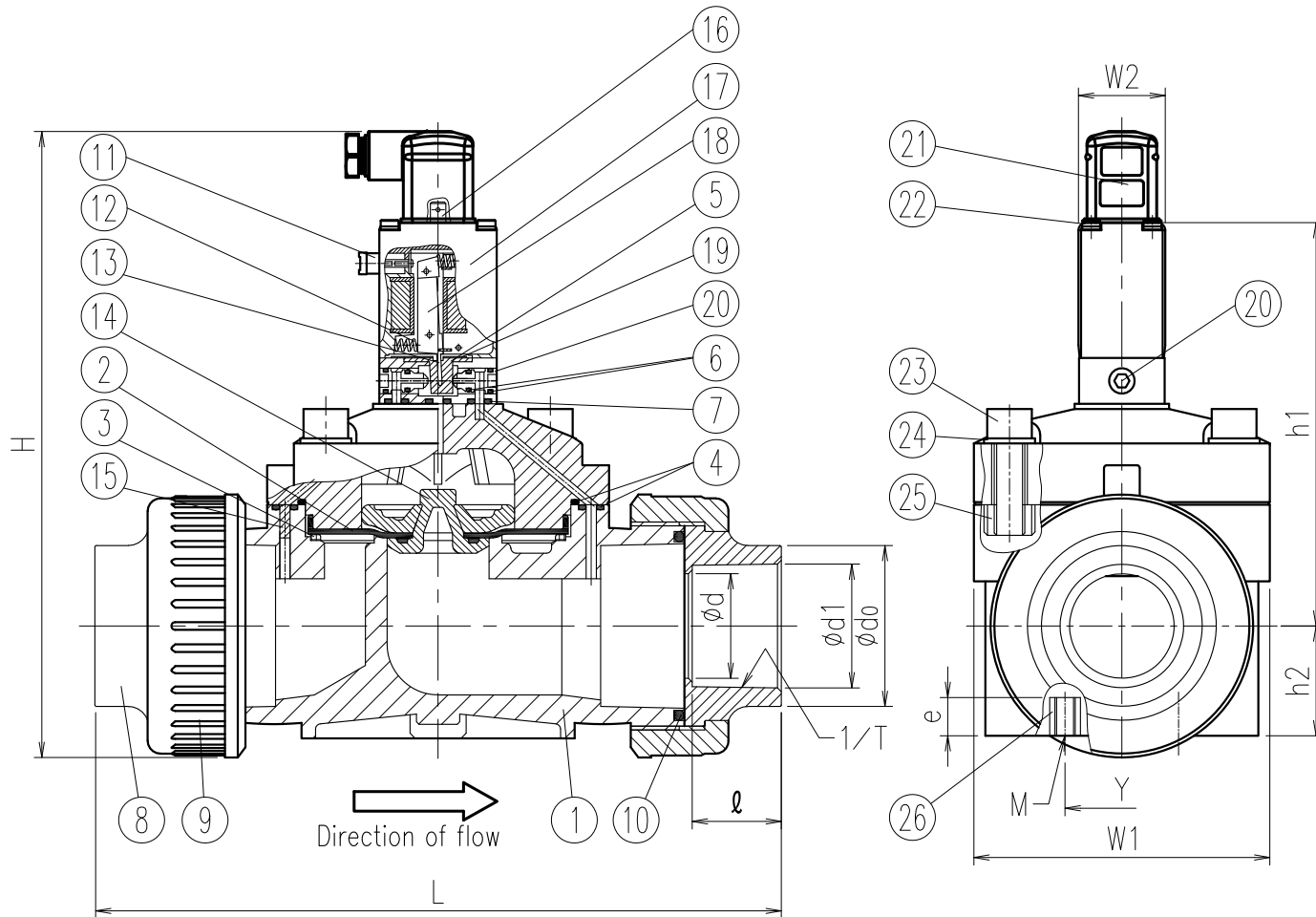
Dimension Table

Size	A (B)	ϕd	L	Flange				H	h1	h2	W1	W2	Fixing Insert Nut		Weight kg/unit	Cv Value	Pressure Range MPa (at 20°C)
				ϕD	ϕC	n- ϕh	t						Y	Mxe			
□ 25 (1)	25	258±3.0	125	90	4-19	14	237	137	31	85	34	44.5	M8x15	1.2	16.4	0.05~0.6	
□ 32 (1 1/4)	32	259±3.0	135	100	4-19	16	237	137	31	85	34	44.5	M8x15	1.2	18.8	0.05~0.6	
□ 40 (1 1/2)	41	326±3.0	140	105	4-19	16	268	160	43	115	34	44.5	M8x15	2.2	35.2	0.05~0.6	
□ 50 (2)	52	334±3.0	155	120	4-19	20	276	160	43	115	34	44.5	M8x15	2.2	45.2	0.05~0.6	

Note) 1. Flange dimension is in accordance with the following standard; JIS B2220: 2004

2. If a fixing insert bolt is used, it should not be screwed in beyond dimension e.

Client name		Date
Voltage	<input type="checkbox"/> AC100V	Approved by:
	<input type="checkbox"/> AC200V	
	<input type="checkbox"/> DC24V	
ESLON		
Solenoid Valve Type142 Flange Type 25-50A		
Drawing No.	S42550FE	
SEKISUI SEKISUI CHEMICAL CO., LTD.		



No.	Part Name	QTY	Material
1	Body	1	Body/O-Ring-Gasket □PVC/EPDM □PVC/FKM
2	Diaphragm	1	
3	Thrust Ring	1	
4	O-Ring	3	
5	Gasket	1	
6	O-Ring	4	
7	O-Ring	3	
8	Flange	2	
9	Union Nut	2	
10	O-Ring	2	
11	Manual Operation Device	1	PA
12	Spring	1	SUS304CSP
13	Plug	1	PTFE
14	Disc	1	PVDF
15	Restrictor	1	PVDF
16	Terminal Stand	-	-
17	Solenoid	1	Epoxy
18	Flapper	1	SS400+Ni Coated
19	Reinforcing Plate	1	SUS316
20	Orifice Plug	2	PVDF
21	DIN Connector	1	PA
22	Slotted Head Screw	4	SUS316
23	Hexagon Socket Head Cap Screws	4	SUS316
24	Washer	4	SUS316
25	Insert Nut	4	SUS316
26	Insert Nut	2	SUS316

Notes) A cable should surely use $\phi 4.5-10$.

Dimension Table

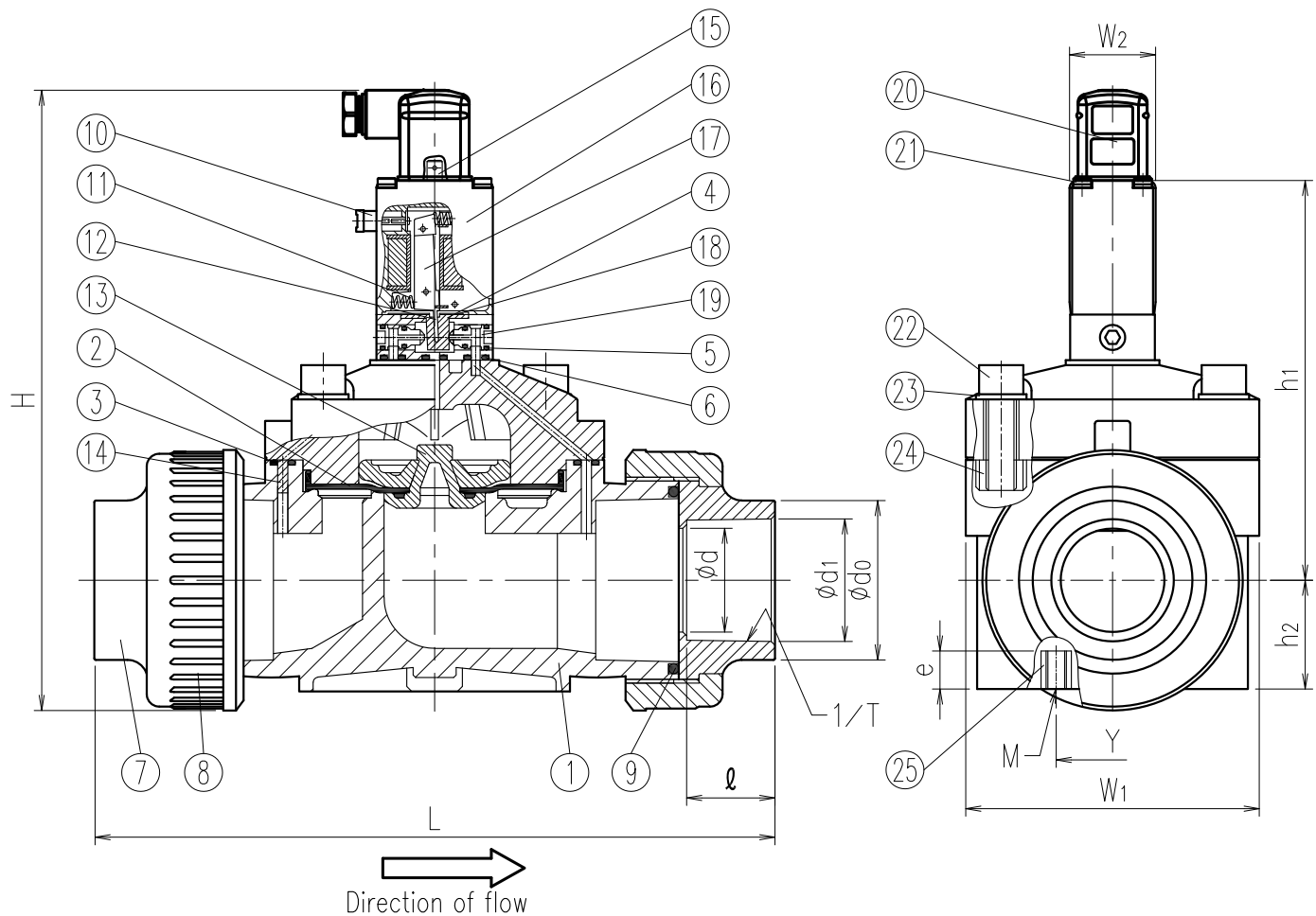
Unit: mm

Size	A(B)	ϕd	L	TS Socket				H	h1	h2	W1	W2	Fixing Insert Nut		Weight kg/unit	Cv Value	Pressure Range MPa (at20°C)
				$\phi d1$	1/T	l	ϕD						Y	Mxe			
□ 15(1/2)	16	162±3.0	22.3	1/37	22	30	184	122	22	62.5	34	40	M5x8	0.65	5.8	0.05~0.6	
□ 20(3/4)	20	172±3.0	26.3	1/42	25	35	184	122	22	62.5	34	40	M5x8	0.65	7.0	0.05~0.6	

Note) 1. Socket dimension is in accordance with the following standard;JIS K6743.
2. If a fixing insert bolt is used, it should not be screwed in beyond dimension e.

Client name		Date
Voltage	<input type="checkbox"/> AC100V	<input type="checkbox"/> AC200V
	<input type="checkbox"/> DC24V	
		Approved by:

ESLON	
Solenoid Valve Type142 TS Socket 15-20A	
Drawing No.	S41520SE
SEKISUI SEKISUI CHEMICAL CO.,LTD.	



No.	Part Name	QTY	Material
1	Body	1	Body/O-Ring-Gasket □PVC/EPDM □PVC/FKM
2	Diaphragm	1	
3	O-Ring	2	
4	Gasket	1	
5	O-Ring	4	
6	O-Ring	3	
7	TS Socket	2	
8	Union Nut	2	
9	O-Ring	2	
10	Manual Operation Device	1	PA
11	Spring	1	SUS304CSP
12	Plug	1	PTFE
13	Disc	1	PVDF
14	Restrictor	1	PVDF
15	Terminal Stand	-	-
16	Solenoid	1	Epoxy
17	Flapper	1	SS400+ Ni Coated
18	Reinforcing Plate	1	SUS316
19	Orifice Plug	2	PVDF
20	DIN Connector	1	PA
21	Slotted Head Screw	4	SUS316
22	Hexagon Socket Head Cap Screws	4	SUS316
23	Washer	4	SUS316
24	Insert Nut	4	SUS316
25	Insert Nut	2	SUS316

Notes) A cable should surely use $\phi 4.5-10$.

Dimension Table

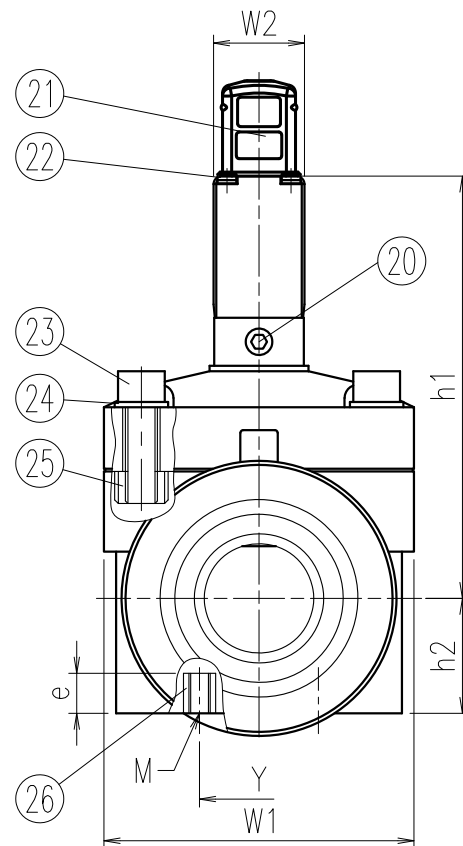
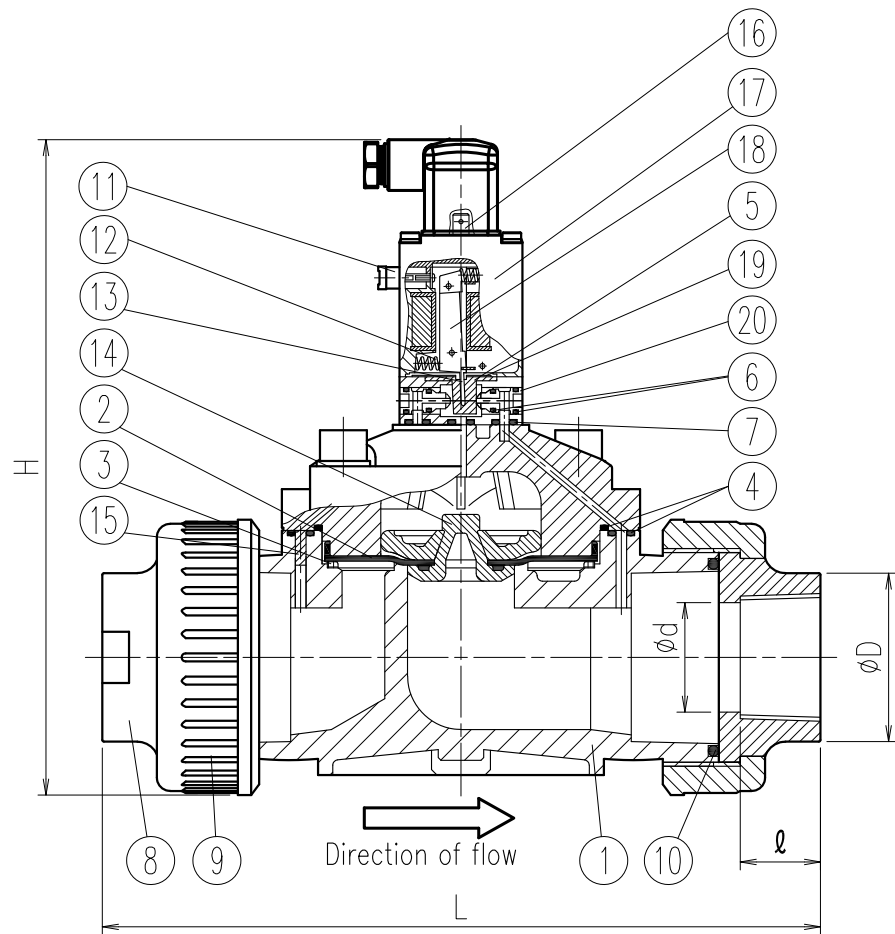
Unit: mm

Size	A(B)	ϕd	L	TS Socket				H	h1	h2	W1	W2	Fixing Insert Nut		Weight kg/unit	Cv Value	Pressure Range MPa (at20°C)
				$\phi d1$	1/T	ℓ	ϕD						Y	Mxe			
□ 25 (1)	25	208±3.0	32.3	1/43	29	44	210	137	31	85	34	44.5	M8x15	1.2	16.4	0.05~0.6	
□ 32 (1 1/4)	32	213±3.0	38.4	1/37	32	53	210	137	31	85	34	44.5	M8x15	1.2	18.8	0.05~0.6	
□ 40 (1 1/2)	41	268±3.0	48.5	1/38	35	63	244	160	43	115	34	44.5	M8x15	2.2	35.2	0.05~0.6	
□ 50 (2)	52	279±3.0	60.6	1/34	38	74	244	160	43	115	34	44.5	M8x15	2.2	45.2	0.05~0.6	

Note) 1. Socket dimension is in accordance with the following standard; JIS K6743.
2. If a fixing insert bolt is used, it should not be screwed in beyond dimension e.

Client name		Date
Voltage	<input type="checkbox"/> AC100V	Approved by:
	<input type="checkbox"/> AC200V	
	<input type="checkbox"/> DC24V	

ESLON	
Solenoid Valve Type142 TS Socket 25-50A	
Drawing No.	S42550SE
SEKISUI SEKISUI CHEMICAL CO.,LTD.	



No.	Part Name	QTY	Material
1	Body	1	Body/O-Ring-Gasket □PVC/EPDM □PVC/FKM
2	Diaphragm	1	
3	Thrust Ring	1	
4	O-Ring	3	
5	Gasket	1	
6	O-Ring	4	
7	O-Ring	3	
8	Tread Socket	2	
9	Union Nut	2	
10	O-Ring	2	
11	Manual Operation Device	1	PA
12	Spring	1	SUS304CSP
13	Plug	1	PTFE
14	Disc	1	PVDF
15	Restrictor	1	PVDF
16	Terminal Stand	-	-
17	Solenoid	1	Epoxy
18	Flapper	1	SS400+ Ni Coated
19	Reinforcing Plate	1	SUS316
20	Orifice Plug	2	PVDF
21	DIN Connector	1	PA
22	Slotted Head Screw	4	SUS316
23	Hexagon Socket Head Cap Screws	4	SUS316
24	Washer	4	SUS316
25	Insert Nut	4	SUS316
26	Insert Nut	2	SUS316

Notes) A cable should surely use $\phi 4.5-10$.

Dimension Table

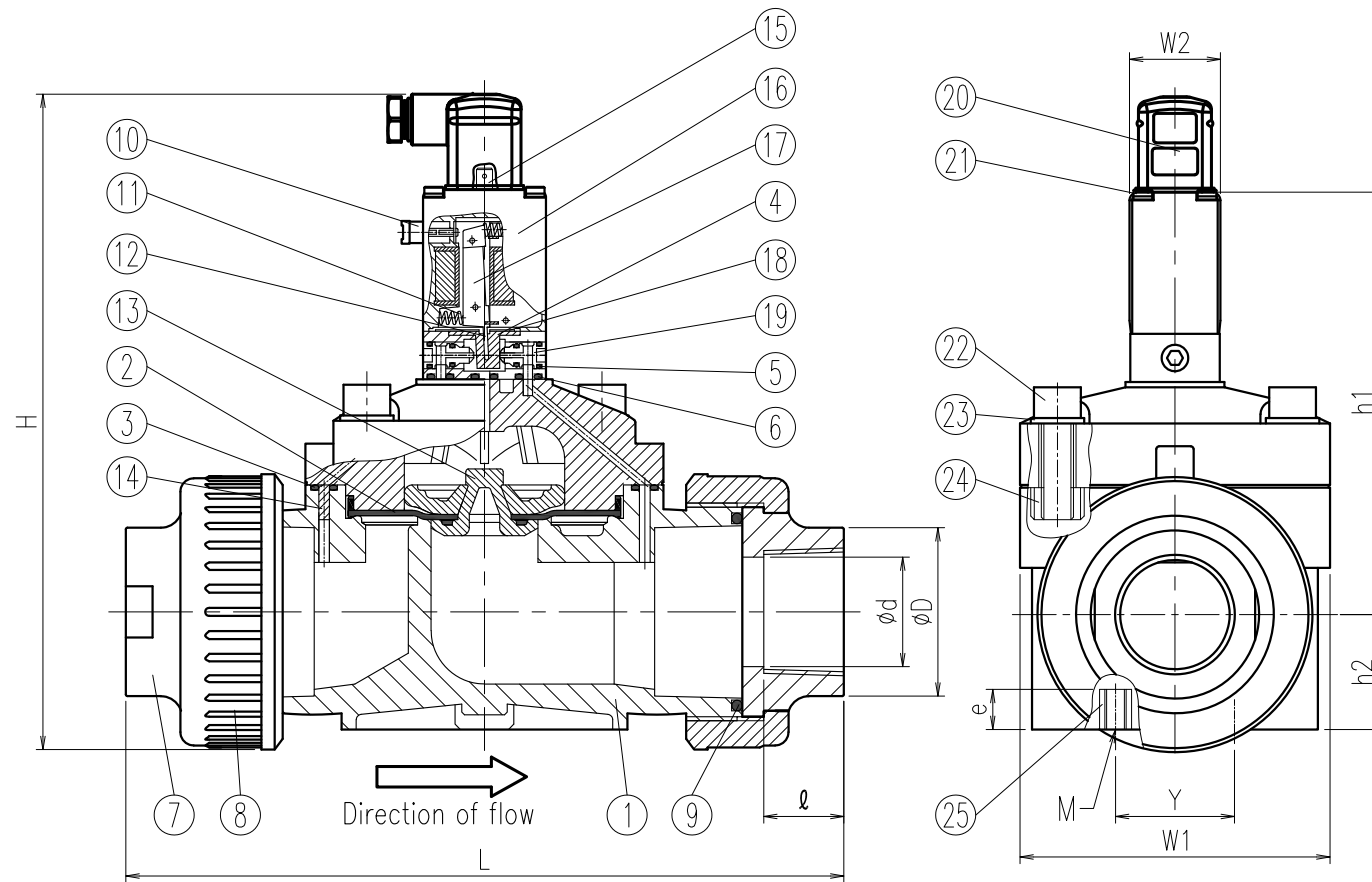
Unit: mm

Size	A (B)	ϕd	Thread			ϕD	H	h1	h2	W1	W2	Fixing Insert Nut		Weight kg/unit	Cv Value	Pressure Range MPa (at 20°C)
			L	Rp	ℓ							Y	Mxe			
□	15 (1/2)	16	162±3.0	Rp1/2	17	30	184	122	22	62.5	34	40	M5x8	0.65	5.8	0.05~0.6
□	20 (3/4)	20	156±3.0	Rp3/4	18	35	184	122	22	62.5	34	40	M5x8	0.65	7.0	0.05~0.6

Note) 1. Thread dimension is in accordance with the following standard; JIS B 0203
2. If a fixing insert bolt is used, it should not be screwed in beyond dimension e.

Client name		Date
Voltage	<input type="checkbox"/> AC100V	Approved by:
	<input type="checkbox"/> AC200V	
	<input type="checkbox"/> DC24V	

ESLON	
Solenoid Valve Type142 Thread Type 15-20A	
Drawing No.	S41520NE
SEKISUI SEKISUI CHEMICAL CO.,LTD.	



No.	Part Name	QTY	Material
1	Body	1	Body/O-Ring-Gasket □PVC/EPDM □PVC/FKM
2	Diaphragm	1	
3	O-Ring	2	
4	Gasket	1	
5	O-Ring	4	
6	O-Ring	3	
7	Thread Socket	2	PA
8	Union Nut	2	
9	O-Ring	2	SUS304CSP
10	Manual Operation Device	1	
11	Spring	1	PTFE
12	Plug	1	
13	Disc	1	PVDF
14	Restrictor	1	
15	Terminal Stand	-	-
16	Solenoid	1	Epoxy
17	Flapper	1	SS400+Ni Coated
18	Reinforcing Plate	1	SUS316
19	Orifice Plug	2	PVDF
20	DIN Connector	1	PA
21	Slotted Head Screw	4	SUS316
22	Hexagon Socket Head Cap Screws	4	SUS316
23	Washer	4	SUS316
24	Insert Nut	4	SUS316
25	Insert Nut	2	SUS316

Notes) A cable should surely use $\phi 4.5-10$.

Dimension Table

Unit: mm

Size	A (B)	ϕd	Thread			ϕD	H	h1	h2	W1	W2	Fixing Insert Nut		Weight kg/unit	Cv Value	Pressure Range MPa (at20°C)
			L	Rp	ℓ							Y	Mxe			
□	25 (1)	25	208±3.0	Rp1	24	44	210	137	31	85	34	44.5	M8x15	1.2	16.4	0.05~0.6
□	32 (1 1/4)	32	202±3.0	Rp1 1/4	23	53	210	137	31	85	34	44.5	M8x15	1.2	18.8	0.05~0.6
□	40 (1 1/2)	41	268±3.0	Rp1 1/2	30	63	244	160	43	115	34	44.5	M8x15	2.2	35.2	0.05~0.6
□	50 (2)	52	278±3.0	Rp2	28	74	244	160	43	115	34	44.5	M8x15	2.2	45.2	0.05~0.6

Note) 1. Thread dimension is in accordance with the following standard; JIS B 0203
2. If a fixing insert bolt is used, it should not be screwed in beyond dimension e.

Client name		Date
Voltage	<input type="checkbox"/> AC100V <input type="checkbox"/> AC200V	Approved by:
	<input type="checkbox"/> DC24V	

ESLON	
Solenoid Valve Type142 Thread 25-50A	
Drawing No.	S42550NE
SEKISUI SEKISUI CHEMICAL CO.,LTD.	