

No.	Part Name	Q'TY	Material/Type
1	Body	1	□PVC □PP □PVDF
2	Union nut	2	
3	Flange end	2	
4	Separate disk	1	
5	Piston	1	
6	Plug	2	PVDF
7	Set ring	2	
8	O-ring	1	
9	O-ring	1	
10	O-ring	1	
11	O-ring	1	
12	Packing	1	
13	O-ring	2	PE
14	Cover	1	
15	Adjust bolt	1	SUS304
16	Lock nut	1	SUS304
17	Bonnet	1	GF-PP
18	Separate disk	1	SS400+Ni
19	Thrust ball	1	SUS304
20	Adjust spring	1	Spring steel
21	Hexagonal bolt	1	SUS304
22	Washer	1	SUS304
23	Spring plate	1	GF-PP
24	Diaphragm	1	PTFE+EPDM
25	Piston head	1	PVDF
26	Hexagonal bolt	-	SUS304 ※)
27	Washer	-	SUS304 ※)
28	Hexagon nut	-	SUS304 ※)
29	Fixing insert nut	2	SUS304

※) Q'Ty: (15A ... 4, 20A~50A ... 6)

Dimension Table

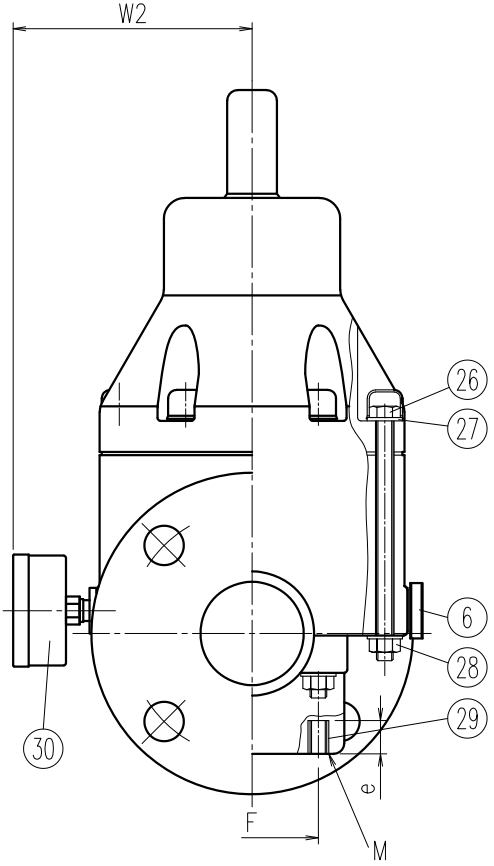
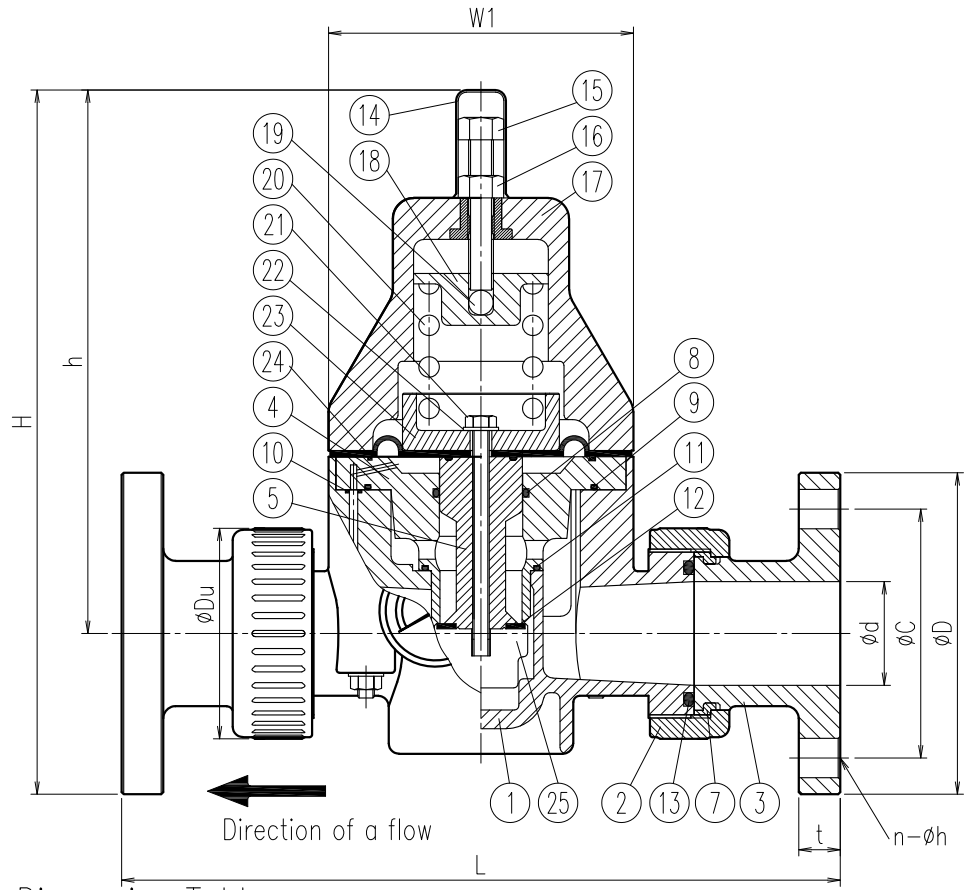
Unit: mm

Size	A (B)	φd	L								φDu	H		h	W1	Fixing Insert Nut		Weight (Ref.)		
			PVC			PP,PVDF			φC	n-φh		t	PVC			PP,PVDF	F	Mxe	PVC	PP,PVDF
			224	223	221	95	92	70												
□ 15 (1/2)	15	15	224	223	221	95	92	70	4-15	14	42	220	218	172	81	40	M6x16	1.1	1.3	
□ 20 (3/4)	20	20	255	252	250	100	97	75	4-15	14	53	252	250	202	107	46	M6x16	1.2	1.4	
□ 25 (1)	26	26	269	266	265	125	122	90	4-19	14	59	265	263	202	107	46	M6x16	2.4	2.8	
□ 32 (1·1/4)	32	32	323	321	315	135	132	100	4-19	16	72	330	328	262	147	65	M8x16	5.7	6.6	
□ 40 (1·1/2)	40	40	338	336	335	140	137	105	4-19	16	81	332	330	262	147	65	M8x16	5.9	6.8	
□ 50 (2)	50	50	346	341	336	155	152	120	4-19	20	102	340	338	262	147	65	M8x16	6.3	7.2	

- Remarks) 1. Flange dimensions are according to JIS B 2220:2004 (Steel flange standard dimensions).
 2. In case insert nut is used for fixing, it should not be screwed in further than e dimension.
 3. Regulation pressure range (at 20°C) 0.1~0.9MPa. Max. working pressure (at 20°C) 1.0MPa

Client name		Date
Rinsed	<input type="checkbox"/> YES	Approved by:
ESLON Pressure Regulation Valve Type755 Flange Type 15-50A		
Drawing No.	PC1550FE	
SEKISUI SEKISUI CHEMICAL CO.,LTD.		

No.	Part Name	Q'TY	Material/Type	No.	Part Name	Q'TY	Material/Type
※) Q'Ty: (15A ... 4, 20A~50A ... 6)							
1	Body	1		14	Cover	1	PE
2	Union nut	2		15	Adjust bolt	1	SUS304
3	Flange end	2	□PVC □PP □PVDF	16	Lock unt	1	SUS304
4	Saparate disk	1	□PVDF	17	Bonnet	1	GF-PP
5	Piston	1		18	Separate disk	1	SS400+Ni
6	Plug	1		19	Thrust ball	1	SUS304
7	Set ring	2	PVDF	20	Adjust spring	1	Spring steel
8	O-ring	1		21	Hexagonal bolt	1	SUS304
9	O-ring	1		22	Washer	1	SUS304
10	O-ring	1	□EPDM □FKM (PVDF:FKM)	23	Spring plate	1	GF-PP
11	O-ring	1		24	Diaphragm	1	PTFE+EPDM
12	Packing	1		25	Piston head	1	PVDF
13	O-ring	2		26	Hexagonal bolt	-	SUS304 ※)
14	Cover	1	PE	27	Washer	-	SUS304 ※)
15	Adjust bolt	1	SUS304	28	Hexagon nut	-	SUS304 ※)
16	Lock unt	1	SUS304	29	Fixing insert nut	2	SUS304
17	Bonnet	1	GF-PP	30	Pressure gauge	1	-
18	Separate disk	1	SS400+Ni				
19	Thrust ball	1	SUS304				
20	Adjust spring	1	Spring steel				
21	Hexagonal bolt	1	SUS304				
22	Washer	1	SUS304				
23	Spring plate	1	GF-PP				
24	Diaphragm	1	PTFE+EPDM				
25	Piston head	1	PVDF				
26	Hexagonal bolt	-	SUS304 ※)				
27	Washer	-	SUS304 ※)				
28	Hexagon nut	-	SUS304 ※)				
29	Fixing insert nut	2	SUS304				
30	Pressure gauge	1	-				



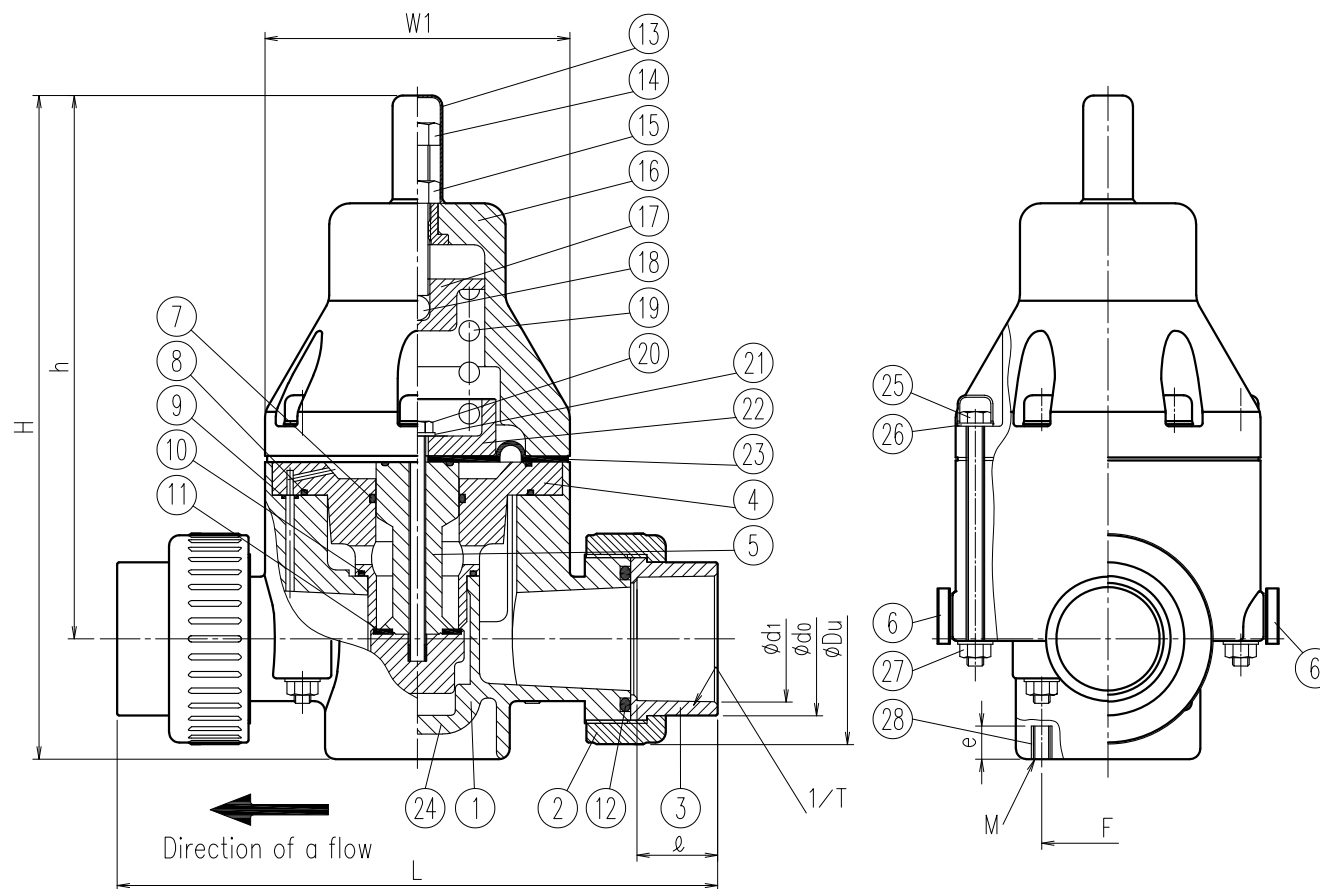
Dimension Table

Unit: mm

Size	A (B)	ϕd	Flange						ϕD_u	H		h	W1	W2	Fixing Insert Nut		Weight (Ref.)			
			L			ϕD				PVC	PP,PVDF				F	Mxe	PVC	PP,PVDF		
			PVC	PP	PVDF	PVC	PP,PVDF	ϕC											n- ϕh	t
□ 15 (1/2)	15	15	224	223	221	95	92	70	4-15	14	42	220	218	172	81	92	40	M6x16	1.1	1.3
□ 20 (3/4)	20	20	255	252	250	100	97	75	4-15	14	53	252	250	202	107	92	46	M6x16	1.2	1.4
□ 25 (1)	26	26	269	266	265	125	122	90	4-19	14	59	265	263	202	107	92	46	M6x16	2.4	2.8
□ 32 (1.1/4)	32	32	323	321	315	135	132	100	4-19	16	72	330	328	262	147	112	65	M8x16	5.7	6.6
□ 40 (1.1/2)	40	40	338	336	335	140	137	105	4-19	16	81	332	330	262	147	112	65	M8x16	5.9	6.8
□ 50 (2)	50	50	346	341	336	155	152	120	4-19	20	102	340	338	262	147	112	65	M8x16	6.3	7.2

Remarks) 1. Flange dimensions are according to JIS B 2220:2004 (Steel flange standard dimensions).
 2. In case insert nut is used for fixing, it should not be screwed in further than e dimension.
 3. Regulation pressure range (at20°C) 0.1~0.9MPa. Max. working pressure (at20°C) 1.0MPa

Client name		Date
Pressure gauge (Display/Connection thread)		Approved by:
□ Standard (SPC/C3604BD)		
□ Glycerin enclosure (SUS304/C3604BD)		
□ SUS (SPC/SUS304)		
□ SUS+Glycerin (SUS304/SUS304)		
Rinsed	□ YES	
ESLON Pressure Regulation Valve Type755		
Flange 15-50A (Pressure gauge)		
Drawing No.	PC1550FE-PG	
SEKISUI SEKISUI CHEMICAL CO.,LTD.		



No.	Part Name	Q'TY	Material/Type
1	Body	1	PVC
2	Union nut	2	
3	TS socket	2	
4	Separate disk	1	
5	Piston	1	
6	Plug	2	
7	O-ring	1	□EPDM □FKM
8	O-ring	1	
9	O-ring	1	
10	O-ring	1	
11	Packing	1	
12	O-ring	2	
13	Cover	1	PE
14	Adjust bolt	1	SUS304
15	Lock nut	1	SUS304
16	Bonnet	1	GF-PP
17	Separate disk	1	SS400+Ni
18	Thrust ball	1	SUS304
19	Adjust spring	1	Spring steel
20	Hexagonal bolt	1	SUS304
21	Washer	1	SUS304
22	Spring plate	1	GF-PP
23	Diaphragm	1	PTFE+EPDM
24	Piston head	1	PVDF
25	Hexagonal bolt	-	SUS304 ※)
26	Washer	-	SUS304 ※)
27	Hexagon nut	-	SUS304 ※)
28	Fixing insert nut	2	SUS304

※) Q'Ty: (13,15A ... 4, 20A~50A ... 6)

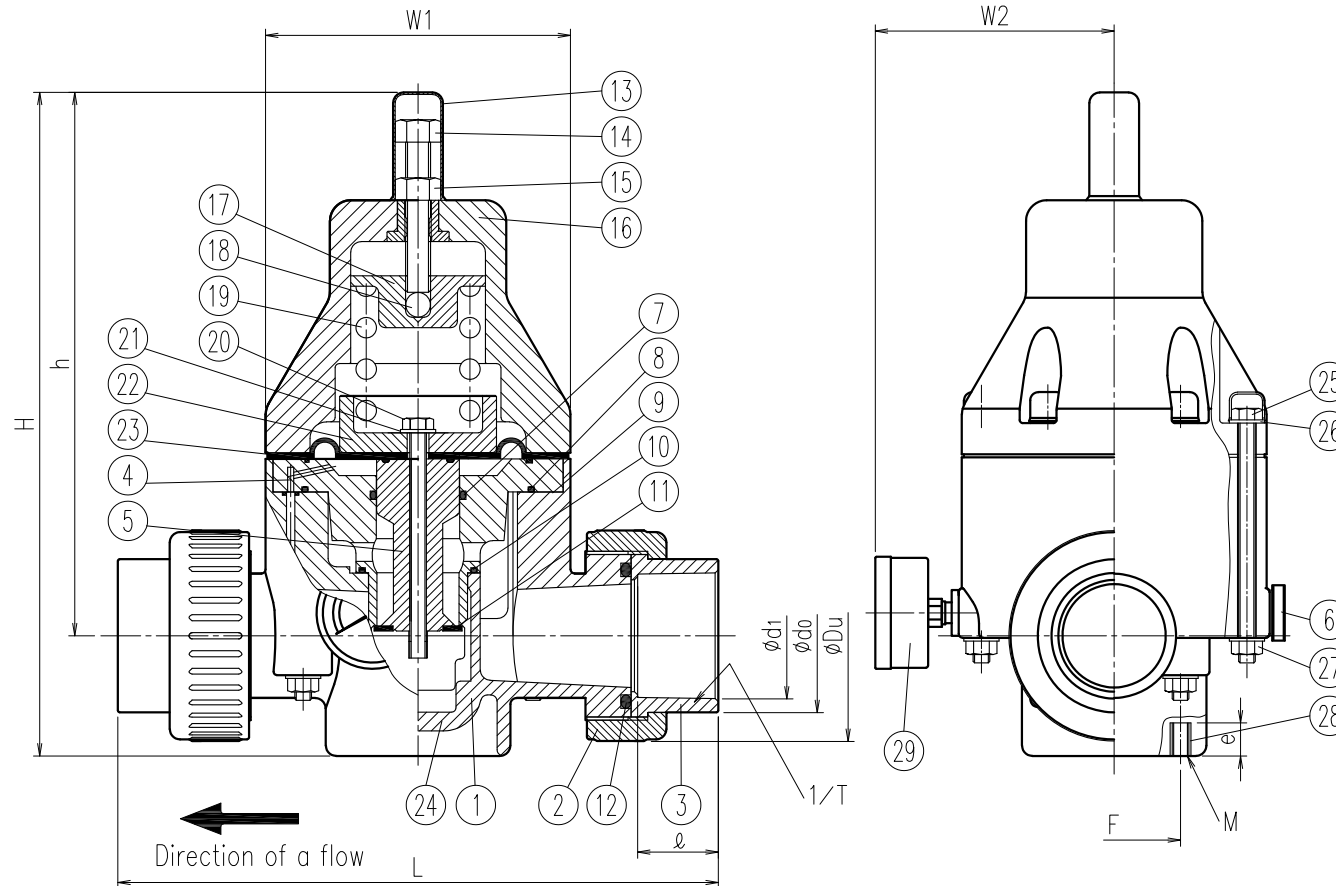
Dimension Table

Unit: mm

Size	A(B)	φd	L	TS socket				φDu	H	h	W1	Insert		Weight (Ref.) kg/unit
				φd1	1/T	ℓ	φdo					F	Mxe	
□ 13 (3/8)	10	172±3.0	18.3	1/31	19	22	34	197	172	81	40	M6x16	0.9	
□ 15 (1/2)	16	174±3.0	22.3	1/37	22	28	42	197	172	81	40	M6x16	1.0	
□ 20 (3/4)	20	213±3.0	26.3	1/42	25	36	53	240	202	107	46	M6x16	2.0	
□ 25 (1)	25	220±3.0	32.3	1/43	29	42	59	240	202	107	46	M6x16	2.0	
□ 32 (1-1/4)	32	278±3.0	38.4	1/37	32	53	72	320	262	147	65	M8x16	5.1	
□ 40 (1-1/2)	41	284±3.0	48.5	1/38	35	59	81	320	262	147	65	M8x16	5.2	
□ 50 (2)	52	293±3.0	60.6	1/34	38	74	102	320	262	147	65	M8x16	5.3	

Remarks) 1. In case insert nut is used for fixing, it should not be screwed in further than e dimension.
2. Regulation pressure range (at20°C) 0.1~0.9MPa. Max. working pressure (at20°C) 1.0MPa

Client name		Date
Rinsed	<input type="checkbox"/> YES	Approved by:
ESLON Pressure Regulation Valve Type755 TS Socket 13-50A		
Drawing No.	PC1350SE	
SEKISUI SEKISUI CHEMICAL CO.,LTD.		



No.	Part Name	Q'TY	Material/Type
1	Body	1	PVC
2	Union nut	2	
3	TS socket	2	
4	Separate disk	1	
5	Piston	1	□EPDM □FKM
6	Plug	1	
7	O-ring	1	
8	O-ring	1	
9	O-ring	1	
10	O-ring	1	□EPDM □FKM
11	Packing	1	
12	O-ring	2	
13	Cover	1	PE
14	Adjust bolt	1	SUS304
15	Lock nut	1	SUS304
16	Bonnet	1	GF-PP
17	Separate disk	1	SS400+Ni
18	Thrust ball	1	SUS304
19	Adjust spring	1	Spring steel
20	Hexagonal bolt	1	SUS304
21	Washer	1	SUS304
22	Spring plate	1	GF-PP
23	Diaphragm	1	PTFE+EPDM
24	Piston head	1	PVDF
25	Hexagonal bolt	-	SUS304 ※)
26	Washer	-	SUS304 ※)
27	Hexagon nut	-	SUS304 ※)
28	Fixing insert nut	2	SUS304
29	Pressure gauge	1	-

※) Q'Ty: (13,15A ... 4, 20A~50A ... 6)

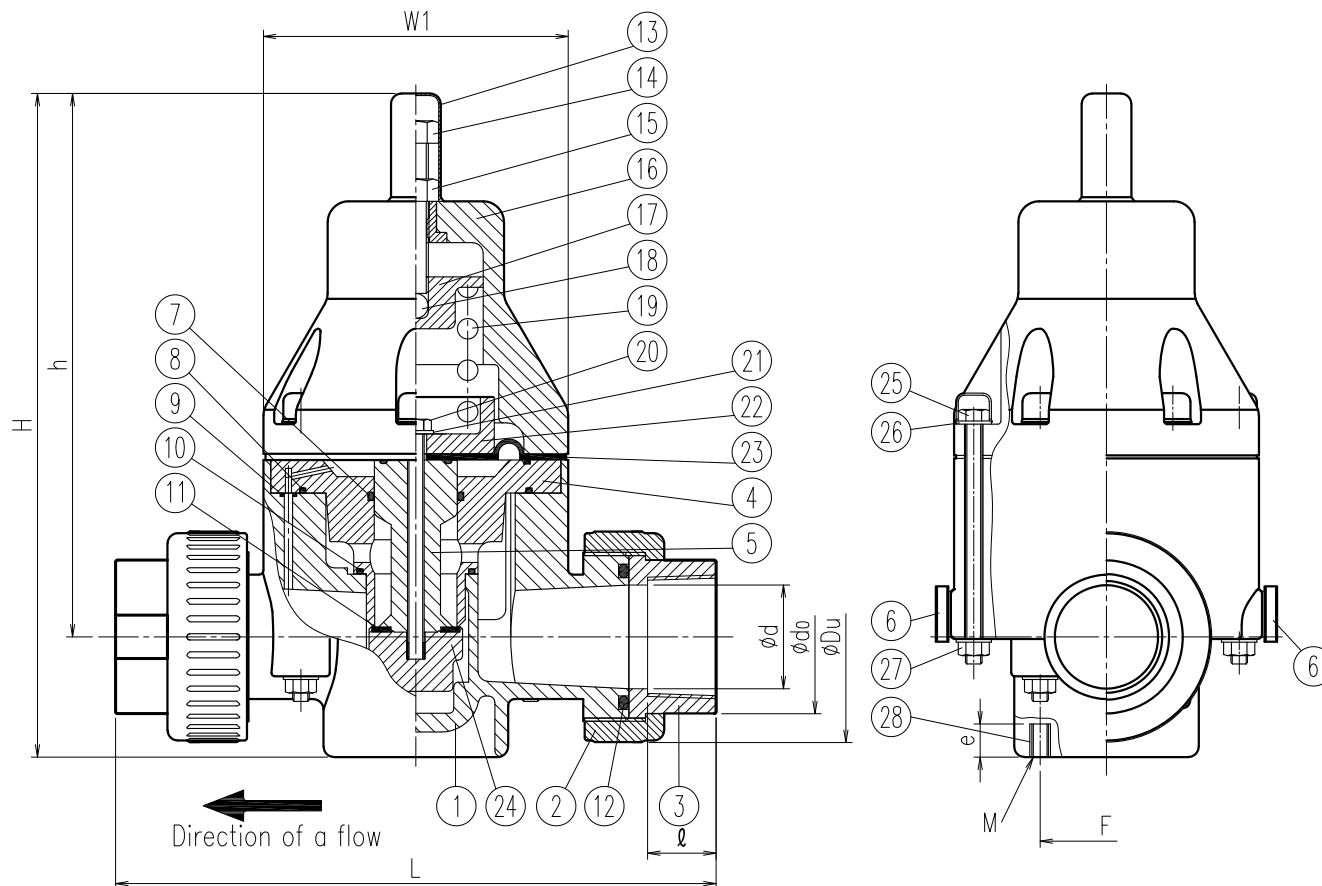
Dimension Table

Unit: mm

Size	A(B)	φd	L	TS socket				φDu	H	h	W1	W2	Insert		Weight (Ref.) kg/unit
				φd1	1/T	ℓ	φdo						F	Mxe	
□ 13 (3/8)	10	172±3.0	18.3	1/31	19	22	34	197	172	81	77	40	M6x16	0.9	
□ 15 (1/2)	16	174±3.0	22.3	1/37	22	28	42	197	172	81	92	40	M6x16	1.0	
□ 20 (3/4)	20	213±3.0	26.3	1/42	25	36	53	240	202	107	92	46	M6x16	2.0	
□ 25 (1)	25	220±3.0	32.3	1/43	29	42	59	240	202	107	92	46	M6x16	2.0	
□ 32 (1-1/4)	32	278±3.0	38.4	1/37	32	53	72	320	262	147	112	65	M8x16	5.1	
□ 40 (1-1/2)	41	284±3.0	48.5	1/38	35	59	81	320	262	147	112	65	M8x16	5.2	
□ 50 (2)	52	293±3.0	60.6	1/34	38	74	102	320	262	147	112	65	M8x16	5.3	

Remarks) 1. In case insert nut is used for fixing, it should not be screwed in further than e dimension.
2. Regulation pressure range (at20°C) 0.1~0.9MPa. Max. working pressure (at20°C) 1.0MPa

Client name	Date
Pressure gauge (Display/Connection thread) □ Standard (SPC/C3604BD) □ Glycerin enclosure (SUS304/C3604BD) □ SUS (SPC/SUS304) □ SUS+Glycerin (SUS304/SUS304)	Approved by:
Rinsed	<input type="checkbox"/> YES
ESLON Pressure Regulation Valve Type755 TS Socket 13-50A (Pressure gauge)	
Drawing No.	PC1350SE-PG
SEKISUI SEKISUI CHEMICAL CO.,LTD.	



No.	Part Name	Q'TY	Material/Type
1	Body	1	□PVC □PVDF
2	Union nut	2	
3	Thread socket	2	
4	Separate disk	1	
5	Piston	1	
6	Plug	2	
7	O-ring	1	□EPDM □FKM (PVDF:FKM)
8	O-ring	1	
9	O-ring	1	
10	O-ring	1	
11	Packing	1	
12	O-ring	2	
13	Cover	1	PE
14	Adjust bolt	1	SUS304
15	Lock nut	1	SUS304
16	Bonnet	1	GF-PP
17	Separate disk	1	SS400+Ni
18	Thrust ball	1	SUS304
19	Adjust spring	1	Spring steel
20	Hexagonal bolt	1	SUS304
21	Washer	1	SUS304
22	Spring plate	1	GF-PP
23	Diaphragm	1	PTFE+EPDM
24	Piston head	1	PVDF
25	Hexagonal bolt	-	SUS304 ※)
26	Washer	-	SUS304 ※)
27	Hexagon nut	-	SUS304 ※)
28	Fixing insert nut	2	SUS304

※) Q'Ty: (13,15A ... 4, 20A~50A ... 6)

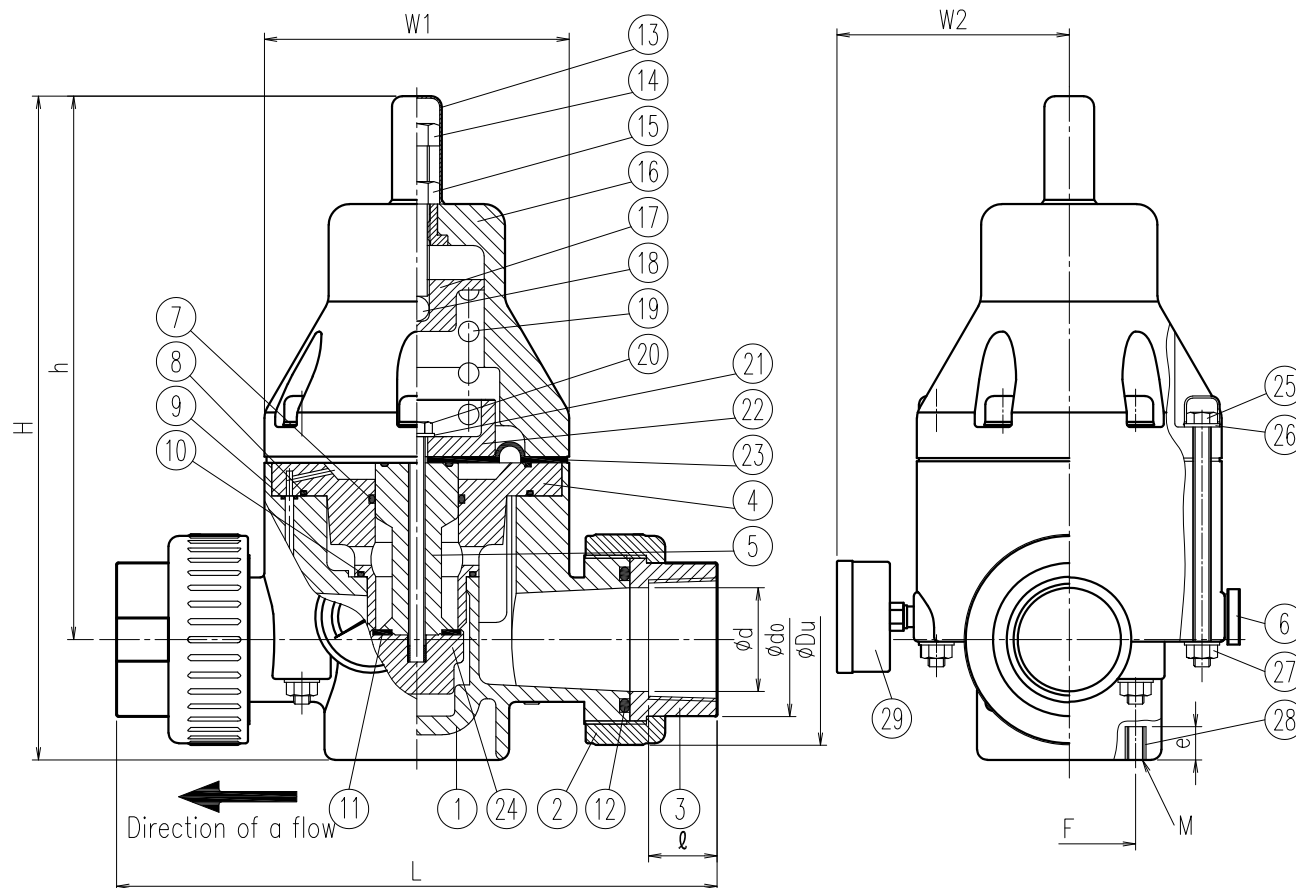
Dimension Table

Size	A(B)	ød	PVC			PVDF			ødo	øDu	H	h	W1	Insert		Weight kg/unit
			L	Rp	ℓ	L	Rc	ℓ						F	Mxe	
□ 13(3/8)	10	10	158±3.0	Rp3/8	15	164±3.0	Rc3/8	14	22	34	197	172	81	40	M6x16	0.8
□ 15(1/2)	16	16	161±3.0	Rp1/2	17	172±3.0	Rc1/2	16	27	42	197	172	81	40	M6x16	0.9
□ 20(3/4)	20	20	195±3.0	Rp3/4	18	209±3.0	Rc3/4	20	36	53	240	202	107	46	M6x16	1.9
□ 25(1)	25	25	201±3.0	Rp1	18	218±3.0	Rc1	24	41	59	240	202	107	46	M6x16	1.9
□ 32(1-1/4)	32	32	267±3.0	Rp1-1/4	23	272±3.0	Rc1-1/4	28	53	72	320	262	147	65	M8x16	5.0
□ 40(1-1/2)	41	41	277±3.0	Rp1-1/2	23	281±3.0	Rc1-1/2	30	59	81	320	262	147	65	M8x16	5.1
□ 50(2)	52	52	292±3.0	Rp2	28	290±3.0	Rc2	33	74	102	320	262	147	65	M8x16	5.2

Remarks) 1. In case insert nut is used for fixing, it should not be screwed in further than e dimension.
2. Regulation pressure range (at 20°C) 0.1~0.9MPa. Max. working pressure (at 20°C) 1.0MPa

Client name		Date
Rinsed	<input type="checkbox"/> YES	Approved by:

ESLON	
Pressure Regulation Valve Type 755 Thread 13-50A	
Drawing No.	PC1350NE
SEKISUI SEKISUI CHEMICAL CO.,LTD.	



No.	Part Name	Q'TY	Material/Type
1	Body	1	
2	Union nut	2	
3	Thread socket	2	<input type="checkbox"/> PVC
4	Saparate disk	1	<input type="checkbox"/> PVDF
5	Piston	1	
6	Plug	1	
7	O-ring	1	
8	O-ring	1	
9	O-ring	1	<input type="checkbox"/> EPDM
10	O-ring	1	<input type="checkbox"/> FKM
11	Packing	1	(PVDF:FKM)
12	O-ring	2	
13	Cover	1	PE
14	Adjust bolt	1	SUS304
15	Lock unt	1	SUS304
16	Bonnet	1	GF-PP
17	Separate disk	1	SS400+Ni
18	Thrust ball	1	SUS304
19	Adjust spring	1	Spring steel
20	Hexagonal bolt	1	SUS304
21	Washer	1	SUS304
22	Spring plate	1	GF-PP
23	Diaphragm	1	PTFE+EPDM
24	Piston head	1	PVDF
25	Hexagonal bolt	-	SUS304 ※)
26	Washer	-	SUS304 ※)
27	Hexagon nut	-	SUS304 ※)
28	Fixing insert nut	2	SUS304
29	Pressure gauge	1	-
※) Q'Ty: (13,15A ... 4, 20A~50A ... 6)			

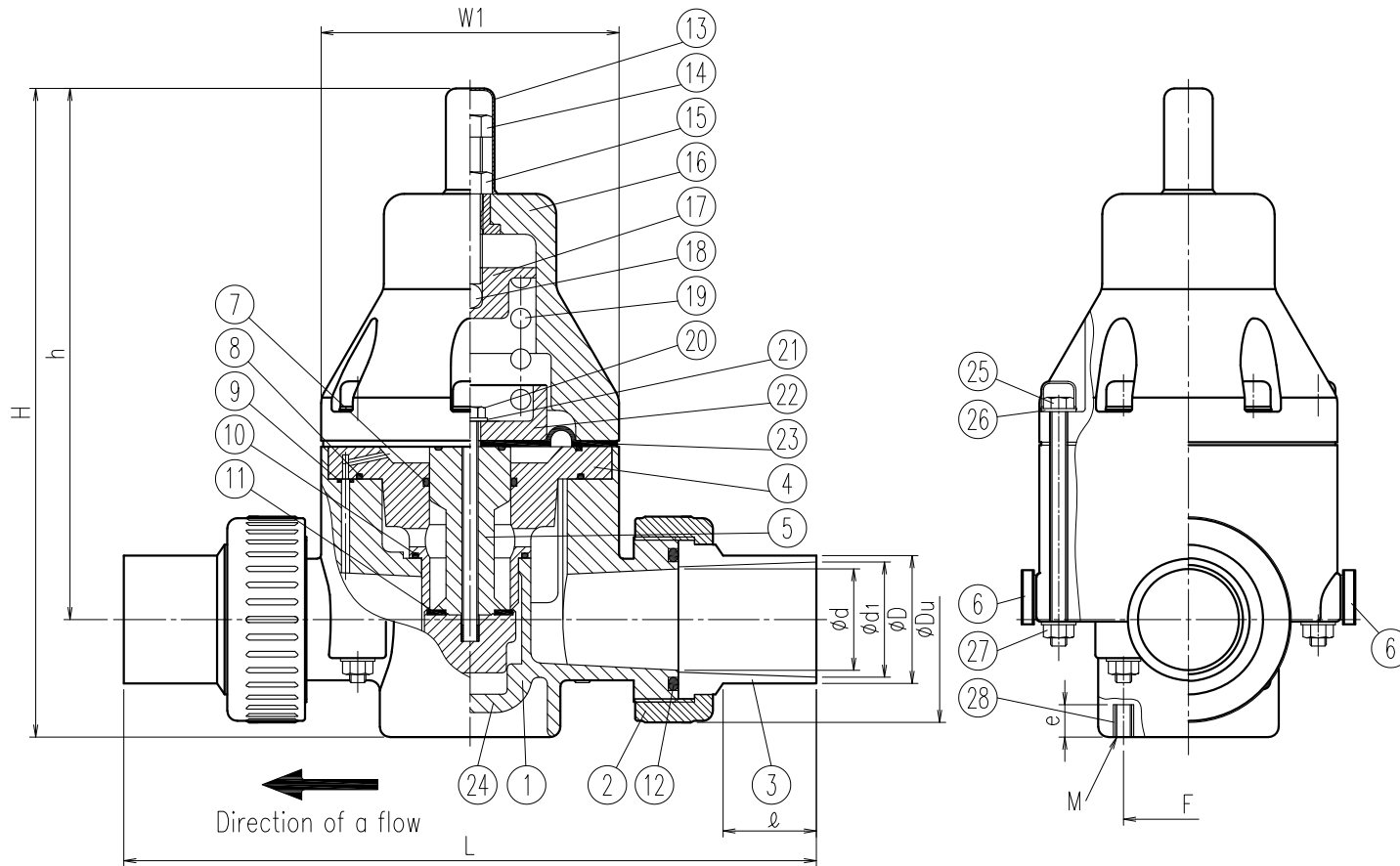
Dimension Table

Unit: mm

Size	A(B)	ϕd	PVC			PVDF			ϕdo	ϕDu	H	h	W1	W2	Insert		Weight kg/unit
			L	Rp	ℓ	L	Rc	ℓ							F	Mxe	
<input type="checkbox"/> 13 (3/8)	10	158±3.0	Rp3/8	15	164±3.0	Rc3/8	14	22	34	197	172	81	77	40	M6x16	0.8	
<input type="checkbox"/> 15 (1/2)	16	161±3.0	Rp1/2	17	172±3.0	Rc1/2	16	27	42	197	172	81	92	40	M6x16	0.9	
<input type="checkbox"/> 20 (3/4)	20	195±3.0	Rp3/4	18	209±3.0	Rc3/4	20	36	53	240	202	107	92	46	M6x16	1.9	
<input type="checkbox"/> 25 (1)	25	201±3.0	Rp1	18	218±3.0	Rc1	24	41	59	240	202	107	92	46	M6x16	1.9	
<input type="checkbox"/> 32 (1-1/4)	32	267±3.0	Rp1-1/4	23	272±3.0	Rc1-1/4	28	53	72	320	262	147	112	65	M8x16	5.0	
<input type="checkbox"/> 40 (1-1/2)	41	277±3.0	Rp1-1/2	23	281±3.0	Rc1-1/2	30	59	81	320	262	147	112	65	M8x16	5.1	
<input type="checkbox"/> 50 (2)	52	292±3.0	Rp2	28	290±3.0	Rc2	33	74	102	320	262	147	112	65	M8x16	5.2	

Remarks) 1. In case insert nut is used for fixing, it should not be screwed in further than e dimension.
 2. Regulation pressure range (at20°C) 0.1~0.9MPa. Max. working pressure (at20°C) 1.0MPa

Client name		Date
Pressure gauge (Display/Connection thread)		Approved by:
<input type="checkbox"/> Standard (SPC/C3604BD)		
<input type="checkbox"/> Glycerin enclosure (SUS304/C3604BD)		
<input type="checkbox"/> SUS (SPC/SUS304)		
<input type="checkbox"/> SUS+Glycerin (SUS304/SUS304)		
Rinsed	<input type="checkbox"/> YES	
ESLON Pressure Regulation Valve Type755		
Thread13-50A (Pressure gauge)		
Drawing No.	PC1550NE-PG	
SEKISUI SEKISUI CHEMICAL CO.,LTD.		



No.	Part Name	Q'TY	Material/Type
1	Body	1	PVDF
2	Union nut	2	
3	Butt Spigot	2	
4	Separate disk	1	
5	Piston	1	
6	Plug	2	
7	O-ring	1	FKM
8	O-ring	1	
9	O-ring	1	
10	O-ring	1	
11	Packing	1	
12	O-ring	2	
13	Cover	1	PE
14	Adjust bolt	1	SUS304
15	Lock unt	1	SUS304
16	Bonnet	1	GF-PP
17	Separate disk	1	SS400+Ni
18	Thrust ball	1	SUS304
19	Adjust spring	1	Spring steel
20	Hexagonal bolt	1	SUS304
21	Washer	1	SUS304
22	Spring plate	1	GF-PP
23	Diaphragm	1	PTFE+EPDM
24	Piston head	1	PVDF
25	Hexagonal bolt	-	SUS304 ※)
26	Washer	-	SUS304 ※)
27	Hexagon nut	-	SUS304 ※)
28	Fixing insert nut	2	SUS304

※) Q'Ty: (15A ... 4, 20A~50A ... 6)

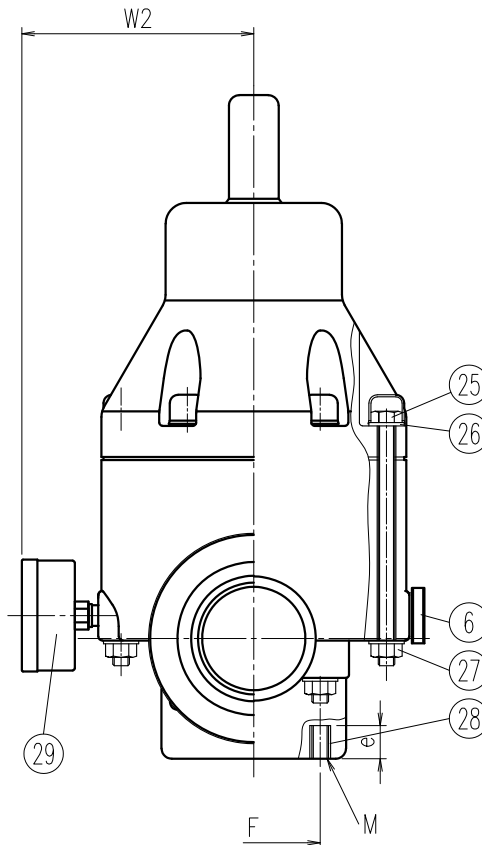
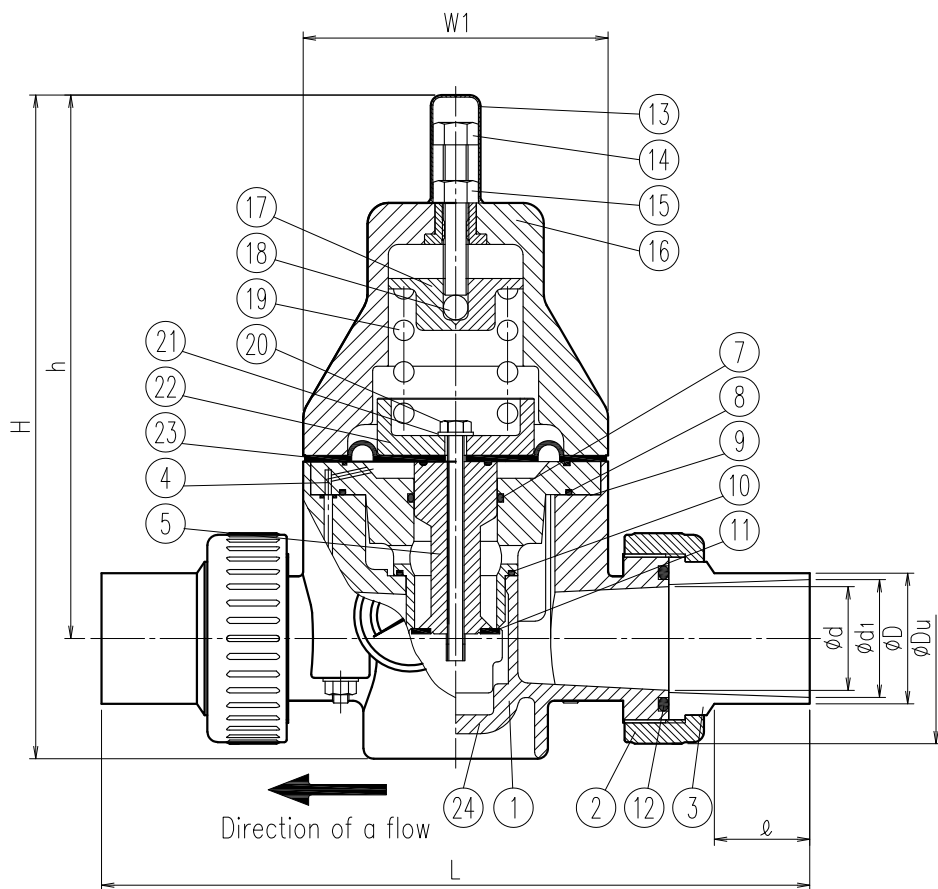
Dimension Table

Unit: mm

Size	A(B)	ød	L	Butt Spigot			øDu	H	h	W1	Insert		Weight (Ref.) kg/台
				ød1	øD	ℓ					F	Mxe	
□ 15(1/2)	16	227	15.8	20.3	38.7	42	197	172	81	40	M6x16	1.0	
□ 20(3/4)	20	260	20.8	25.3	39.4	53	240	202	107	46	M6x16	2.0	
□ 25(1)	25	269	26.9	32.0	41.5	59	240	202	107	46	M6x16	2.0	
□ 32(1-1/4)	32	326	34.6	40.0	42.0	72	320	262	147	65	M8x16	5.1	
□ 40(1-1/2)	41	336	43.5	50.0	44.4	81	320	262	147	65	M8x16	5.2	
□ 50(2)	52	342	56.8	63.0	46.0	102	320	262	147	65	M8x16	5.4	

REMARKS) 1. In case insert nut is used for fixing, it should not be screwed in further than e dimension.
 2. Regulation pressure range (at20°C) 0.1~0.9MPa. Max. working pressure (at20°C) 1.0MPa

Client name		Date
Rinsed	<input type="checkbox"/> YES	Approved by:
ESLON		
Pressure Regulation Valve Type755 Butt Spigot 15-50A		
Drawing No.	PC1550GE	
SEKISUI SEKISUI CHEMICAL CO.,LTD.		



No.	Part Name	Q'TY	Material/Type
1	Body	1	PVDF
2	Union nut	2	
3	Butt Spigot	2	
4	Separate disk	1	
5	Piston	1	
6	Plug	1	
7	O-ring	1	FKM
8	O-ring	1	
9	O-ring	1	
10	O-ring	1	
11	Packing	1	
12	O-ring	2	
13	Cover	1	PE
14	Adjust bolt	1	SUS304
15	Lock nut	1	SUS304
16	Bonnet	1	GF-PP
17	Separate disk	1	SS400+Ni
18	Thrust ball	1	SUS304
19	Adjust spring	1	Spring steel
20	Hexagonal bolt	1	SUS304
21	Washer	1	SUS304
22	Spring plate	1	GF-PP
23	Diaphragm	1	PTFE+EPDM
24	Piston head	1	PVDF
25	Hexagonal bolt	-	SUS304 ※)
26	Washer	-	SUS304 ※)
27	Hexagon nut	-	SUS304 ※)
28	Fixing insert nut	2	SUS304
29	Pressure gauge	1	-

※) Q'Ty: (15A ... 4, 20A~50A ... 6)

Dimension Table

Unit: mm

Size	A(B)	ød	L	Butt Spigot			øDu	H	h	W1	W2	Insert		Weight (Ref.) kg/台
				ød1	øD	ℓ						F	Mxe	
□ 15(1/2)	16	227	15.8	20.3	38.7	42	197	172	81	92	40	M6x16	1.0	
□ 20(3/4)	20	260	20.8	25.3	39.4	53	240	202	107	92	46	M6x16	2.0	
□ 25(1)	25	269	26.9	32.0	41.5	59	240	202	107	92	46	M6x16	2.0	
□ 32(1-1/4)	32	326	34.6	40.0	42.0	72	320	262	147	112	65	M8x16	5.1	
□ 40(1-1/2)	41	336	43.5	50.0	44.4	81	320	262	147	112	65	M8x16	5.2	
□ 50(2)	52	342	56.8	63.0	46.0	102	320	262	147	112	65	M8x16	5.4	

REMARKS) 1. In case insert nut is used for fixing, it should not be screwed in further than e dimension.
 2. Regulation pressure range (at20°C) 0.1~0.9MPa. Max. working pressure (at20°C) 1.0MPa

Client name		Date
Pressure gauge (Display/Connection thread)		Approved by:
<input type="checkbox"/> Standard (SPC/C3604BD)		
<input type="checkbox"/> Glycerin enclosure (SUS304/C3604BD)		
<input type="checkbox"/> SUS (SPC/SUS304)		
<input type="checkbox"/> SUS+Glycerin (SUS304/SUS304)		
Rinsed	<input type="checkbox"/> YES	
ESLON Pressure Regulation Valve Type755		
Butt Spigot 15-50A (Pressure gauge)		
Drawing No.	PC1550GE-PG	
SEKISUI SEKISUI CHEMICAL CO.,LTD.		