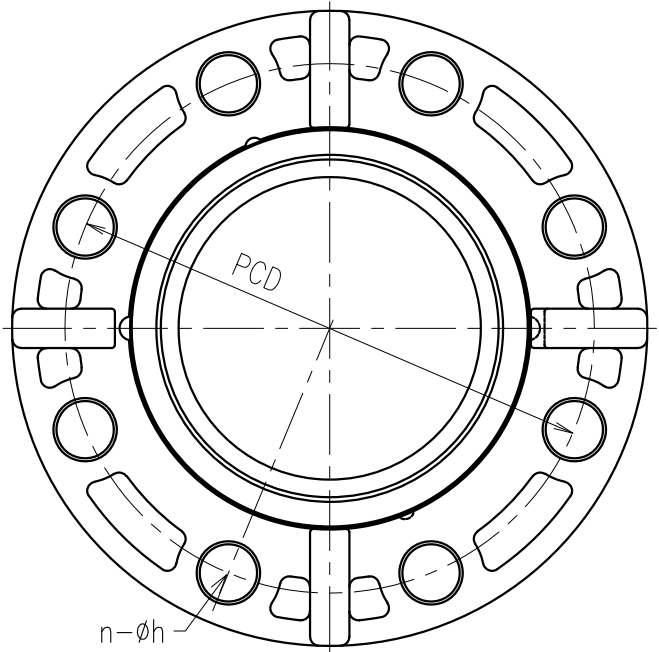
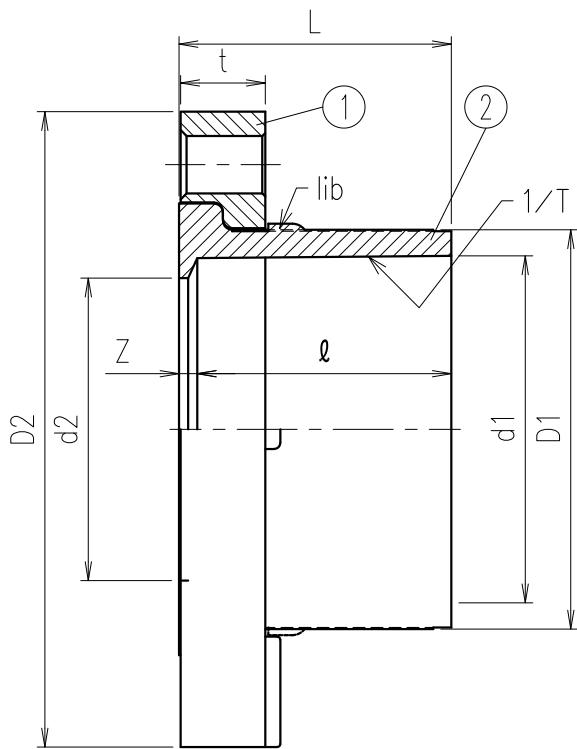


Eslon TS Fittings
TS Loose Flange



Dimension Table

Unit: mm

Size	A(B)	TS Adapter				Flange					L	Z
		d1	1/T	l	D1	D2	PCD	d2	t	n-φh		
□ 15(1/2)		22.4	1/34	30	31	95	70	17	21	4-15	36	6
□ 20(3/4)		26.5	1/34	35	35	100	75	21	21	4-15	41	6
□ 25(1)		32.6	1/34	40	41	125	90	25	21	4-19	46	6
□ 30(1·1/4)		38.6	1/34	44	48	135	100	31	23	4-19	51	7
□ 40(1·1/2)		48.7	1/37	55	61	140	105	41	23	4-19	62	7
□ 50(2)		60.8	1/37	63	73	155	120	52	25	4-19	70	7
□ 65(2 1/2)		76.6	1/48	61	88	175	140	67	25	4-19	70	9
□ 80(3)		89.6	1/49	64	102	185	150	78	27	8-19	72	8
□ 100(4)		114.7	1/56	84	132	210	175	100	28	8-19	90	6
□ 125(5)		140.9	1/58	104	158	250	210	125	28	8-23	114	10
□ 150(6)		166.0	1/63	132	186	280	240	146	32	8-23	142	10
□ 200(8)		217.5	1/50	155	238	330	290	196	36	12-23	166	11
□ *200(8)		217.5	1/50	130	238	330	290	196	36	12-23	141	11

- Remarks)
1. The dimensions of TS Ends are in conformity with JIS K6743
 2. Flange dimensions are according to JIS B 2220:2004.
 3. * Butt spigot flange.
 4. lib 15-40A: 2pieces. 50-200A: 1piece

Eslon TS Fittings TS Loose Flange		DWG No.
		CL152HFFE
SEKISUI SEKISUI CHEMICAL CO.,LTD.	Date	Approved by:
	2019.07.22	