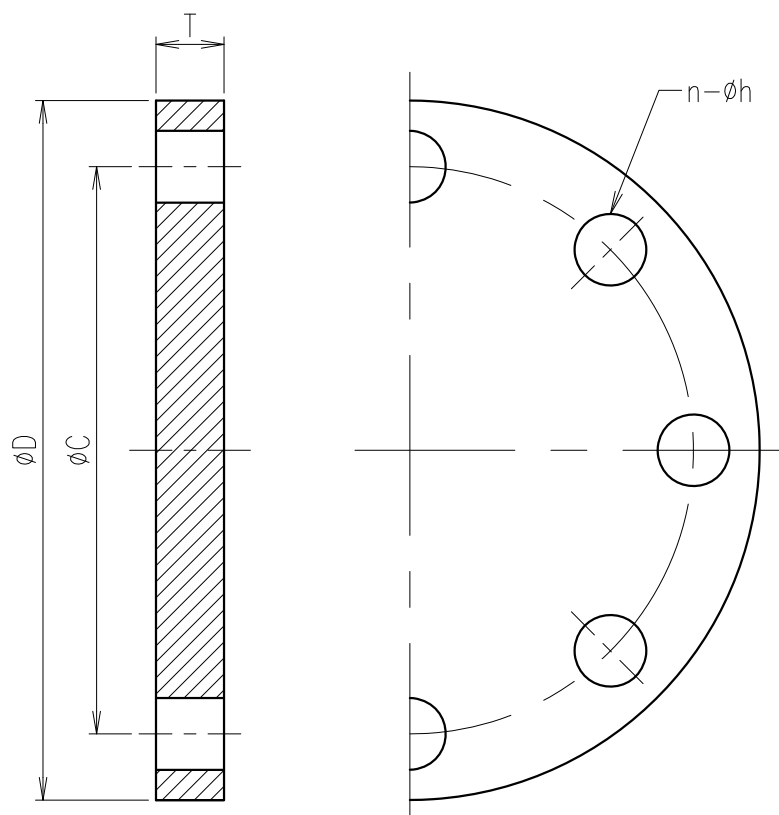


Eslon Clean Stop Flange
JIS10K



Dimension Table

Unit:mm

	A(B)	øD	T	PCD	n-øh	Bolt	
						Size	Length
□	16(1/2)	95	12	70	4-15	M12	50
□	20(3/4)	100	14	75	4-15	M12	50
□	25(1)	125	14	90	4-19	M16	55
□	30(1 1/4)	135	16	100	4-19	M16	60
□	40(1·1/2)	140	16	105	4-19	M16	60
□	50(2)	155	16	120	4-19	M16	70
□	65(2·1/2)	175	18	140	4-19	M16	75
□	80(3)	185	18	150	8-19	M16	75
□	100(4)	210	18	175	8-19	M16	75
□	125(5)	250	20	210	8-23	M20	80
□	150(6)	280	22	240	8-23	M20	85
□	200(8)	330	22	290	12-23	M20	90

Eslon Clean Stop Flange JIS10K		DWG No.
		CB80AFFVE
SEKISUI SEKISUI CHEMICAL CO.,LTD.	Date	Approved by:
	2006.10.31	