

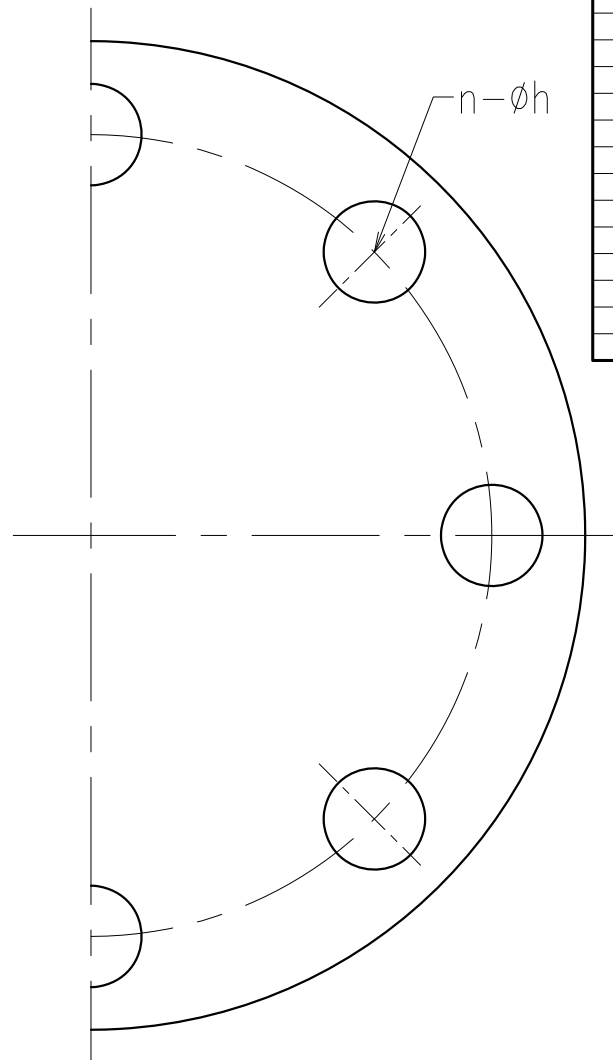
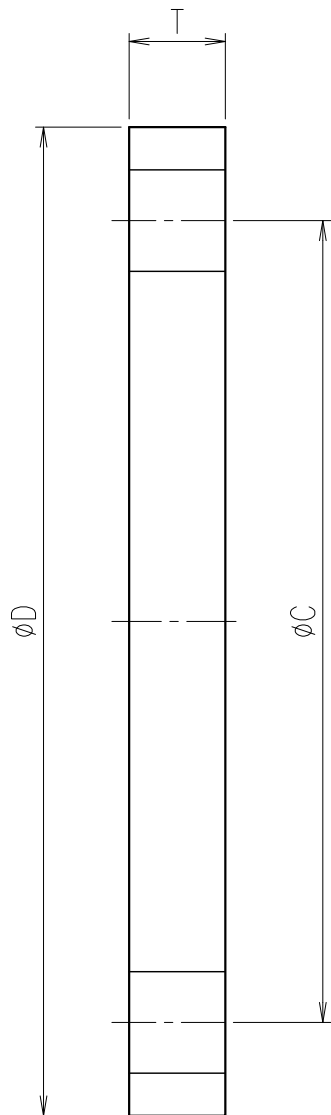
Dimension Table

Unit:mm

Size	A(B)	D2	T	weight kg/Sheet	Item No.
□ 13(3/8)	90	12	0.11	FSP13	
□ 15(1/2)	95	12	0.13	FSP15	
□ 20(3/4)	100	14	0.16	FSP20	
□ 25(1)	125	14	0.25	FSP25	
□ 30(1 1/4)	135	16	0.34	FSP30	
□ 40(1 1/2)	140	16	0.36	FSP40	
□ 50(2)	155	16	0.44	FSP50	
□ 65(2 1/2)	175	18	0.64	FSP65	
□ 80(3)	185	18	0.71	FSP80	
□ 100(4)	210	18	0.92	FSP1H	
□ 125(5)	250	20	1.44	FSP1Q	
□ 150(6)	280	22	1.99	FSP1F	
□ 200(8)	330	22	2.77	FSP2H	
□ 250(10)	400	24	4.31	FSP2F	
□ 300(12)	445	24	5.34	FSP3H	

Note) Flange dimension is in accordance with the following standard; JIS B 2220

Client name		Date
Material	■ PVC	Approved by:
ESLON		
SP FLANGE JIS10K 13(3/8") - 300(12")		
Drawing No.	IP133HFE	
SEKISUI SEKISUI CHEMICAL CO.,LTD.		



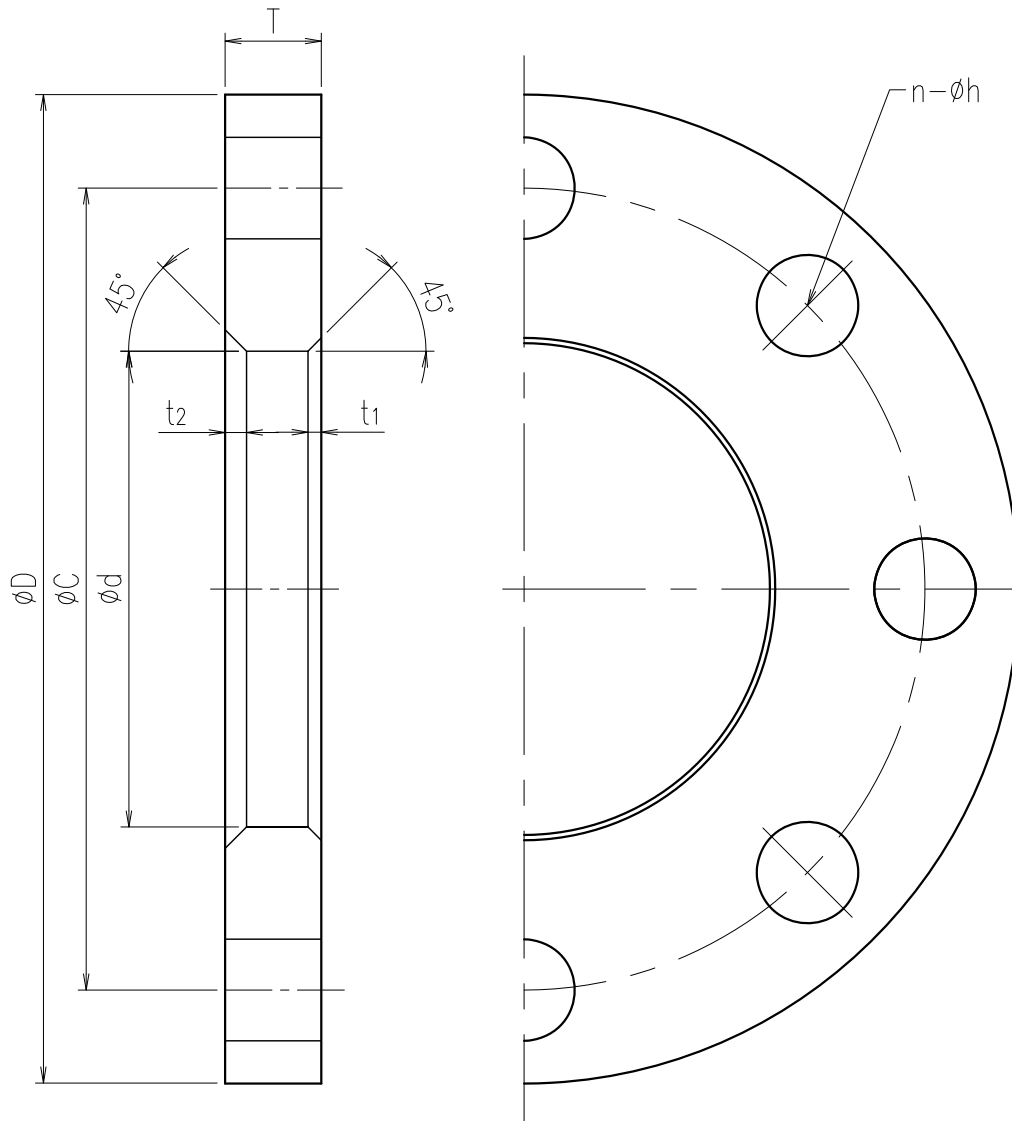
Dimension Table

Unit:mm

Size	A (B)	øD	T	øC	n-øh	Bolt		weight kg/Sheet	Item No.		
						M	length		PVC	HI	C-PVC (HT)
□ 13 (3/8)	90	12	65	4-15	M12	50	0.10	FSB13	-	-	
□ 16 (1/2)	95	12	70	4-15	M12	50	0.11	FSB15	FSBHI15	FSBHT15	
□ 20 (3/4)	100	14	75	4-15	M12	50	0.15	FSB20	FSBHI20	FSBHT20	
□ 25 (1)	125	14	90	4-19	M16	55	0.23	FSB25	FSBHI25	FSBHT25	
□ 30 (1 1/4)	135	16	100	4-19	M16	60	0.31	FSB30	FSBHI30	FSBHT30	
□ 40 (1 1/2)	140	16	105	4-19	M16	60	0.34	FSB40	FSBHI40	FSBHT40	
□ 50 (2)	155	16	120	4-19	M16	70	0.42	FSB50	FSBHI50	FSBHT50	
□ 65 (2 1/2)	175	18	140	4-19	M16	75	0.61	FSB65	FSBHI65	FSBHT65	
□ 80 (3)	185	18	150	8-19	M16	75	0.65	FSB80	FSBHI80	FSBHT80	
□ 100 (4)	210	18	175	8-19	M16	75	0.86	FSB1H	FSBHI1H	FSBHT1H	
□ 125 (5)	250	20	210	8-23	M20	80	1.35	FSB1Q	FSBHI1Q	FSBHT1Q	
□ 150 (6)	280	22	240	8-23	M20	85	1.88	FSB1F	FSBHI1F	FSBHT1F	
□ 200 (8)	330	22	290	12-23	M20	90	2.61	FSB2H	FSBHI2H	FSBHT2H	
□ 250 (10)	400	24	355	12-25	M22	95	3.98	FSB2F	FSBHI2F	FSBHT2F	
□ 300 (12)	445	24	400	16-25	M22	95	4.84	FSB3H	FSBHI3H	FSBHT3H	

Note) Flange dimension is in accordance with the following standard; JIS B 2220

Client name		Date
Material	<input type="checkbox"/> PVC	Approved by:
	<input type="checkbox"/> HI-PVC (15-300A)	
	<input type="checkbox"/> C-PVC (HT) (15-300A)	
ESLON		
SB FLANGE JIS10K 13 (3/8") - 300 (12")		
Drawing No.	IB133HFE	
SEKISUI SEKISUI CHEMICAL CO.,LTD.		



Dimension Table

Unit:mm

Size	A(B)	ϕd	ϕD	T	t1	t2	ϕC	n- ϕh	Bolt		weight kg/Sheet	Item No.
									M	length		
□ 13(3/8)		18	90	12	1.5	3.0	65	4-15	M12	50	0.10	FSJ13
□ 16(1/2)		22	95	12	1.5	3.0	70	4-15	M12	50	0.11	FSJ15
□ 20(3/4)		26	100	14	1.5	3.0	75	4-15	M12	50	0.14	FSJ20
□ 25(1)		32	125	14	1.5	3.0	90	4-19	M16	55	0.21	FSJ25
□ 30(1 1/4)		38	135	16	2.5	3.0	100	4-19	M16	60	0.28	FSJ30
□ 40(1 1/2)		48	140	16	2.5	3.0	105	4-19	M16	60	0.29	FSJ40
□ 50(2)		60	155	16	2.5	4.0	120	4-19	M16	70	0.35	FSJ50
□ 65(2 1/2)		76	175	18	2.5	4.0	140	4-19	M16	75	0.49	FSJ65
□ 80(3)		89	185	18	2.5	4.0	150	8-19	M16	75	0.49	FSJ80
□ 100(4)		114	210	18	3.0	4.0	175	8-19	M16	75	0.59	FSJ1H
□ 125(5)		140	250	20	4.0	4.0	210	8-23	M20	80	0.89	FSJ1Q
□ 150(6)		165	280	22	4.0	4.0	240	8-23	M20	85	1.19	FSJ1F
□ 200(8)		216	330	22	4.0	4.0	290	12-23	M20	90	1.42	FSJ2H
□ 250(10)		267	400	24	4.0	4.0	355	12-25	M22	95	2.19	FSJ2F
□ 300(12)		321	445	24	4.0	4.0	400	16-25	M22	95	2.29	FSJ3H

Note) Flange dimension is in accordance with the following standard; JIS B 2220

Client name		Date
Material	■ PVC	Approved by:
ESLON		
SJ FLANGE JIS10K 13(3/8") - 300(12")		
Drawing No.	IJ133HFE	
SEKISUI SEKISUI CHEMICAL CO.,LTD.		