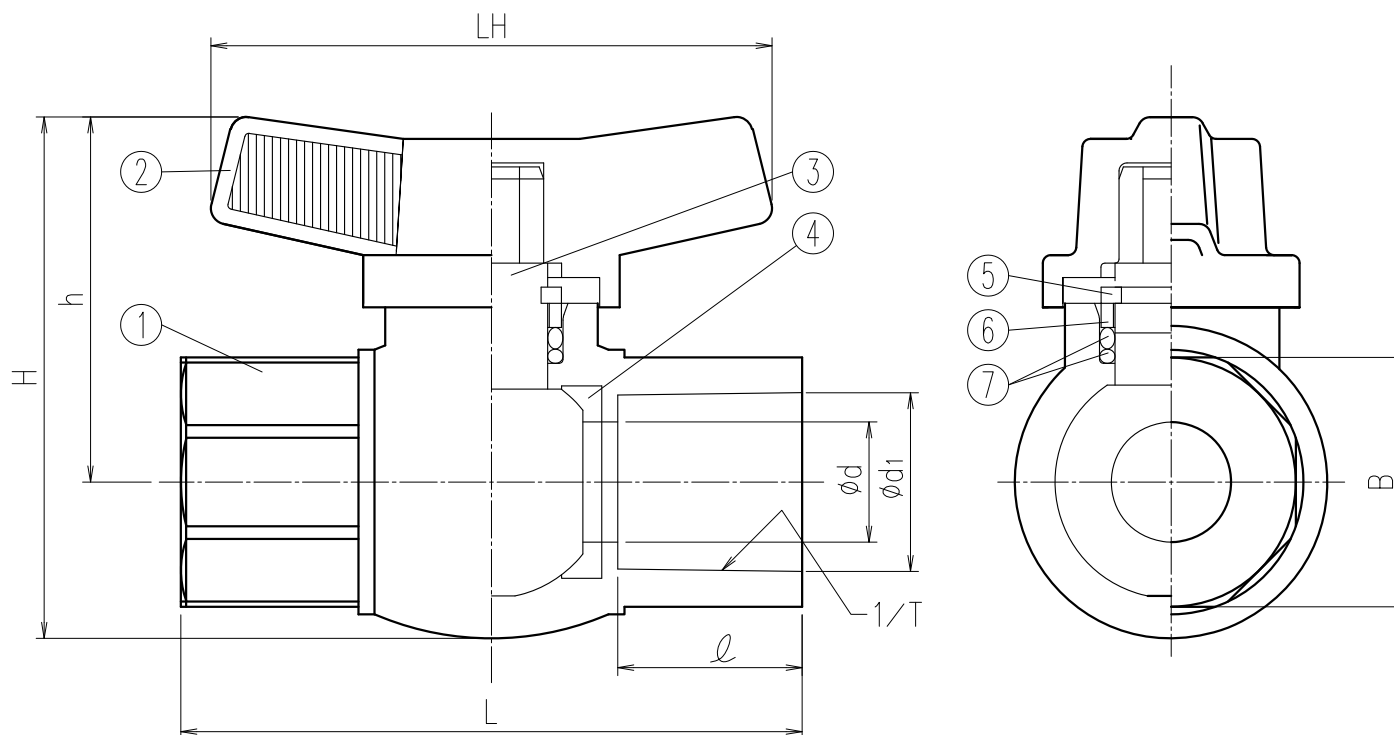


No.	Part Name	Q'TY	Material/Type
1	Body	1	PVC
2	Handle	1	ABS
3	Stem	1	CPVC
4	Ball Seat	2	PTFE
5	Ring	1	PVDF
6	Collar	1	PVDF
7	O-Ring	2	<input type="checkbox"/> EPDM <input type="checkbox"/> FKM



Dimension Table

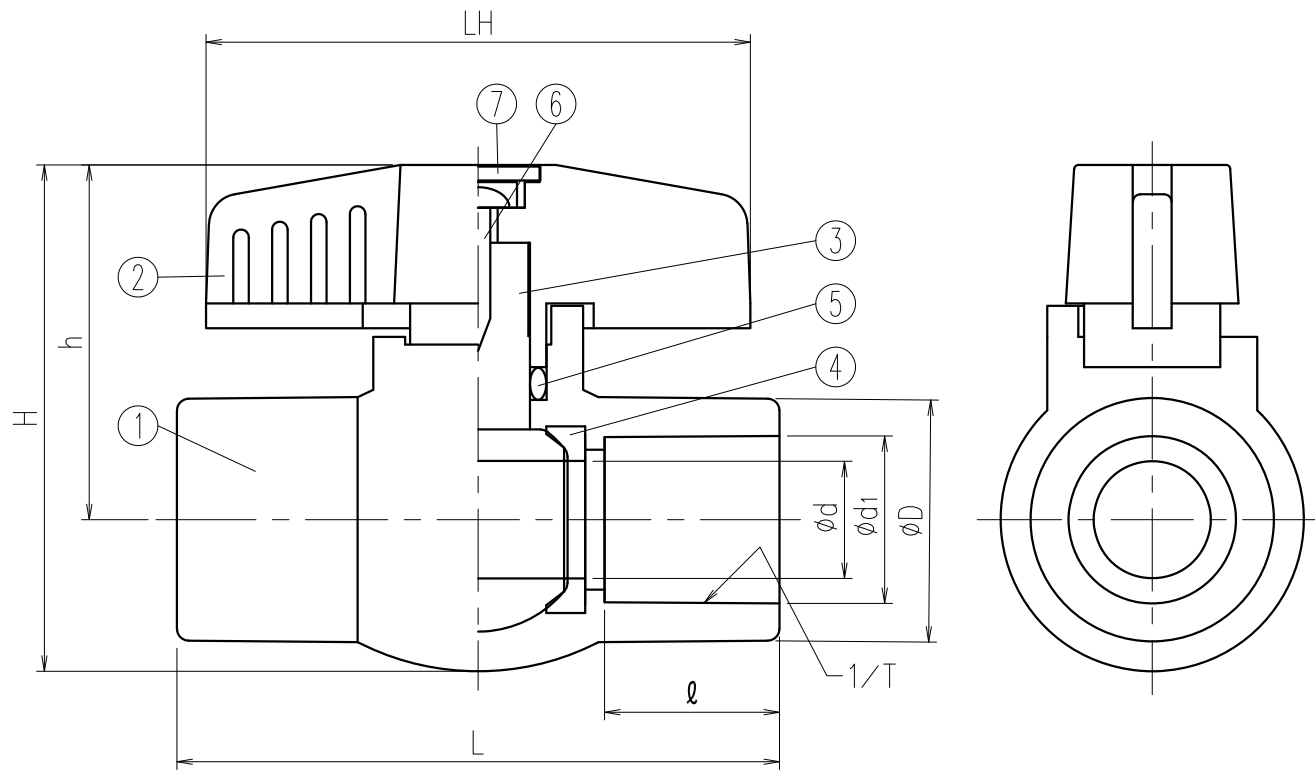
Unit:mm

Size	A(B)	ød	L	TS Socket				H	h	LH
				ød1	1/T	l	B			
<input type="checkbox"/>	13 (3/8)	13	72.5±3.0	18.3	1/30	18.0	25.4	65	45.5	70

1. Handle standard color is orange.

Client name		Date
Handle Color	<input type="checkbox"/> Orange (Standard)	Approved by:
	<input type="checkbox"/> Blue <input type="checkbox"/> Ivory	
<input type="checkbox"/> Green <input type="checkbox"/> Yellow		
<input type="checkbox"/> White		
Rinsed	<input type="checkbox"/> YES	
ESLON Compact Ball Valve TS socket type 13 (3/8") - 20 (3/4")		
Drawing No. CB1320SE		
SEKISUI SEKISUI CHEMICAL CO.,LTD.		

No.	Part Name	Q'TY	Material/Type
1	Body	1	PVC
2	Handle	1	ABS
3	Stem	1	CPVC
4	Ball Seat	2	TPO
5	O-Ring	1	<input type="checkbox"/> EPDM <input type="checkbox"/> FKM
6	Screw	1	SUS304
7	Cap	1	ABS



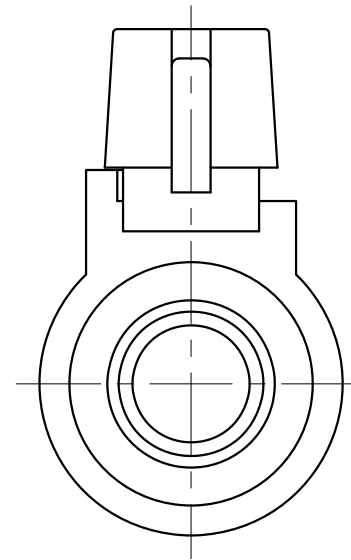
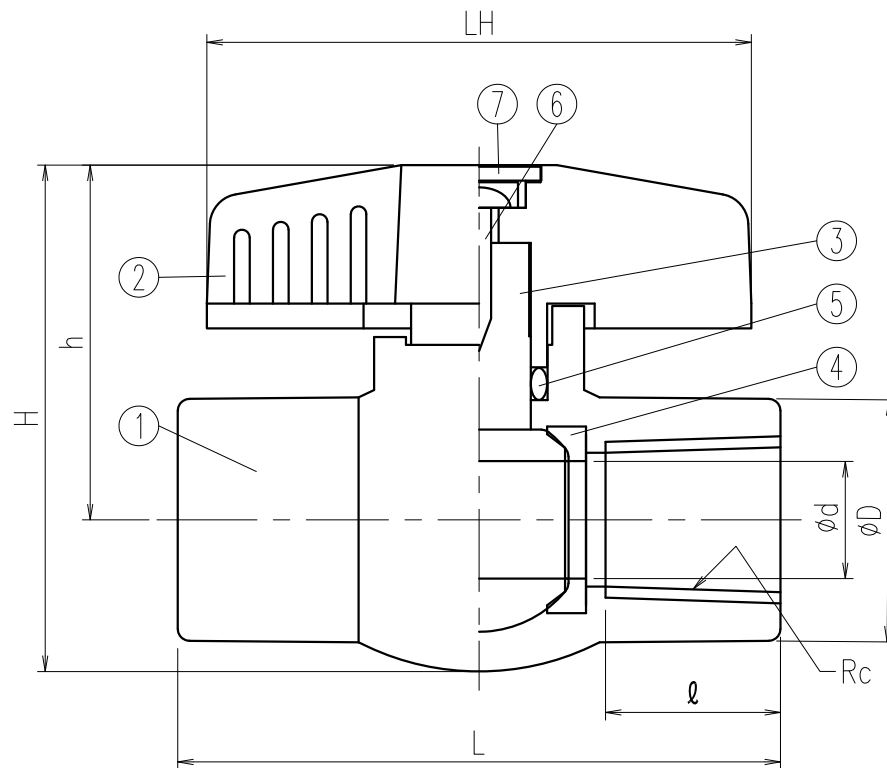
Dimension Table

Unit:mm

Size	A(B)	ød	L	TS Socket				H	h	LH
				ød1	1/T	l	D			
<input type="checkbox"/> 15(1/2)	15	77.5±3.0	22.3	1/37	22.4	31.0	65	45.5	70	
<input type="checkbox"/> 20(3/4)	20	90.0±3.0	26.3	1/42	25.6	37.0	75	52.0	79	

Client name		Date
Rinsed	<input type="checkbox"/> YES	Approved by:
ESLON		
Compact Ball Valve TS socket 15-20A		
Drawing No.	CBM1520SE	
SEKISUI SEKISUI CHEMICAL CO.,LTD.		

No.	Part Name	Q'TY	Material/Type
1	Body	1	PVC
2	Handle	1	ABS
3	Stem	1	CPVC
4	Ball Seat	2	TPO
5	O-Ring	1	□EPDM □FKM
6	Screw	1	SUS304
7	Cap	1	ABS



Dimension Table

Unit:mm

Size	A(B)	ød	L	Thread			H	h	LH
				Rc	ℓ	D			
□ 15(1/2)	15	15	77.5±3.0	Rc1/2	18	31.0	65	45.5	70
□ 20(3/4)	20	20	90.0±3.0	Rc3/4	18	37.0	75	52.0	79

Client name		Date
Rinsed	<input type="checkbox"/> YES	Approved by:
ESLON		
Compact Ball Valve Thread Type 15-20A		
Drawing No.	CBM1520NE	
SEKISUI SEKISUI CHEMICAL CO.,LTD.		