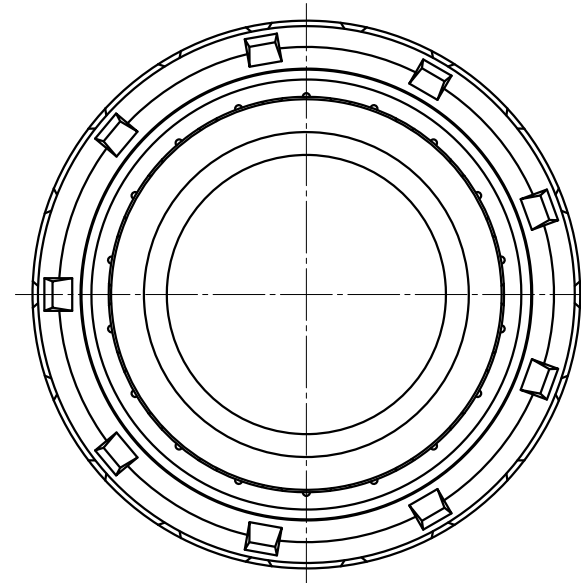
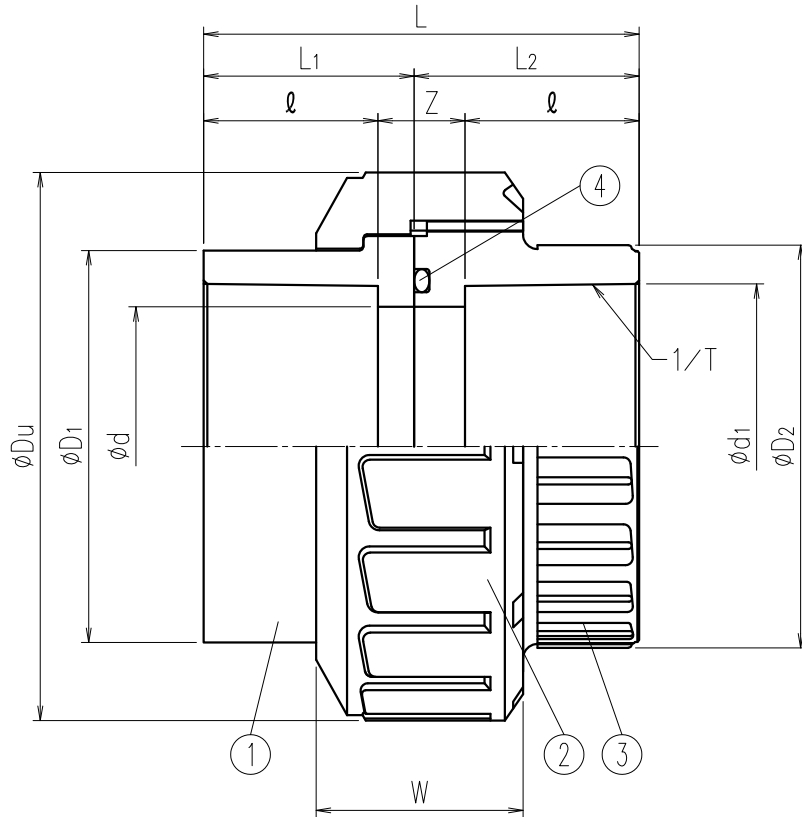


No.	Part Name	Q'ty	Material/Type
1	Socket A	1	□PVC
2	Union Nut	1	□HT
3	Socket B	1	
4	O-Ring	1	□EPDM □FKM



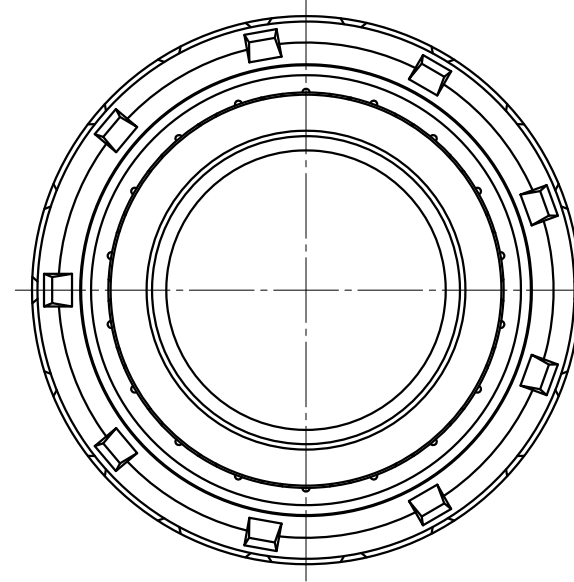
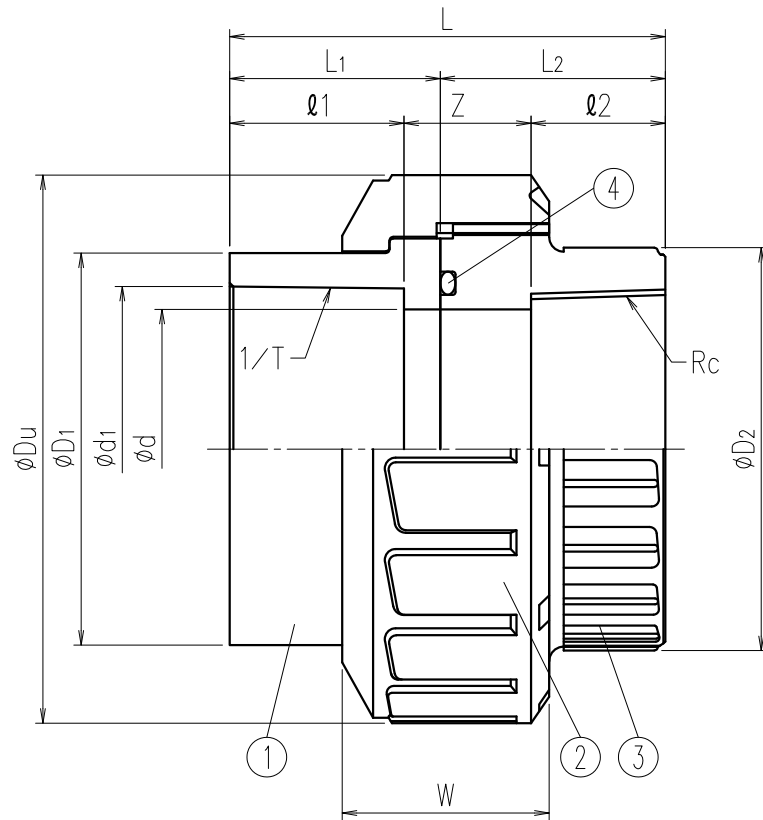
Dimension Table

Unit:mm

Size	A (B)	TS Socket			L	L1	L2	Z	d	Du (Ref.)	D1 (Ref.)	D2 (Ref.)	W (Ref.)	O-Ring Size
		d1	1/T	ℓ										
□ 13 (3/8)		18.30	1/30	18	42±1.5	20	22	6	13	40	24	26	17	P16
□ 16 (1/2)		22.30	1/37	22	52±1.5	25	27	8	15	46	30	32	20	P20
□ 20 (3/4)		26.30	1/42	25	59±1.5	28	31	9	20	54	35	37	23	P24
□ 25 (1)		32.33	1/44	29	67±1.5	32	35	9	25	67	43	45	28	P30
□ 30 (1-1/4)		38.43	1/37	32	76±1.5	36	40	12	31	78	53	55	31	P36
□ 40 (1-1/2)		48.46	1/38	35	82±1.5	39	43	12	40	87	61	63	42	P46
□ 50 (2)		60.56	1/34	38	92±1.5	43	49	16	51	107	76	78	43	P58
□ 65 (2-1/2)		76.60	1/38	45	108±1.5	52	56	18	65	128	90	93	50	P71
□ 75 (3)		89.60	1/40	48	120±1.5	58	62	24	77	151	108	111	57	P85
□ 100 (4)		114.70	1/42	58	152±1.5	72	80	36	100	185	132	136	72	P112

Client name		Date
Oil Free	<input type="checkbox"/> YES	Approved by:
ESLON TRUE UNION FITTING Compact Type (TS Socket) 13A-100A Drawing No. UNT131HSE		
SEKISUI SEKISUI CHEMICAL CO.,LTD.		

No.	Part Name	Q'ty	Material/Type
1	Socket A	1	PVC
2	Union Nut	1	
3	Socket B	1	□EPDM □FKM
4	O-Ring	1	

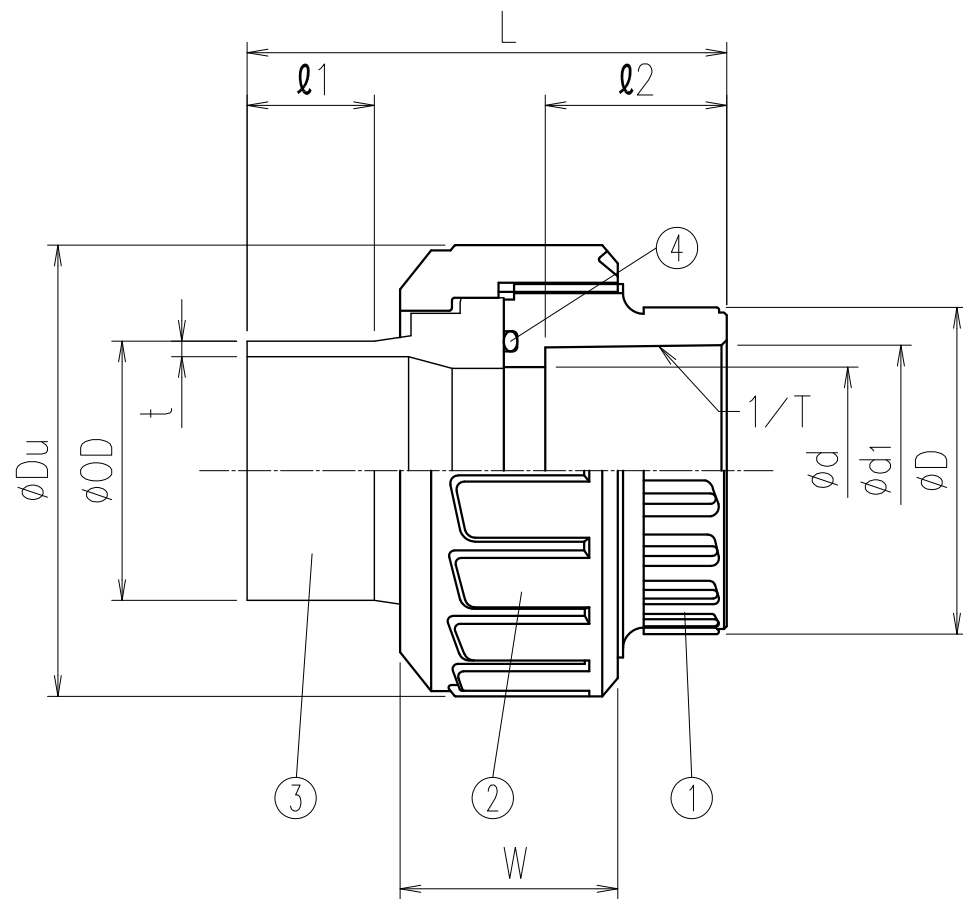


Dimension Table

Unit:mm

Size	A (B)	TS Socket			Thread		L	L1	L2	Z	d	Du (Ref.)	D1 (Ref.)	D2 (Ref.)	W (Ref.)	O-Ring Size
		d1	1/T	ø1	Rc	ø2										
□ 13 (3/8)	18.30	1/30	18	3/8	13	42±1.5	20	22	11	13	40	24	26	17	P16	
□ 16 (1/2)	22.30	1/37	22	1/2	16	52±1.5	25	27	14	15	46	30	32	20	P20	
□ 20 (3/4)	26.30	1/42	25	3/4	17	59±1.5	28	31	17	20	54	35	37	23	P24	
□ 25 (1)	32.33	1/44	29	1	21	67±1.5	32	35	17	25	67	43	45	28	P30	
□ 30 (1-1/4)	38.43	1/37	32	1-1/4	22	76±1.5	36	40	22	31	78	53	55	31	P36	
□ 40 (1-1/2)	48.46	1/38	35	1-1/2	22	82±1.5	39	43	25	40	87	61	63	42	P46	
□ 50 (2)	60.56	1/34	38	2	23	92±1.5	43	49	31	51	107	76	78	43	P58	
□ 65 (2-1/2)	76.60	1/38	45	2-1/2	31	108±1.5	52	56	32	65	128	90	93	50	P71	
□ 75 (3)	89.60	1/40	48	3	33	120±1.5	58	62	39	77	151	108	111	57	P85	
□ 100 (4)	114.70	1/42	58	4	35	152±1.5	72	80	59	100	185	132	136	72	P112	

Client name		Date
Oil Free	<input type="checkbox"/> YES	Approved by:
ESLON True Union Fitting Compact Type (TS Socket x Thread) 13-100A		
Drawing No.	UTN131HSNE	
SEKISUI SEKISUI CHEMICAL CO.,LTD.		



No.	Part Name	数量	材質/型式
1	Body	1	□PVC
2	Union Nut	1	□HT
3	Butt Spigot	1	PVDF
4	Union O-ring	1	□EPDM □FKM

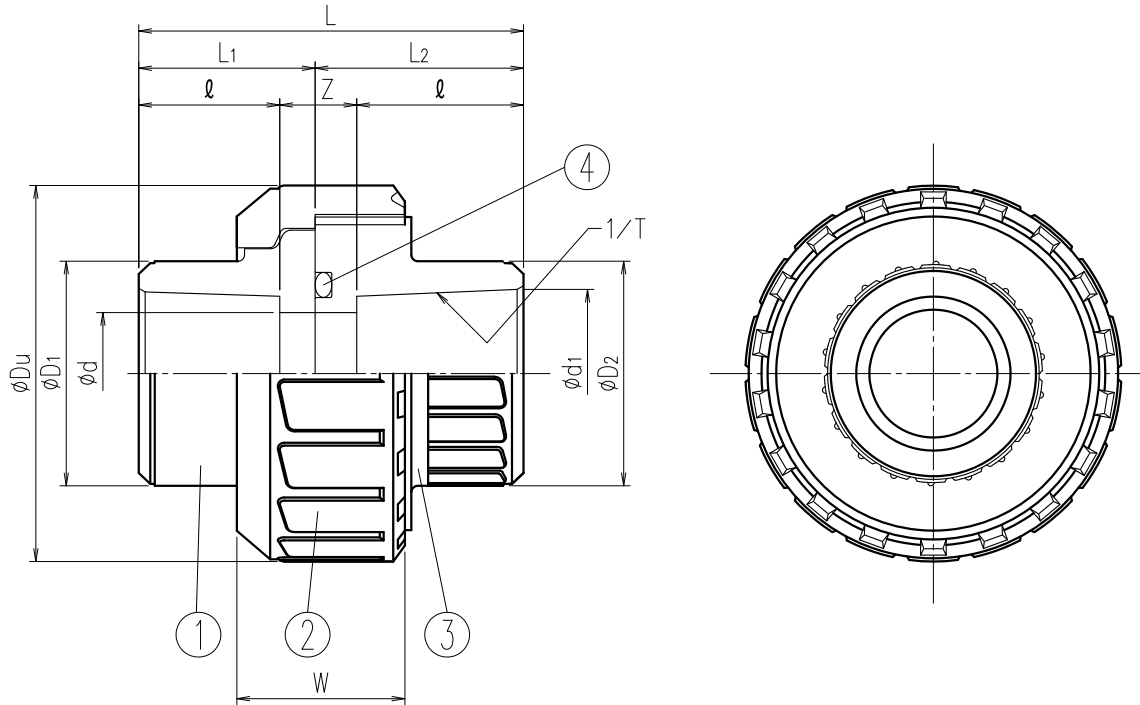
Dimension Table

Unit:mm

Size	A(B)	L	Butt Spigot			TS Socket			d	Du	D	W	O-ring
			l1	∅OD	t	∅d1	1/T	l2					
□ 16(1/2)		72	30	20	1.9	22.3	1/37	22	15	46	32	20	P20
□ 20(3/4)		76	24	25	1.9	26.3	1/42	25	20	54	37	23	P24
□ 25(1)		81	24	32	2.4	32.3	1/44	29	25	67	45	28	P30
□ 30(1·1/4)		85	25	40	2.4	38.4	1/37	32	31	78	55	31	P36
□ 40(1·1/2)		93	24	50	3.0	48.5	1/38	35	40	87	63	42	P46
□ 50(2)		104	28	63	3.0	60.6	1/34	38	51	107	78	43	P58

Client name		Date
Oil Free	<input type="checkbox"/> YES	Approved by:
ESLON TRUE UNION COMPACT TYPE PVDF TRANSTION SIZE 15(1/2") - 50(2")		
Drawing No. UN1550TBE		
SEKISUI SEKISUI CHEMICAL CO.,LTD.		

No.	Part Name	Q'ty	Material
1	TS Socket	1	□ PVC
2	Union Nut	1	□ HT (Only 16-50A)
3	Body	1	
4	O-Ring	1	□ EPDM □ FKM



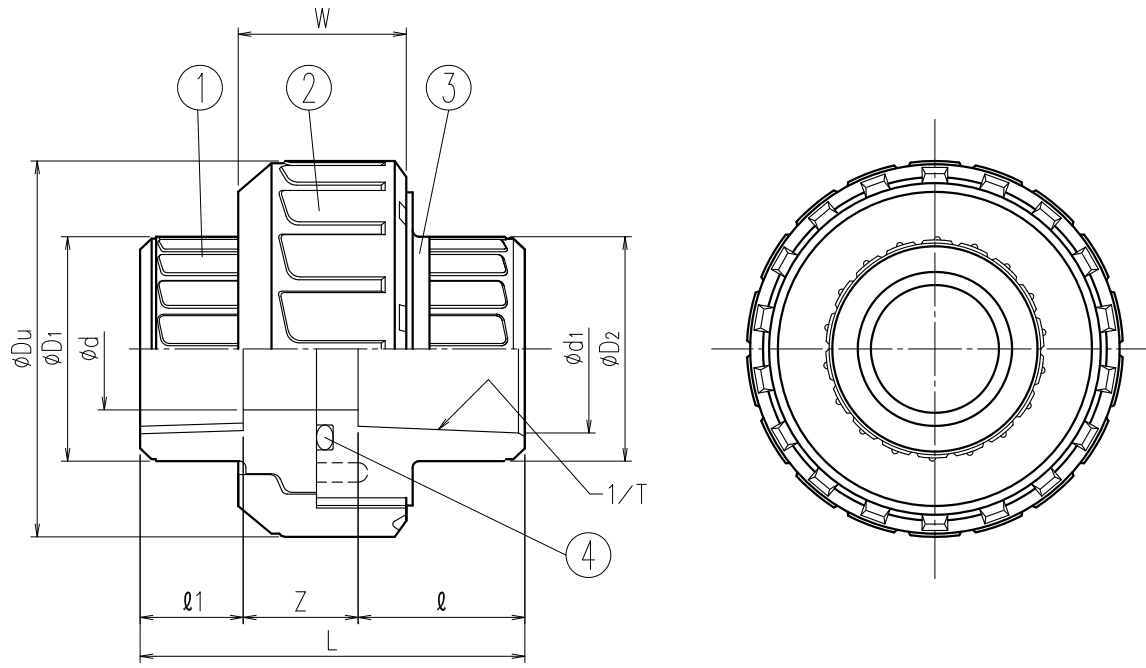
Dimension Table

Unit:mm

Size	A(B)	TS Socket			L	L1	L2	Z	d	Du (Ref.)	D1 (Ref.)	D2 (Ref.)	W (Ref.)	O-Ring Size
		d1	1/T	ℓ										
□ 16(1/2)		22.3	1/37	22	59±1.5	29.0	30.0	13.0	16	49	33	31	24	P20
□ 20(3/4)		26.3	1/42	25	68±1.5	35.0	33.0	16.0	20	59	35	36	27	P24
□ 25(1)		32.3	1/43	29	78±1.5	36.0	42.0	20.0	25	67	44	44	31	P30
□ 30(1·1/4)		38.4	1/37	32	90±1.5	44.5	45.5	26.0	30	81	54	54	31	P36
□ 40(1·1/2)		48.5	1/38	35	94±1.5	42.0	52.0	24.0	40	98	65	67	40	P48A
□ 50(2)		60.6	1/34	38	110±1.5	49.0	61.0	34.0	50	120	77	79	43	P56
□ 65(2 1/2)		76.6	1/48	45	122.5±1.5	50.0	72.5	32.5	67	150	96	100	50	P75
□ 75(3)		89.6	1/49	48	146.0±1.5	56.0	90.0	50.0	80	185	112	116	67	P95
□ 100(4)		114.7	1/56	58	173.4±1.5	65.5	107.9	57.4	102	228	144	146	82	P115

Client name		Date
Oil Free	<input type="checkbox"/> YES	Approved by:
ESLON True Union Fitting Compatible Type (TS Socket) 16-100A		
Drawing No.	UT151HSE	
SEKISUI SEKISUI CHEMICAL CO.,LTD.		

No.	Part Name	Q'ty	Material
1	Thread	1	
2	Union Nut	1	□PVC
3	Body	1	
4	O-Ring	1	□EPDM □FKM



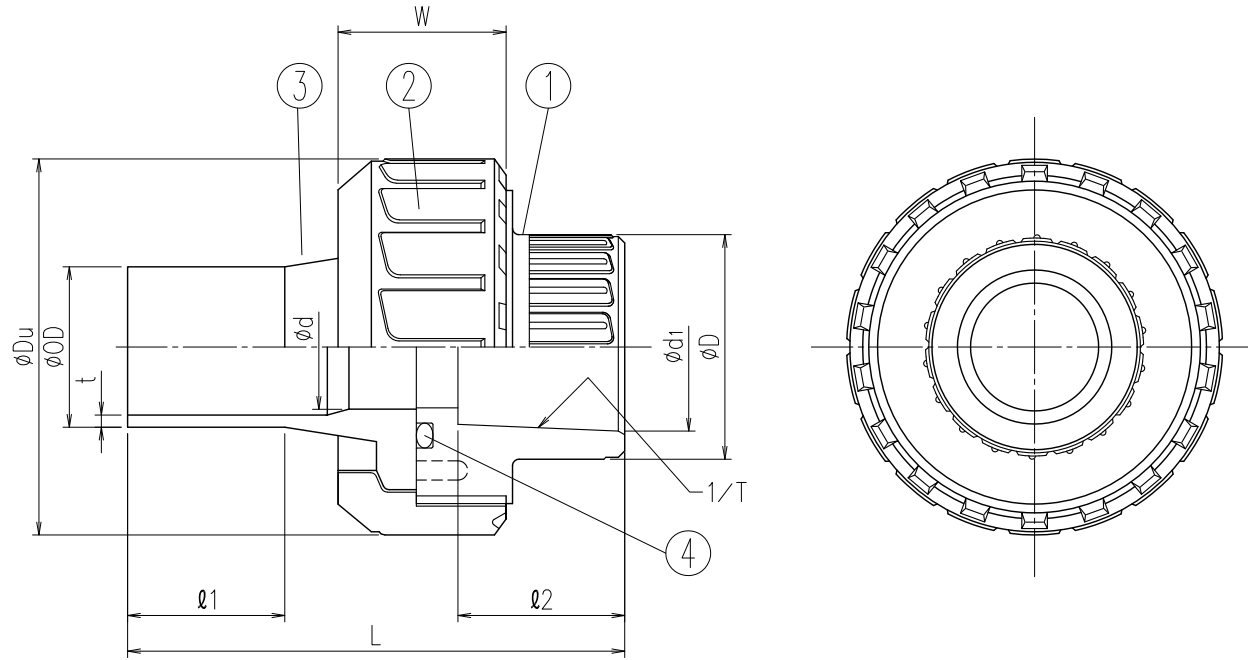
Dimension Table

Unit:mm

Size	A(B)	Thread		TS Socket			L	Z	d	Du (Ref.)	D1 (Ref.)	D2 (Ref.)	W (Ref.)	O-Ring Size
		Rc	l1	d1	1/T	l								
□ 16(1/2)		Rc1/2	18	22.3	1/37	22	52.0±3.0	19.0	16	49	30	31	24	P20
□ 20(3/4)		Rc3/4	18	26.3	1/42	25	60.5±3.0	25.5	20	59	35	36	27	P24
□ 25(1)		Rc1	23	32.3	1/43	29	71.0±3.0	23.0	25	67	44	44	31	P30
□ 30(1·1/4)		Rc1·1/4	23	38.4	1/37	32	79.5±3.0	23.5	30	81	54	54	31	P36
□ 40(1·1/2)		Rc1·1/2	25	48.5	1/38	35	88.5±3.0	34.0	40	98	65	67	40	P48A
□ 50(2)		Rc2	30	60.6	1/34	38	103.5±3.0	37.5	50	120	77	79	43	P56
□ 65(2 1/2)		Rc2·1/2	32	76.6	1/48	45	130.0±3.0	32.5	67	150	96	100	50	P75
□ 75(3)		Rc3	37	89.6	1/49	48	154.0±3.0	50.0	80	185	112	116	67	P95
□ 100(4)		Rc4	45	114.7	1/56	58	181.5±3.0	57.4	102	228	144	146	82	P115

Client name		Date
Oil Free	<input type="checkbox"/> YES	Approved by:
ESLON True Union Fitting Compatible Type (TS Socket xThread) 16-100A		
Drawing No.	UT151HNE	
SEKISUI SEKISUI CHEMICAL CO.,LTD.		

No.	Part Name	Q'ty	Material
1	Body	1	□PVC
2	Union Nut	1	□HT (15-50A)
3	Butt Spigot	1	PVDF
4	O-Ring	1	□EPDM □FKM



Dimension Table

Unit:mm

Size	A(B)	L	Butt Spigot			TS Socket				d	Du (Ref.)	W (Ref.)	O-Ring Size
			l1	øOD	t	ød1	1/T	l2	D				
□ 16 (1/2)		75	30	20	1.9	22.3	1/37	22	32	16	49	24	P20
□ 20 (3/4)		77	24	25	1.9	26.3	1/42	25	37	20	59	27	P24
□ 25 (1)		88	24	32	2.4	32.3	1/44	29	45	25	67	31	P30
□ 30 (1·1/4)		90	25	40	2.4	38.4	1/37	32	55	30	81	31	P36
□ 40 (1·1/2)		103	24	50	3.0	48.5	1/38	35	63	40	98	40	P48A
□ 50 (2)		118	28	63	3.0	60.6	1/34	38	78	50	120	43	P56
□ 65 (2 1/2)		121	23	75	3.6	76.6	1/48	45	100	67	150	50	P75
□ 75 (3)		166	45	90	4.3	89.6	1/49	48	116	80	185	67	P95
□ 100 (4)		188	43	110	5.3	114.7	1/56	58	146	102	228	82	P115

Client name		Date
Oil Free	<input type="checkbox"/> YES	Approved by:
ESLON True Union Fitting Compatible Type (TS Socket x Butt Spigot) 16-100A		
Drawing No.	UT151HBE	
SEKISUI SEKISUI CHEMICAL CO.,LTD.		