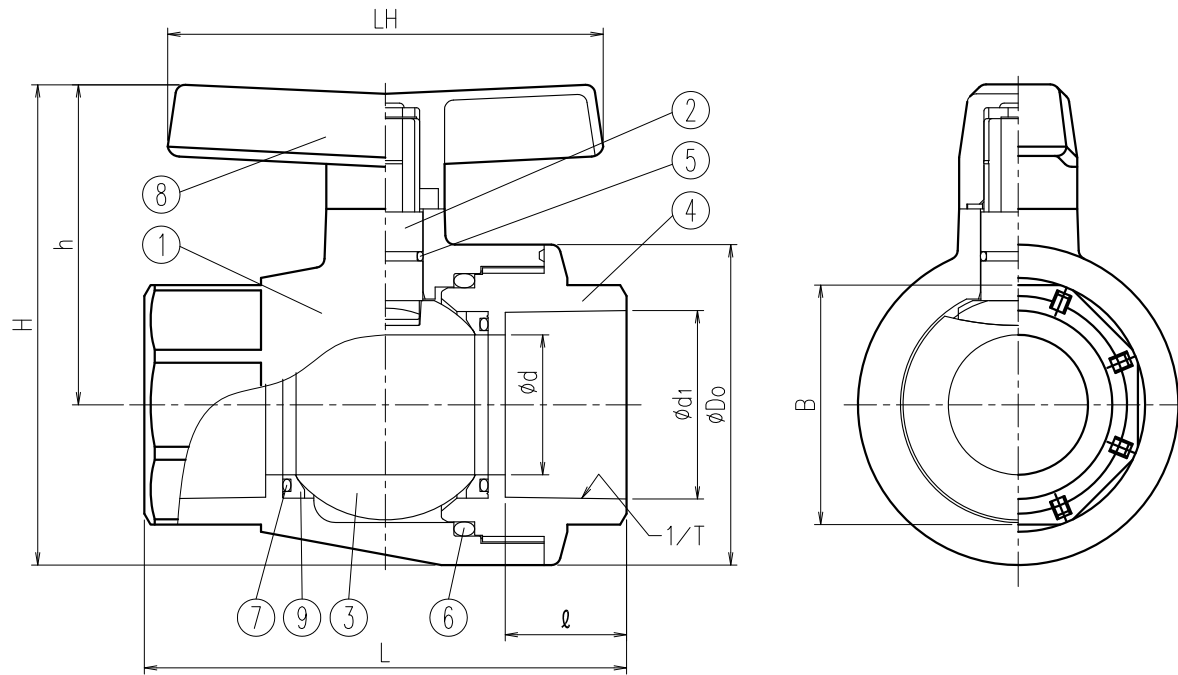


No.	Part Name	Q'TY	Material/Type
1	Body	1	PVC
2	Stem	1	
3	Ball	1	
4	Body Cap	1	
5	Stem O-Ring	1	□EPDM □FKM
6	Body O-Ring	1	
7	BackUp O-Ring	2	
8	Handle	1	ABS
9	Ball Seat	2	PTFE



Dimension Table

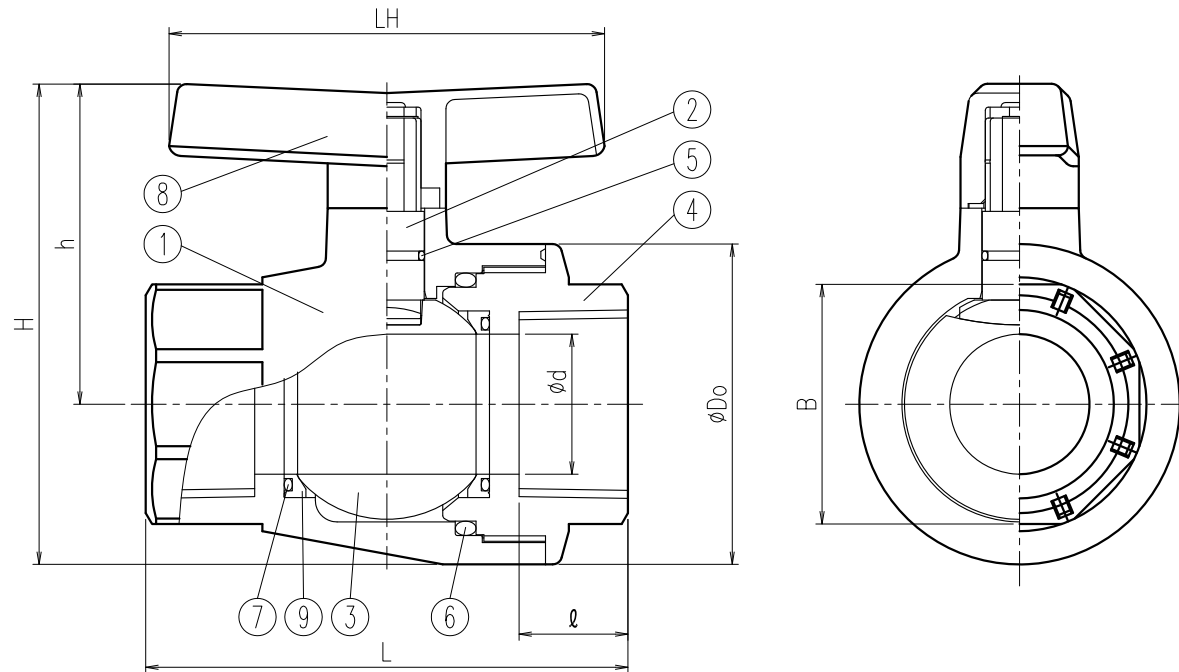
Unit:mm

Size	A(B)	ϕd	L	TS Socket				H	h	ϕDo	LH
				$\phi d1$	1/T	l	B				
□ 25 (1)		25	113±3.0	32.3	1/43	29	46	96	64	66	95
□ 32 (1·1/4)		29	114±3.0	38.4	1/37	32	60 (54)	119	82	74	110
□ 40 (1·1/2)		35	130±3.0	48.5	1/38	35	65	133	91	85	110
□ 50 (2)		45	155±3.0	60.6	1/35	39	77	154	103	103	140

Remarks) 1.The octagonal part of 32A differs by the Body and Bodycap side.
The value by the side of a Body is indicated by ().

Client name		Date
Handle Color	□Orange (Standard)	Approved by:
	□Blue □Ivory	
□Green □Yellow		
□White		
Rinsed	□Yes	
ESLON Lock Ball Valve TS socket type 25 (1") -50 (2")		
Drawing No. LV2550SE		
SEKISUI SEKISUI CHEMICAL CO.,LTD.		

No.	Part Name	Q'TY	Material/Type
1	Body	1	PVC
2	Stem	1	
3	Ball	1	
4	Body Cap	1	
5	Stem O-Ring	1	□EPDM
6	Body O-Ring	1	□FKM
7	BackUp O-Ring	2	
8	Handle	1	ABS
9	Ball Seat	2	PTFE



Dimension Table

Unit:mm

Size	A (B)	ϕd	L	Thread			H	h	ϕDo	LH
				Rc	ϕ	B				
□ 25 (1)	25	25	113±3.0	Rc1	23	46	96	64	66	95
□ 32 (1·1/4)	29	29	114±3.0	Rc1·1/4	28	60 (54)	119	82	74	110
□ 40 (1·1/2)	35	35	130±3.0	Rc1·1/2	30	65	133	91	85	110
□ 50 (2)	45	45	155±3.0	Rc2	35	77	154	103	103	140

Remarks) 1. Thread dimension is in accordance with the following standard;JIS B 0203
2.The octagonal part of 32A differs by the Body and Bodycap side. The value by the side of a Body is indicated by ().

Client name		Date
Handle Color	<input type="checkbox"/> Orange (Standard) <input type="checkbox"/> Blue <input type="checkbox"/> Ivory <input type="checkbox"/> Green <input type="checkbox"/> Yellow <input type="checkbox"/> White	Approved by:
Rinsed	<input type="checkbox"/> Yes	
ESLON Lock Ball Valve Threaded socket type 25 (1") -50 (2")		
Drawing No. LV2550NE		
SEKISUI SEKISUI CHEMICAL CO.,LTD.		