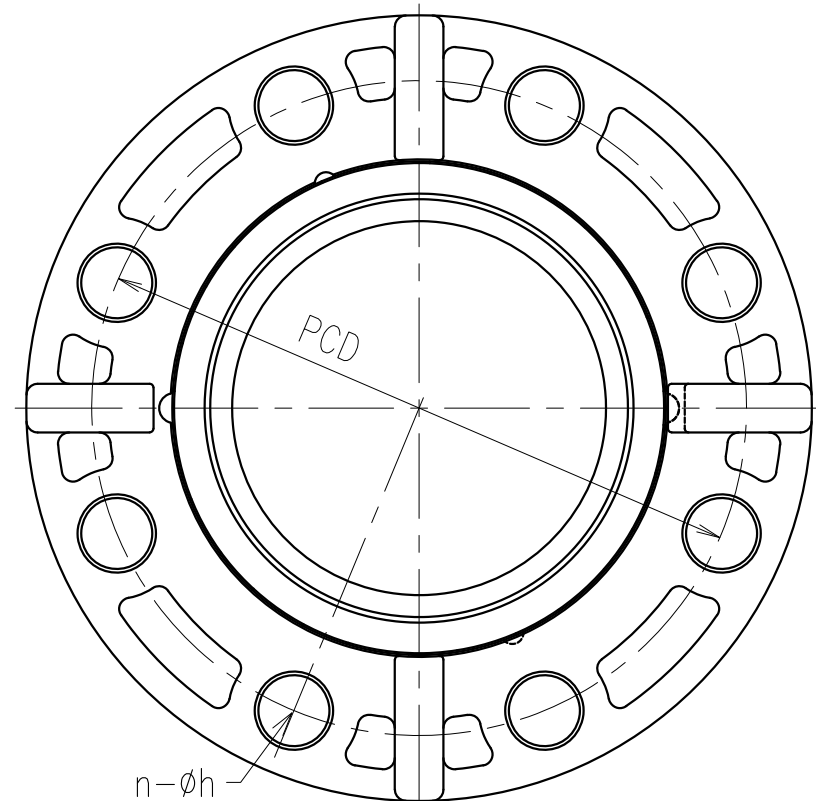
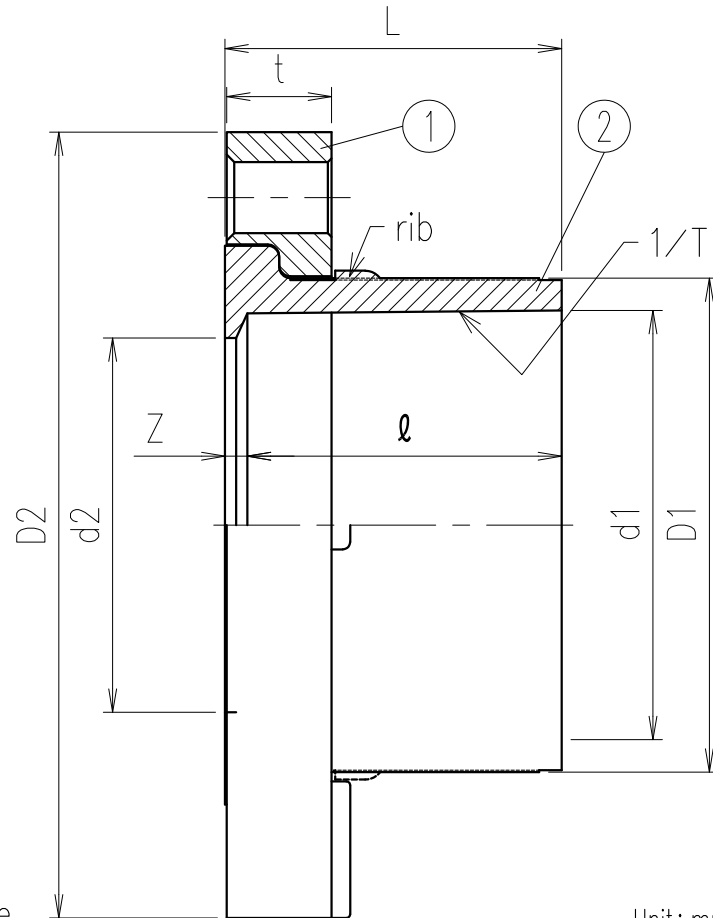


| No. | Part Name | Q'TY | Material/Color |
|-----|--------------|------|-----------------|
| 1 | Loose Flange | 1 | GF-PP |
| 2 | TS Adapter | 1 | □PVC □HI-PVC |



Dimension Table

Unit: mm

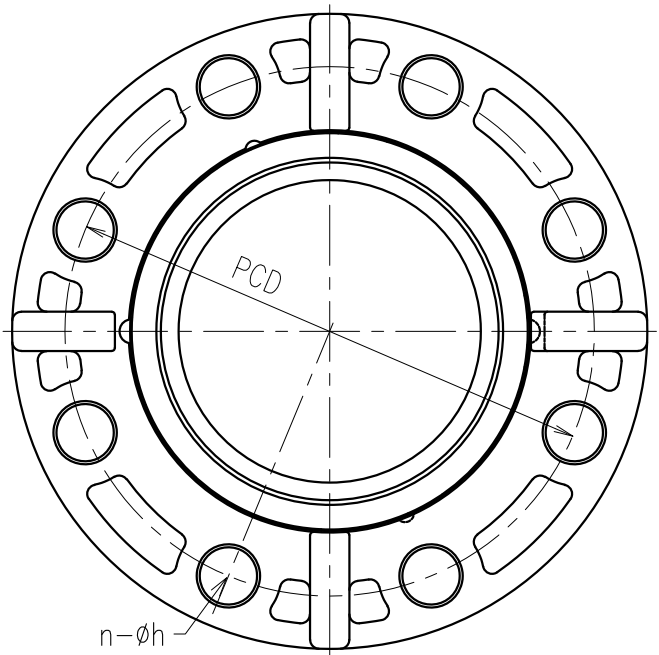
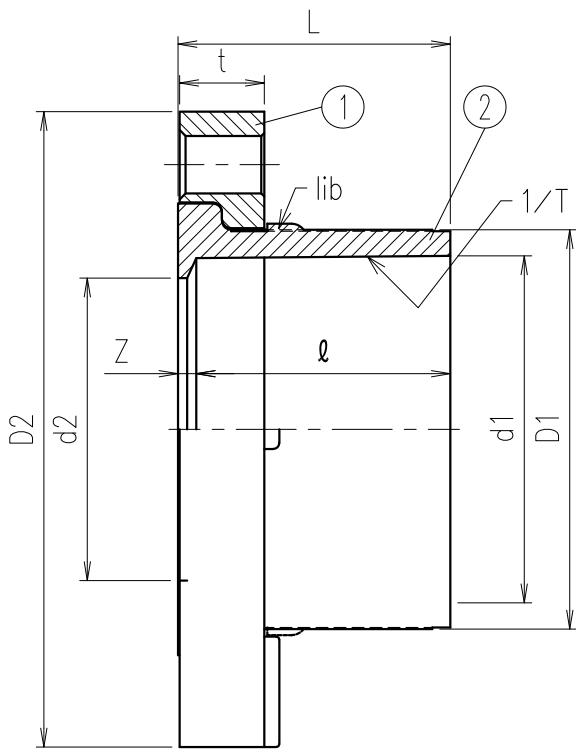
| Size | A(B) | TS Adapter | | | Flange | | | | | | L | Z | Weight kg/unit |
|-------------|-------|------------|-----|-----|--------|-----|-----|----|-------|------|----|------|-------------------|
| | | d1 | 1/T | l | D1 | D2 | PCD | d2 | t | n-øh | | | |
| □ 15(1/2) | 22.4 | 1/34 | 30 | 31 | 95 | 70 | 17 | 21 | 4-15 | 36 | 6 | 0.13 | |
| □ 20(3/4) | 26.5 | 1/34 | 35 | 35 | 100 | 75 | 21 | 21 | 4-15 | 41 | 6 | 0.15 | |
| □ 25(1) | 32.6 | 1/34 | 40 | 41 | 125 | 90 | 25 | 21 | 4-19 | 46 | 6 | 0.24 | |
| □ 30(1·1/4) | 38.6 | 1/34 | 44 | 48 | 135 | 100 | 31 | 23 | 4-19 | 51 | 7 | 0.31 | |
| □ 40(1·1/2) | 48.7 | 1/37 | 55 | 61 | 140 | 105 | 41 | 23 | 4-19 | 62 | 7 | 0.36 | |
| □ 50(2) | 60.8 | 1/37 | 63 | 73 | 155 | 120 | 52 | 25 | 4-19 | 70 | 7 | 0.45 | |
| □ 65(2 1/2) | 76.6 | 1/48 | 61 | 88 | 175 | 140 | 67 | 25 | 4-19 | 70 | 9 | 0.56 | |
| □ 80(3) | 89.6 | 1/49 | 64 | 102 | 185 | 150 | 78 | 27 | 8-19 | 72 | 8 | 0.64 | |
| □ 100(4) | 114.7 | 1/56 | 84 | 132 | 210 | 175 | 100 | 28 | 8-19 | 90 | 6 | 0.93 | |
| □ 125(5) | 140.9 | 1/58 | 104 | 158 | 250 | 210 | 125 | 28 | 8-23 | 114 | 10 | 1.35 | |
| □ 150(6) | 166.0 | 1/63 | 132 | 186 | 280 | 240 | 146 | 32 | 8-23 | 142 | 10 | 2.06 | |
| □ 200(8) | 217.5 | 1/50 | 155 | 238 | 330 | 290 | 196 | 36 | 12-23 | 166 | 11 | 3.02 | |

- Note) 1. Socket dimension is in accordance with the following standard; JIS K6743.
 2. Flange dimension is in accordance with the following standard; JIS B2220.
 3. lib 15-40A: 2pieces. 50-200A: 1piece

| | |
|-------------|--------------|
| Client name | Date |
| | Approved by: |

ESLON
 TS Loose Flange JIS10K 15(1/2") ~ 200(8")
 Drawing No. | TSF152HFE
SEKISUI SEKISUI CHEMICAL CO.,LTD.

Eslon TS Fittings
TS Loose Flange



Dimension Table

Unit: mm

| Size | A(B) | TS Adapter | | | | Flange | | | | | L | Z |
|-------------|------|------------|------|-----|-----|--------|-----|-----|----|-------|-----|----|
| | | d1 | 1/T | ℓ | D1 | D2 | PCD | d2 | t | n-øh | | |
| □ 15(1/2) | | 22.4 | 1/34 | 30 | 31 | 95 | 70 | 17 | 21 | 4-15 | 36 | 6 |
| □ 20(3/4) | | 26.5 | 1/34 | 35 | 35 | 100 | 75 | 21 | 21 | 4-15 | 41 | 6 |
| □ 25(1) | | 32.6 | 1/34 | 40 | 41 | 125 | 90 | 25 | 21 | 4-19 | 46 | 6 |
| □ 30(1·1/4) | | 38.6 | 1/34 | 44 | 48 | 135 | 100 | 31 | 23 | 4-19 | 51 | 7 |
| □ 40(1·1/2) | | 48.7 | 1/37 | 55 | 61 | 140 | 105 | 41 | 23 | 4-19 | 62 | 7 |
| □ 50(2) | | 60.8 | 1/37 | 63 | 73 | 155 | 120 | 52 | 25 | 4-19 | 70 | 7 |
| □ 65(2 1/2) | | 76.6 | 1/48 | 61 | 88 | 175 | 140 | 67 | 25 | 4-19 | 70 | 9 |
| □ 80(3) | | 89.6 | 1/49 | 64 | 102 | 185 | 150 | 78 | 27 | 8-19 | 72 | 8 |
| □ 100(4) | | 114.7 | 1/56 | 84 | 132 | 210 | 175 | 100 | 28 | 8-19 | 90 | 6 |
| □ 125(5) | | 140.9 | 1/58 | 104 | 158 | 250 | 210 | 125 | 28 | 8-23 | 114 | 10 |
| □ 150(6) | | 166.0 | 1/63 | 132 | 186 | 280 | 240 | 146 | 32 | 8-23 | 142 | 10 |
| □ 200(8) | | 217.5 | 1/50 | 155 | 238 | 330 | 290 | 196 | 36 | 12-23 | 166 | 11 |
| □ *200(8) | | 217.5 | 1/50 | 130 | 238 | 330 | 290 | 196 | 36 | 12-23 | 141 | 11 |

- Remarks)
1. The dimensions of TS Ends are in conformity with JIS K6743
 2. Flange dimensions are according to JIS B 2220:2004.
 3. * Butt spigot flange.
 4. lib 15-40A: 2pieces. 50-200A: 1piece

| | | |
|---|------------|--------------|
| Eslon TS Fittings TS Loose Flange | | DWG No. |
| | | CL152HFFE |
| SEKISUI SEKISUI CHEMICAL CO.,LTD. | Date | Approved by: |
| | 2019.07.22 | |