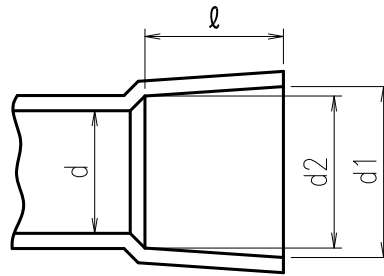
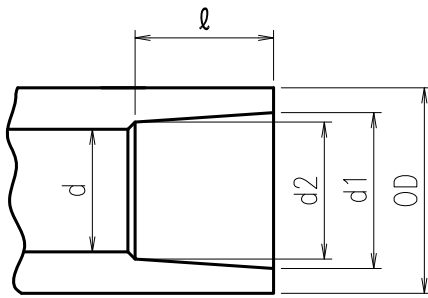


Eslon Schedule80 Fittings
Socket Dimensions



unit: mm

	Size		Outside Diameter OD	Inside Diameter d	Entrance Diameter d1	Bottom Diameter d2	Length ℓ (min)	
	inch	mm						
<input type="checkbox"/>	1/2"	15	30	18	21.54±0.10	21.23±0.10	22.22	
<input type="checkbox"/>	3/4"	20	35	24	26.87±0.10	26.57±0.10	25.40	
<input type="checkbox"/>	1"	25	43	30	33.65±0.13	33.27±0.13	28.58	
<input type="checkbox"/>	1.1/4"	32	53	37	42.42±0.13	42.04±0.13	31.75	
<input type="checkbox"/>	1.1/2"	40	60	45	48.56±0.15	48.11±0.15	34.93	
<input type="checkbox"/>	2"	50	73	57	60.63±0.15	60.17±0.15	38.10	
<input type="checkbox"/>	2.1/2"	65	88	69	73.38±0.18	72.85±0.18	44.45	
<input type="checkbox"/>	3"	80	(PVC)	107	85	89.31±0.20	88.70±0.20	47.63
			(CPVC)			89.28±0.18	88.67±0.18	
<input type="checkbox"/>	4"	100	(PVC)	133	109	114.76±0.23	114.10±0.23	57.15
			(CPVC)			114.73±0.20	114.04±0.20	
<input type="checkbox"/>	5"	125	162	132	141.81±0.25	141.00±0.25	66.68	
<input type="checkbox"/>	6"	150	192	156	168.83±0.28	168.00±0.28	76.20	
<input type="checkbox"/>	8"	200	247	202	219.84±0.38	218.70±0.38	101.60	
<input type="checkbox"/>	10"	250	307	265	273.81±0.38	272.67±0.38	127.00	
<input type="checkbox"/>	12"	300	363	315	324.61±0.38	323.47±0.38	152.40	
<input type="checkbox"/>	14"	350	394	346	356.49±0.38	355.22±0.38	228.60	
<input type="checkbox"/>	16"	400	451	396	407.54±0.38	405.89±0.38	254.00	
<input type="checkbox"/>	18"	450	—	407	458.60±0.51	456.69±0.51	304.80	
<input type="checkbox"/>	20"	500	—	453	509.65±0.64	507.49±0.64	304.80	
<input type="checkbox"/>	24"	600	—	544	611.51±0.76	608.84±0.76	304.80	

This production meets:

(PVC) 1/2–12": ASTM D-2467, 14–24": SEKISUI Standard

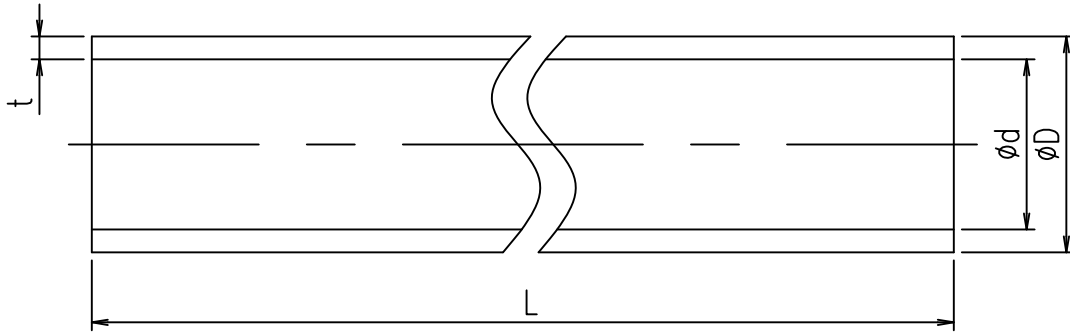
(CPVC) 1/2–12": ASTM F-439, 14–24": SEKISUI Standard

Material

- PVC
- CPVC

Eslon Schedule80 Fittings Socket Dimensions		DWG No.
		² S8SD156H
SEKISUI SEKISUI CHEMICAL CO.,LTD.	Date	Approved by:
	2011.10.11	

Eslon Schedule80
Pipe



Dimension Table

unit: mm

	Size		D	t	d	L	Maximum permissible pressure (MPa)	Weight kg/m		Weight kg/PC	
	inch	mm						PVC	CPVC	PVC	CPVC
<input type="checkbox"/>	1/2"	15	21.34±0.10	3.73+0.51	13.4	6000 ±20	5.84	0.311	0.337	1.866	2.022
<input type="checkbox"/>	3/4"	20	26.67±0.10	3.91+0.51	18.3		4.74	0.421	0.457	2.526	2.742
<input type="checkbox"/>	1"	25	33.40±0.13	4.55+0.53	23.8		4.35	0.618	0.670	3.708	4.020
<input type="checkbox"/>	1-1/4"	32	42.16±0.13	4.85+0.58	31.9		3.59	0.855	0.927	5.130	5.562
<input type="checkbox"/>	1-1/2"	40	48.26±0.15	5.08+0.61	37.5		3.24	1.037	1.124	6.222	6.744
<input type="checkbox"/>	2"	50	60.32±0.15	5.54+0.66	48.6		2.79	1.435	1.556	8.610	9.336
<input type="checkbox"/>	2-1/2"	65	73.02±0.18	7.01+0.84	58.2		2.93	2.190	2.373	13.140	14.238
<input type="checkbox"/>	3"	80	(PVC) 88.90±0.20	7.62+0.91	72.8		2.59	2.932	—	17.592	—
		(CPVC)	88.90±0.18					—	3.178	—	19.068
<input type="checkbox"/>	4"	100	(PVC) 114.30±0.23	8.56+1.02	96.2		2.23	4.288	—	25.728	—
		(CPVC)	114.30±0.20					—	4.648	—	27.888
<input type="checkbox"/>	5"	125	141.30±0.25	9.53+1.14	121.1		1.99	5.950	6.450	35.700	38.700
<input type="checkbox"/>	6"	150	168.28±0.28	10.97+1.32	145.0		1.92	8.186	8.873	49.116	53.238
<input type="checkbox"/>	8"	200	219.08±0.38	12.70+1.52	192.2		1.70	12.433	13.477	74.598	80.862
<input type="checkbox"/>	10"	250	273.05±0.38	15.06+1.80	241.1		1.61	18.436	19.983	110.616	119.898
<input type="checkbox"/>	12"	300	323.85±0.38	17.45+2.08	286.9		1.57	25.365	27.493	152.190	164.958
<input type="checkbox"/>	14"	350	355.60±0.38	19.05+2.29	315.2	1.52	30.430	32.983	182.580	197.898	
<input type="checkbox"/>	16"	400	406.40±0.48	21.41+2.57	361.0	1.52	39.125	42.408	234.750	254.448	

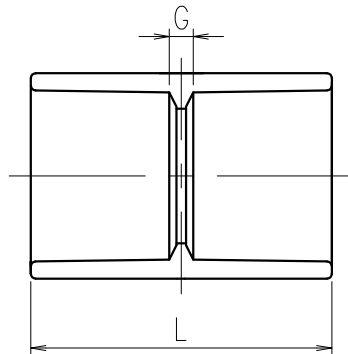
This production meets: (PVC) ASTM D-1785. (CPVC) ASTM F-441

Material

- PVC
- CPVC

Eslon Schedule80 Pipe		DWG No.
		³ S8PI156H
SEKISUI SEKISUI CHEMICAL CO.,LTD.	Date	Approved by:
	2011.10.11	

Esilon Schedule80 Fittings
Coupling SxS



Unit: mm

	Size		L	G	Weight kgs/pc		Package pcs/carton
	inch	mm			PVC	CPVC	
<input type="checkbox"/>	1/2"	15	50	5.6	0.027	0.030	300
<input type="checkbox"/>	3/4"	20	56	5.2	0.031	0.034	180
<input type="checkbox"/>	1"	25	63	5.8	0.060	0.065	200
<input type="checkbox"/>	1-1/4"	32	69	5.5	0.080	0.087	120
<input type="checkbox"/>	1-1/2"	40	75	5.1	0.110	0.120	10
<input type="checkbox"/>	2"	50	85	8.8	0.160	0.175	10
<input type="checkbox"/>	2-1/2"	65	96	7.1	0.255	0.278	5
<input type="checkbox"/>	3"	80	102	6.7	0.384	0.419	5
<input type="checkbox"/>	4"	100	123	8.7	0.553	0.604	5
<input type="checkbox"/>	5"	125	144	8.0	0.985	1.067	4
<input type="checkbox"/>	6"	150	165	10.0	1.512	1.639	4
<input type="checkbox"/>	8"	200	216	10.0	3.075	3.333	4
<input type="checkbox"/>	10"	250	295	15.0	6.170	6.688	2
<input type="checkbox"/>	12"	300	330	20.0	9.195	9.967	2
<input type="checkbox"/>	14"	350	480	19.4	14.595	16.240	1
<input type="checkbox"/>	16"	400	538	28.0	21.590	24.190	1

This production meets:

(PVC) 1/2–12": ASTM D–2467, 14–16": SEKISUI Standard

(CPVC) 1/2–12": ASTM F–439, 14–16": SEKISUI Standard

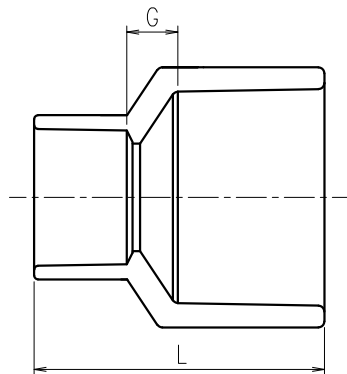
Material

- PVC
- CPVC

Esilon Schedule80 Fittings Coupling SxS		DWG No.
		⁵ S8CP154H
SEKISUI CHEMICAL CO.,LTD.	Date	Approved by:
	2011.10.11	

Eslon Schedule80 Fittings
Reducing Coupling

Unit: mm



	Size				L	G	Weight kgs/pc		Package pcs/carton
	inch		mm				PVC	CPVC	
<input type="checkbox"/>	3/4"	1/2"	20	15	53.5	5.9	0.034	0.035	400
<input type="checkbox"/>	1"	1/2"	25	15	60.0	9.2	0.049	0.053	200
<input type="checkbox"/>	1"	3/4"	25	20	60.0	6.0	0.045	0.052	200
<input type="checkbox"/>	1.1/4"	1/2"	32	15	68.0	14.0	0.070	0.076	25
<input type="checkbox"/>	1.1/4"	3/4"	32	20	68.0	10.9	0.068	0.074	25
<input type="checkbox"/>	1.1/4"	1"	32	25	68.0	7.7	0.070	0.076	25
<input type="checkbox"/>	1.1/2"	1/2"	40	15	75.0	17.9	0.100	0.108	25
<input type="checkbox"/>	1.1/2"	3/4"	40	20	75.0	14.7	0.080	0.110	25
<input type="checkbox"/>	1.1/2"	1"	40	25	75.0	11.5	0.089	0.115	25
<input type="checkbox"/>	1.1/2"	1.1/4"	40	32	75.0	8.3	0.099	0.108	25
<input type="checkbox"/>	2"	1/2"	50	15	83.0	22.7	0.141	0.153	25
<input type="checkbox"/>	2"	3/4"	50	20	83.0	19.5	0.129	0.140	80
<input type="checkbox"/>	2"	1"	50	25	83.0	16.3	0.124	0.135	16
<input type="checkbox"/>	2"	1.1/4"	50	32	83.0	13.2	0.134	0.146	10
<input type="checkbox"/>	2"	1.1/2"	50	40	83.0	10.0	0.142	0.180	40
<input type="checkbox"/>	2.1/2"	1.1/2"	65	40	93.0	13.6	0.205	0.224	10
<input type="checkbox"/>	2.1/2"	2"	65	50	93.0	10.5	0.222	0.242	10
<input type="checkbox"/>	3"	1"	80	25	106.0	29.8	0.317	0.346	8
<input type="checkbox"/>	3"	1.1/2"	80	40	106.0	23.4	0.313	0.342	8
<input type="checkbox"/>	3"	2"	80	50	106.0	20.3	0.335	0.360	8
<input type="checkbox"/>	3"	2.1/2"	80	65	106.0	13.9	0.361	0.394	5
<input type="checkbox"/>	4"	2"	100	50	125.0	29.8	0.560	0.607	4
<input type="checkbox"/>	4"	2.1/2"	100	65	125.0	23.4	0.535	0.584	4
<input type="checkbox"/>	4"	3"	100	80	125.0	20.2	0.597	0.652	4
<input type="checkbox"/>	5"	4"	125	100	144.0	18.9	0.860	1.014	5
<input type="checkbox"/>	6"	3"	150	80	168.0	41.9	1.508	1.646	4
<input type="checkbox"/>	6"	4"	150	100	168.0	31.8	1.413	1.542	4
<input type="checkbox"/>	6"	5"	150	125	168.0	21.2	1.494	1.631	4
<input type="checkbox"/>	8"	4"	200	100	218.0	57.9	3.045	3.301	2
<input type="checkbox"/>	8"	6"	200	150	220.0	39.0	2.956	3.227	2
<input type="checkbox"/>	10"	8"	250	200	287.0	44.0	5.622	6.137	1
<input type="checkbox"/>	12"	8"	300	200	331.7	76.7	8.218	8.971	1
<input type="checkbox"/>	12"	10"	300	250	328.0	26.0	8.755	9.589	1
<input type="checkbox"/>	14"	12"	350	300	425.1	40.0	13.060	13.704	1
<input type="checkbox"/>	16"	12"	400	300	493.0	88.0	18.400	20.520	1
<input type="checkbox"/>	16"	14"	400	350	543.2	62.6	25.800	27.967	1

This production meets:

(PVC) 1/2–12": ASTM D-2467, 14–16": SEKISUI Standard

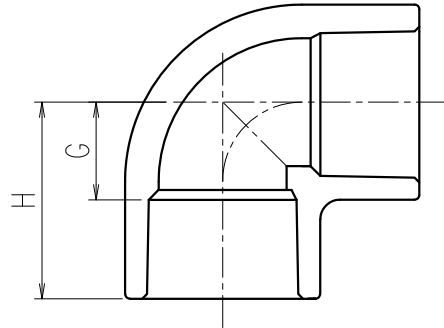
(CPVC) 1/2–12": ASTM F-439, 14–16": SEKISUI Standard

Material

- PVC
- CPVC

Eslon Schedule80 Fittings Reducing Coupling		DWG No.
		⁸ S8RC154H
SEKISUI CHEMICAL CO.,LTD.	Date	Approved by:
	2011.10.11	

Eslon Schedule80 Fittings
90°Elbow SxS



unit: mm

	SIZE		H	G	Weight kgs/pc		Package pcs/carton
	inch	mm			PVC	CPVC	
<input type="checkbox"/>	1/2"	15	37.5	15.3	0.037	0.040	240
<input type="checkbox"/>	3/4"	20	42.5	17.1	0.045	0.049	160
<input type="checkbox"/>	1"	25	50.0	21.4	0.080	0.100	80
<input type="checkbox"/>	1-1/4"	32	58.0	26.3	0.140	0.153	10
<input type="checkbox"/>	1-1/2"	40	65.0	30.1	0.185	0.202	10
<input type="checkbox"/>	2"	50	74.0	35.9	0.270	0.295	10
<input type="checkbox"/>	2-1/2"	65	89.0	44.6	0.464	0.506	5
<input type="checkbox"/>	3"	80	101.0	53.4	0.771	0.842	5
<input type="checkbox"/>	4"	100	121.0	63.9	1.240	1.354	5
<input type="checkbox"/>	5"	125	150.0	77.5	2.185	2.385	4
<input type="checkbox"/>	6"	150	173.0	93.2	3.530	3.853	4
<input type="checkbox"/>	8"	200	225.0	120.1	7.135	7.788	2
<input type="checkbox"/>	10"	250	290.0	150.0	12.585	13.642	1
<input type="checkbox"/>	12"	300	327.1	172.1	18.835	20.417	1
<input type="checkbox"/>	14"	350	426.6	197.0	26.100	28.292	1
<input type="checkbox"/>	16"	400	492.0	235.4	40.890	44.020	1

This production meets:

(PVC) 1/2–12": ASTM D-2467, 14–16": SEKISUI Standard

(CPVC) 1/2–12": ASTM F-439, 14–16": SEKISUI Standard

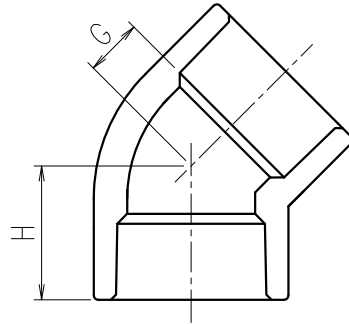
Material

PVC

CPVC

Eslon Schedule80 Fittings 90°Elbow SxS		DWG No.
		⁹ S8EL154H
SEKISUI SEKISUI CHEMICAL CO.,LTD.	Date	Approved by:
	2011.10.11	

Eslon Schedule80 Fittings
45°Elbow SxS



unit: mm

	SIZE		H	G	Weight kgs/pc		Package pcs/carton
	inch	mm			PVC	CPVC	
<input type="checkbox"/>	1/2"	15	29.0	6.8	0.030	0.033	240
<input type="checkbox"/>	3/4"	20	34.0	8.6	0.040	0.044	240
<input type="checkbox"/>	1"	25	37.0	8.4	0.064	0.070	120
<input type="checkbox"/>	1-1/4"	32	43.0	11.3	0.102	0.111	80
<input type="checkbox"/>	1-1/2"	40	47.0	12.1	0.130	0.142	10
<input type="checkbox"/>	2"	50	55.0	16.9	0.221	0.235	10
<input type="checkbox"/>	2-1/2"	65	64.0	19.6	0.359	0.392	5
<input type="checkbox"/>	3"	80	72.0	24.4	0.580	0.633	5
<input type="checkbox"/>	4"	100	86.0	28.9	0.915	0.999	5
<input type="checkbox"/>	5"	125	106.0	36.0	1.595	1.741	4
<input type="checkbox"/>	6"	150	119.7	40.7	2.580	2.816	4
<input type="checkbox"/>	8"	200	155.2	50.4	4.925	5.376	2
<input type="checkbox"/>	10"	250	206.9	59.9	9.375	9.960	1
<input type="checkbox"/>	12"	300	235.4	81.1	15.330	16.618	1
<input type="checkbox"/>	14"	350	328.9	100.9	21.100	23.180	1
<input type="checkbox"/>	16"	400	360.3	106.6	28.732	32.540	1

This production meets:

(PVC) 1/2-12": ASTM D-2467, 14-16": SEKISUI Standard

(CPVC) 1/2-12": ASTM F-439, 14-16": SEKISUI Standard

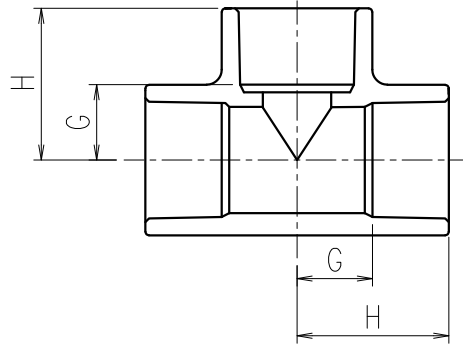
Material

PVC

CPVC

Eslon Schedule80 Fittings 45°Elbow SxS		DWG No.
		¹³ S84L154H
SEKISUI SEKISUI CHEMICAL CO.,LTD.	Date	Approved by:
	2011.10.11	

Eslon Schedule80 Fittings
Tee SxSxS



Unit: mm

	Size		H	G	Weight kgs/pc		Package pcs/ carton
	inch	mm			PVC	CPVC	
<input type="checkbox"/>	1/2"	15	37.5	15.3	0.050	0.055	200
<input type="checkbox"/>	3/4"	20	42.5	17.1	0.065	0.071	120
<input type="checkbox"/>	1"	25	50.0	21.4	0.105	0.115	15
<input type="checkbox"/>	1-1/4"	32	58.0	26.3	0.184	0.201	10
<input type="checkbox"/>	1-1/2"	40	65.0	30.1	0.235	0.257	10
<input type="checkbox"/>	2"	50	74.0	35.9	0.355	0.388	10
<input type="checkbox"/>	2-1/2"	65	89.0	44.6	0.619	0.676	10
<input type="checkbox"/>	3"	80	101.0	53.4	1.010	1.102	5
<input type="checkbox"/>	4"	100	121.0	63.9	1.581	1.726	5
<input type="checkbox"/>	5"	125	147.5	79.5	2.684	2.930	4
<input type="checkbox"/>	6"	150	173.0	94.6	4.325	4.721	4
<input type="checkbox"/>	8"	200	225.0	122.0	8.980	9.802	2
<input type="checkbox"/>	10"	250	290.0	150.0	16.320	16.646	1
<input type="checkbox"/>	12"	300	330.0	181.8	25.245	25.830	1
<input type="checkbox"/>	14"	350	426.6	197.8	35.885	38.860	1
<input type="checkbox"/>	16"	400	492.0	236.2	54.570	58.690	1

This production meets:

(PVC) 1/2-12": ASTM D-2467, 14-16": SEKISUI Standard

(CPVC) 1/2-12": ASTM F-439, 14-16": SEKISUI Standard

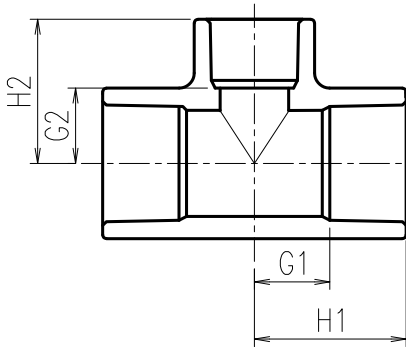
Material

- PVC
- CPVC

Eslon Schedule80 Fittings Tee SxSxS		DWG No.
		¹⁷ S8TE154H
SEKISUI SEKISUI CHEMICAL CO.,LTD.	Date	Approved by:
	2011.10.11	

Esilon Schedule80 Fittings
Reducing Tee

Unit: mm



	Size				H1	H2	G1	G2	Weight kgs/pc		Package pcs/carton
	inch		mm						PVC	CPVC	
<input type="checkbox"/>	3/4"	1/2"	20	15	42.5	40.0	17.1	17.5	0.060	0.067	120
<input type="checkbox"/>	1"	1/2"	25	15	50.0	44.0	21.4	21.5	0.096	0.107	15
<input type="checkbox"/>	1"	3/4"	25	20		46.0			0.098	0.109	15
<input type="checkbox"/>	1-1/4"	1/2"	32	15	58.0	48.0	26.3	26.5	0.152	0.170	10
<input type="checkbox"/>	1-1/4"	3/4"	32	20		52.0			0.154	0.172	10
<input type="checkbox"/>	1-1/4"	1"	32	25		54.0			0.159	0.178	15
<input type="checkbox"/>	1-1/2"	1/2"	40	15	65.0	52.0	30.1	30.0	0.200	0.223	10
<input type="checkbox"/>	1-1/2"	3/4"	40	20		55.0			0.210	0.226	15
<input type="checkbox"/>	1-1/2"	1"	40	25		58.0			0.235	0.255	10
<input type="checkbox"/>	1-1/2"	1-1/4"	40	32		62.0			0.246	0.267	10
<input type="checkbox"/>	2"	1/2"	50	15	74.0	58.0	35.9	36.5	0.281	0.314	10
<input type="checkbox"/>	2"	3/4"	50	20		61.0			0.300	0.316	10
<input type="checkbox"/>	2"	1"	50	25		66.0			0.330	0.358	10
<input type="checkbox"/>	2"	1-1/4"	50	32		68.0			0.340	0.369	10
<input type="checkbox"/>	2"	1-1/2"	50	40		71.0			0.350	0.379	10
<input type="checkbox"/>	2-1/2"	1-1/2"	65	40	89.0	77.0	44.6	44.0	0.534	0.596	5
<input type="checkbox"/>	2-1/2"	2"	65	50		82.0			0.552	0.595	5
<input type="checkbox"/>	3"	1-1/2"	80	40	101.0	85.0	53.4	53.5	0.860	0.909	5
<input type="checkbox"/>	3"	2"	80	50		90.0			0.880	0.935	5
<input type="checkbox"/>	3"	2-1/2"	80	65		97.0			0.925	0.970	5
<input type="checkbox"/>	4"	2"	100	50	121.0	101.0	63.9	66.5	1.380	1.483	5
<input type="checkbox"/>	4"	2-1/2"	100	65		108.0			1.410	1.481	5
<input type="checkbox"/>	4"	3"	100	80		115.5			1.490	1.541	5
<input type="checkbox"/>	5"	4"	125	100	147.5	136.0	79.5	81.0	2.605	2.790	1
<input type="checkbox"/>	6"	3"	150	80	173.0	143.0	94.8	96.0	3.980	4.240	4
<input type="checkbox"/>	6"	4"	150	100		152.0	94.8		4.015	4.320	4
<input type="checkbox"/>	6"	5"	150	125		165.0	94.6		4.180	4.510	1
<input type="checkbox"/>	8"	3"	200	80	225.0	170.0	122.0	123.5	8.290	8.420	4
<input type="checkbox"/>	8"	4"	200	100		180.0			8.190	8.550	2
<input type="checkbox"/>	8"	6"	200	150		202.6			8.545	8.915	2
<input type="checkbox"/>	10"	4"	250	100	290.0	210.0	150.0	153.5	13.435	14.285	1
<input type="checkbox"/>	10"	8"	250	200		261.0			14.645	15.440	1
<input type="checkbox"/>	12"	4"	300	100	330.0	240.5	175.0	181.5	20.965	21.940	1
<input type="checkbox"/>	12"	8"	300	200		286.0			21.600	22.550	1
<input type="checkbox"/>	12"	10"	300	250		331.2			23.120	24.475	1
<input type="checkbox"/>	14"	12"	350	300	426.6	359.5	198.0	197.0	32.950	38.530	1
<input type="checkbox"/>	16"	12"	400	300	492.0	418.4	238.0	225.5	49.000	53.100	1
<input type="checkbox"/>	16"	14"	400	350		492.0			50.835	56.110	1

This production meets: (PVC) 1/2-12": ASTM D-2467, 14-16": SEKISUI Standard
(CPVC) 1/2-12": ASTM F-439, 14-16": SEKISUI Standard

Material

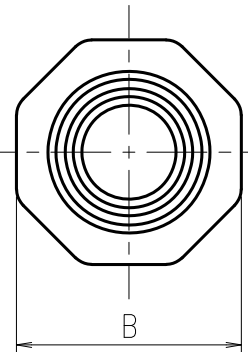
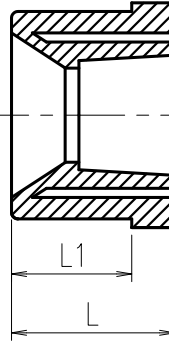
- PVC
- CPVC

Esilon Schedule80 Fittings Reducing Tee		DWG No.
		21 S8RT154H
SEKISUI CHEMICAL CO.,LTD.	Date	Approved by:
	2011.10.05	

Esilon Schedule80 Fittings
Reducing Bushing SxS

unit : mm

	Size				L	L1	B	Weight kgs/pc		Package pcs/carton
	inch		mm					PVC	CPVC	
<input type="checkbox"/>	3/4"	1/2"	20	15	32.5	25.4	30.0	0.014	0.023	600
<input type="checkbox"/>	1"	1/2"	25	15	35.5	28.6	38.0	0.027	0.030	600
<input type="checkbox"/>	1"	3/4"	25	20				0.019	0.021	400
<input type="checkbox"/>	1-1/4"	1/2"	32	15	40.5	31.8	46.5	0.057	0.057	150
<input type="checkbox"/>	1-1/4"	3/4"	32	20				0.048	0.054	300
<input type="checkbox"/>	1-1/4"	1"	32	25				0.032	0.040	200
<input type="checkbox"/>	1-1/2"	1/2"	40	15	44.0	34.9	53.0	0.067	0.075	200
<input type="checkbox"/>	1-1/2"	3/4"	40	20				0.068	0.076	200
<input type="checkbox"/>	1-1/2"	1"	40	25				0.058	0.065	200
<input type="checkbox"/>	1-1/2"	1-1/4"	40	32				0.034	0.038	200
<input type="checkbox"/>	2"	1/2"	50	15	50.0	38.1	66.0	0.114	0.127	120
<input type="checkbox"/>	2"	3/4"	50	20				0.114	0.127	120
<input type="checkbox"/>	2"	1"	50	25				0.116	0.130	120
<input type="checkbox"/>	2"	1-1/4"	50	32				0.103	0.115	120
<input type="checkbox"/>	2"	1-1/2"	50	40				0.085	0.095	120
<input type="checkbox"/>	2-1/2"	1-1/2"	65	40	55.0	44.5	78.0	0.160	0.179	10
<input type="checkbox"/>	2-1/2"	2"	65	50				0.118	0.132	15
<input type="checkbox"/>	3"	1"	80	25	57.5	47.6	94.0	0.244	0.273	10
<input type="checkbox"/>	3"	1-1/2"	80	40				0.258	0.288	10
<input type="checkbox"/>	3"	2"	80	50				0.245	0.274	10
<input type="checkbox"/>	3"	2-1/2"	80	65				0.200	0.245	15
<input type="checkbox"/>	4"	1"	100	25	70.0	57.2	120.0	0.540	0.603	6
<input type="checkbox"/>	4"	1-1/4"	100	32				0.541	0.575	6
<input type="checkbox"/>	4"	1-1/2"	100	40				0.515	0.542	6
<input type="checkbox"/>	4"	2"	100	50				0.528	0.573	6
<input type="checkbox"/>	4"	2-1/2"	100	65				0.492	0.520	6
<input type="checkbox"/>	4"	3"	100	80	0.427	0.463	6			
<input type="checkbox"/>	5"	4"	125	100	82.0	66.7	150.0	0.635	0.731	4
<input type="checkbox"/>	6"	3"	150	80	92.0	78.3	175.0	1.241	1.254	5
<input type="checkbox"/>	6"	4"	150	100				1.250	1.396	5
<input type="checkbox"/>	6"	5"	150	125				0.945	0.953	5
<input type="checkbox"/>	8"	4"	200	100	120.0	101.6	230.0	2.700	2.892	4
<input type="checkbox"/>	8"	6"	200	150				2.458	2.746	4
<input type="checkbox"/>	10"	6"	250	150	158.0	137.8	285.0	4.915	5.296	4
<input type="checkbox"/>	10"	8"	250	200				4.648	5.113	4
<input type="checkbox"/>	12"	6"	300	150	174.0	154.0	340.0	7.271	7.880	1
<input type="checkbox"/>	12"	8"	300	200				7.585	7.974	2
<input type="checkbox"/>	12"	10"	300	250				6.624	0.718	2



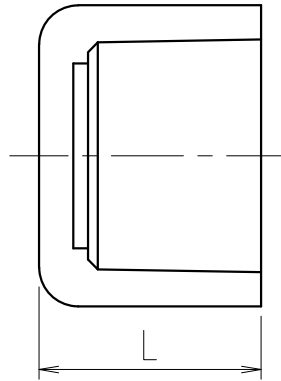
This production meets: (PVC) ASTM D-2467 (CPVC) ASTM F-439

Material

- PVC
- CPVC

Esilon Schedule80 Fittings Reducing Bushing SxS	Date	DWG No.
	2011.10.05	S8RB153H
SEKISUI CHEMICAL CO.,LTD.	Approved by:	

Eslon Schedule80 Fittings
Cap With Socket



Unit: mm

	Size		L	Weight kg/pc		Package pcs/carton
	inch	mm		PVC	CPVC	
<input type="checkbox"/>	1/2"	15	30.0	0.016	0.018	300
<input type="checkbox"/>	3/4"	20	36.0	0.027	0.029	300
<input type="checkbox"/>	1"	25	41.0	0.043	0.047	180
<input type="checkbox"/>	1.1/4"	32	47.0	0.058	0.060	120
<input type="checkbox"/>	1.1/2"	40	52.0	0.105	0.115	120
<input type="checkbox"/>	2"	50	59.0	0.164	0.178	80
<input type="checkbox"/>	2.1/2"	65	67.0	0.245	0.266	40
<input type="checkbox"/>	3"	80	77.0	0.435	0.460	5
<input type="checkbox"/>	4"	100	92.0	0.635	0.687	5
<input type="checkbox"/>	5"	125	107.0	0.915	0.980	4
<input type="checkbox"/>	6"	150	124.0	1.196	1.296	4
<input type="checkbox"/>	8"	200	165.0	2.832	3.070	3
<input type="checkbox"/>	10"	250	191.0	5.133	5.310	1
<input type="checkbox"/>	12"	300	215.0	7.918	8.155	1

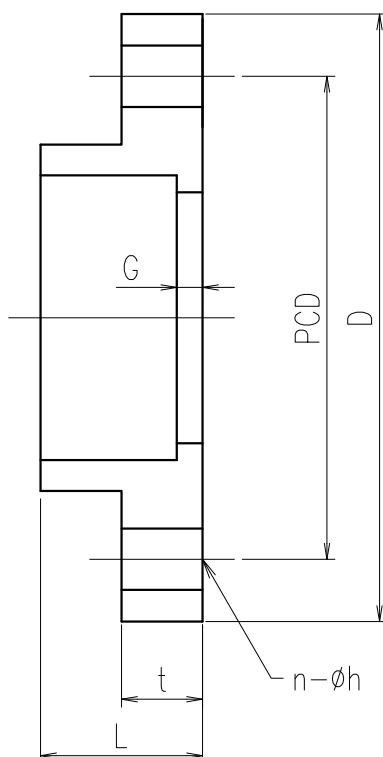
This production meets: (PVC) ASTM D-2467
(CPVC) ASTM F-439

Material

- PVC
- CPVC

Eslon Schedule80 Fittings Cap With Socket		DWG No.
		²⁸ S8SC153H
SEKISUI SEKISUI CHEMICAL CO.,LTD.	Date	Approved by:
	2011.10.11	

Eslon Schedule80 Fittings
One Piece Flange Flange(ANSI) –Socket (ASTM)



Unit: mm

	Size		L	t (Min.)	G	D	PCD	n	h	Weight kgs/pc		Package pcs/carton
	inch	mm								PVC	CPVC	
<input type="checkbox"/>	1/2"	15	25.0	11.5	2.8	89.0	60.5	4	15.7	0.100	0.105	25
<input type="checkbox"/>	3/4"	20	29.5	13.0	4.1	98.8	70.0	4	15.7	0.140	0.152	25
<input type="checkbox"/>	1"	25	32.0	14.5	3.4	108.3	79.5	4	15.7	0.191	0.207	20
<input type="checkbox"/>	1-1/4"	32	38.5	17.6	4.8	118.8	89.0	4	15.7	0.255	0.276	20
<input type="checkbox"/>	1-1/2"	40	40.5	19.0	5.6	127.5	98.5	4	15.7	0.318	0.360	20
<input type="checkbox"/>	2"	50	46.6	19.5	6.9	152.0	120.5	4	19.1	0.458	0.512	10
<input type="checkbox"/>	2-1/2"	65	51.0	22.5	6.6	177.0	139.5	4	19.1	0.749	0.799	10
<input type="checkbox"/>	3"	80	55.0	27.1	7.4	192.8	152.5	4	19.1	0.880	0.983	10
<input type="checkbox"/>	4"	100	64.0	29.3	6.9	229.7	190.5	8	19.1	1.340	1.497	10
<input type="checkbox"/>	5"	125	82.0	28.0	14.0	254.0	216.0	8	22.4	1.648	1.841	10
<input type="checkbox"/>	6"	150	84.5	25.5	6.6	279.0	241.5	8	22.4	1.912	1.944	5
<input type="checkbox"/>	8"	200	116.0	29.0	13.0	343.0	298.5	8	22.4	3.400	3.798	2

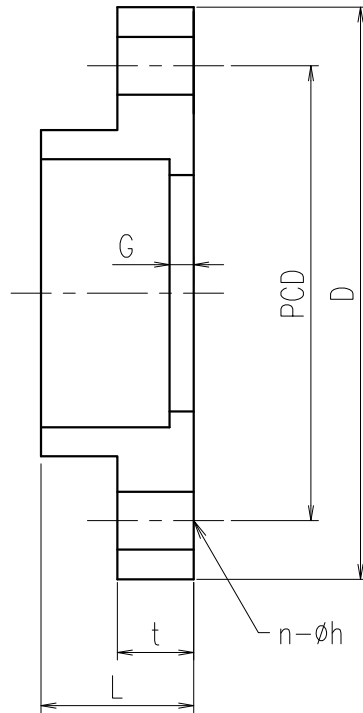
This production meets:
Socket) (PVC) ASTM D-2467
(CPVC) ASTM F-439
Flange) ANSI B16.5 150PSI

Material

- PVC
- CPVC

Eslon Schedule80 Fittings One Piece Flange Flange(ANSI) –Socket (ASTM)		DWG No.
		32 S80FA152H
SEKISUI CHEMICAL CO.,LTD.	Date	Approved by:
	2011.10.11	

Eslon Schedule80 Fittings
One Piece Flange Flange (JIS) –Socket (ASTM)



Unit: mm

	Size		L	t (最小)	G	D	PCD	n	h	Weight kgs/pc		Package pcs/carton
	inch	mm								PVC	CPVC	
<input type="checkbox"/>	1/2"	15	25.0	14.0	2.8	95	70	4	15	0.130	0.150	25
<input type="checkbox"/>	3/4"	20	29.5	14.0	4.1	100	75	4	15	0.140	0.165	25
<input type="checkbox"/>	1"	25	32.0	14.0	3.4	125	90	4	19	0.240	0.265	20
<input type="checkbox"/>	1-1/4"	32	38.5	16.0	3.5	135	100	4	19	0.327	0.355	20
<input type="checkbox"/>	1-1/2"	40	40.5	16.0	5.6	140	105	4	19	0.320	0.358	20
<input type="checkbox"/>	2"	50	45.0	20.0	6.9	155	120	4	19	0.473	0.528	10
<input type="checkbox"/>	2-1/2"	65	51.0	22.0	6.6	175	140	4	19	0.664	0.720	10
<input type="checkbox"/>	3"	80	55.0	22.0	5.0	185	150	8	19	0.700	0.752	10
<input type="checkbox"/>	4"	100	64.0	22.0	5.2	210	175	8	19	0.900	0.984	10
<input type="checkbox"/>	5"	125	82.0	24.0	14.0	250	210	8	23	1.410	1.508	10
<input type="checkbox"/>	6"	150	84.5	25.5	6.2	280	240	8	23	1.800	1.956	5
<input type="checkbox"/>	8"	200	116.0	28.0	13.0	330	290	12	23	2.900	3.358	2

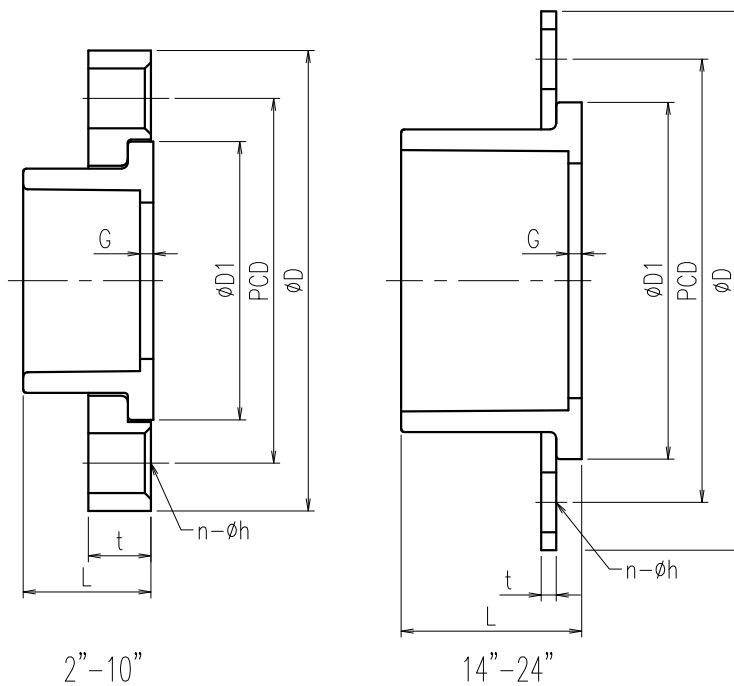
This production meets:
Socket) (PVC) ASTM D-2467
(CPVC) ASTM F-439
Flange) JIS B 2220 10K

Material

- PVC
- CPVC

Eslon Schedule80 Fittings One Piece Flange Flange (JIS) –Socket (ASTM)		DWG No. S80FJ152H
SEKISUI CHEMICAL CO.,LTD.	Date	Approved by:
	2011.10.11	

Eslon Schedule80 Fittings
Van Stone Flange (JIS) –Socket (ASTM)



Unit: mm

	Size		L	t (Min.)	G	D	D1	PCD	n	h	Weight kgs/pc		Package pcs/carton
	inch	mm									PVC	CPVC	
<input type="checkbox"/>	2"	50	43.0	20.0	4.4	153.0	92.0	120	4	20	0.415	0.446	10
<input type="checkbox"/>	2 1/2"	65	51.0	24.5	6.6	178.3	108.0	140	4	20	0.630	0.683	10
<input type="checkbox"/>	3"	80	55.0	27.0	5.1	185.0	119.5	150	8	19	0.775	0.840	10
<input type="checkbox"/>	4"	100	64.0	28.0	5.2	210.0	149.0	175	8	19	0.930	0.990	10
<input type="checkbox"/>	5"	125	82.0	28.0	14.6	250.0	179.0	210	8	23	1.365	1.480	10
<input type="checkbox"/>	6"	150	85.0	32.0	5.5	283.4	207.0	240	8	23	1.930	2.124	5
<input type="checkbox"/>	8"	200	120.5	36.0	12.1	330.0	263.3	290	12	23	3.040	3.295	2
<input type="checkbox"/>	10"	250	150.0	42.0	12.6	400.0	320.5	355	12	25	4.923	5.686	1
<input type="checkbox"/>	14"	350	203.0	14.0	19.0	490.0	414.0	445	16	25	12.670	13.365	1
<input type="checkbox"/>	16"	400	225.0	14.0	21.0	560.0	470.0	510	16	27	17.990	18.850	1
<input type="checkbox"/>	18"	450	248.0	14.0	22.0	620.0	529.7	565	20	27	23.170	25.277	1
<input type="checkbox"/>	20"	500	280.0	15.0	21.0	675.0	584.4	620	20	27	34.300	36.103	1

※ 350A (14") –500A (20") : SS400+ Epoxy Coating

※ This production meets:

Socket

[PVC] 50A (2") –250A (10") : ASTM D-2467. 350 (14") –500A (20") : SEKISUI Standard

[CPVC] 50A (2") –250A (10") : ASTM F-439. 350 (14") –500A (20") : SEKISUI Standard

Flange

The dimension for Diameter, PCD and Bolt Hole Patterns are in accordance with JIS B 2220 10K

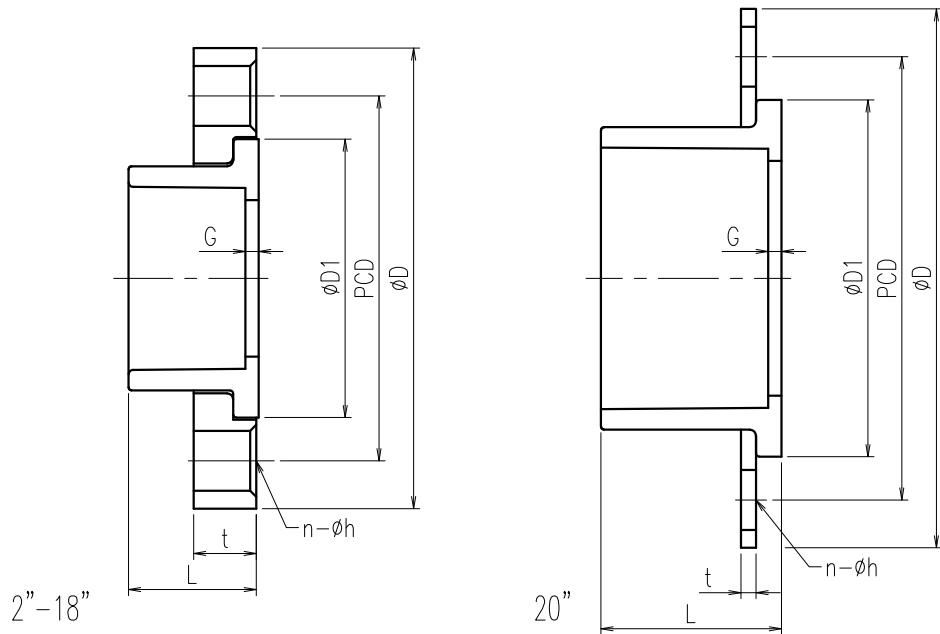
Material

PVC

CPVC

Eslon Schedule80 Fittings Van Stone Flange (JIS) –Socket (ASTM)		DWG No. S8VAJ506H
SEKISUI CHEMICAL CO.,LTD.		Approved by:
Date 2011.10.11		

Eslon Schedule80 Fittings
Van Stone Flange (ANSI) – Socket (ASTM)



Unit: mm

	Size		Pressure MPa	L	t	G	D	D1	PCD	n	h	Weight kg/pc	
	inch	mm										PVC	CPVC
□	1/2"	15	1.0	25.0	11.2	2.78	88.9	38.6	60.5	4	15.9	0.100	0.100
□	3/4"	20	1.0	29.5	12.7	4.10	98.6	47.0	70.0	4	15.9	0.160	0.160
□	1"	25	1.0	32.0	14.5	3.42	108.0	56.4	79.5	4	15.9	0.180	0.180
□	1-1/4"	32	1.0	38.5	15.7	6.75	117.4	65.0	89.0	4	15.9	0.240	0.240
□	1-1/2"	40	1.0	40.5	17.5	5.57	127.0	74.0	98.5	4	15.9	0.290	0.290
□	2"	50	1.0	43.0	20.0	4.40	152.0	92.0	120.5	4	19.1	0.390	0.429
□	2-1/2"	65	1.0	51.0	24.5	6.60	178.0	108.0	139.5	4	19.1	0.595	0.655
□	3"	80	1.0	55.0	27.0	5.10	191.0	119.5	152.4	4	19.1	0.734	0.807
□	4"	100	1.0	64.0	28.0	5.20	229.0	149.0	190.5	8	19.1	1.066	1.173
□	5"	125	1.0	82.0	28.0	14.60	254.0	179.0	216.0	8	22.4	1.423	1.565
□	6"	150	1.0	85.0	32.0	5.50	283.2	207.0	241.5	8	22.4	1.820	2.002
□	8"	200	1.0	120.5	36.0	12.10	343.0	263.3	298.5	8	22.4	2.870	3.157
□	10"	250	1.0	150.0	42.0	12.60	406.0	320.5	362.0	12	25.4	4.923	5.415
□	12"	300	1.0	190.0	42.0	16.70	483.0	382.0	432.0	12	25.4	8.800	9.680
□	14"	350	1.0	203.0	51.0	19.00	533.0	414.0	476.0	12	28.4	11.778	12.329
□	16"	400	1.0	225.0	60.0	21.00	597.0	470.0	540.0	16	28.4	16.620	17.460
□	18" ※	450	1.0	248.0	60.0	22.00	635.0	529.7	578.0	16	31.8	19.315	21.599
□	20" ※	500	0.6	280.0	17.5	21.00	699.0	584.4	635.0	20	31.8	33.030	35.805
			1.0		29.0							47.751	49.554

20": SS400+Epoxy Coating

·This production meets:

Socket [PVC]15A(1/2") –300A(12") : ASTM D-2467, 350(14") –500(20") : ASTM D-2672

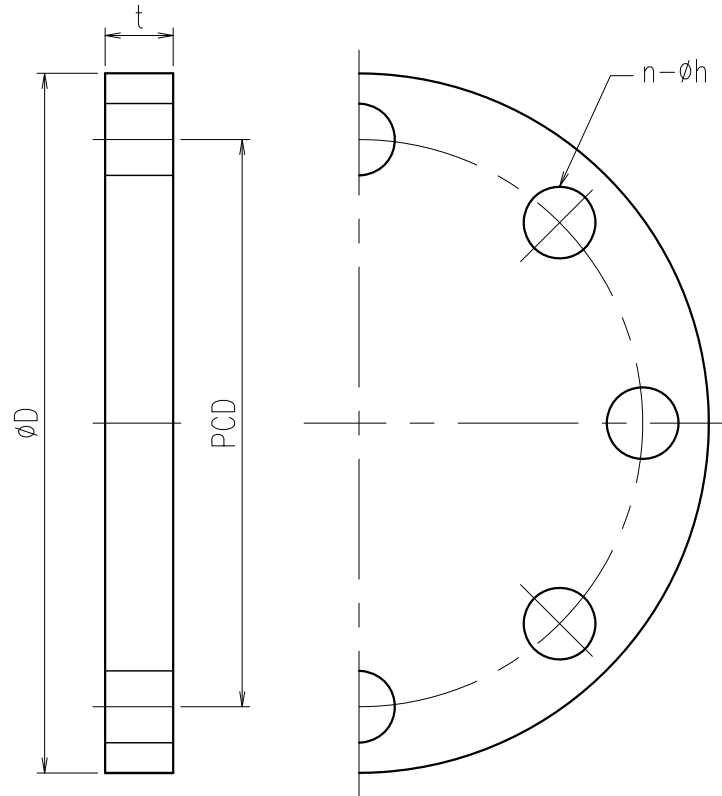
[CPVC]15A(1/2") –300A(12") : ASTM F-439, 350(14") –500(20") : ASTM D-2672

Flange The dimension for Diameter PCD and Bolt Hole Patterns of Flange are in ANSI B16.5 150PSI

※ For 18" or more, please contact us.

Eslon Schedule80 Fittings Van Stone Flange (ANSI) –Socket (ASTM)		DWG No. S8VSA506H
Date 2011.10.11		Approved by:
SEKISUI CHEMICAL CO.,LTD.		

Eslon Schedule80 Fittings
Blind Flange (ANSI 150psi)



unit:mm

	Size		t	D	PCD	n	h	package kg/ carton	
	inch	mm						PVC	CPVC
<input type="checkbox"/>	1/2"	15	12	89	60.5	4	16	0.108	0.117
<input type="checkbox"/>	3/4"	20	13	98	70.0	4	16	0.148	0.160
<input type="checkbox"/>	1"	25	15	108	79.5	4	16	0.176	0.190
<input type="checkbox"/>	1.1/4"	32	16	117	89.0	4	16	0.220	0.238
<input type="checkbox"/>	1.1/2"	40	18	127	98.5	4	16	0.295	0.329
<input type="checkbox"/>	2"	50	18	152	120.5	4	19	0.463	0.518
<input type="checkbox"/>	2.1/2"	65	22	178	139.5	4	19	0.740	0.843
<input type="checkbox"/>	3"	80	24	191	152.4	4	19	0.928	1.006
<input type="checkbox"/>	4"	100	24	229	190.5	8	19	1.501	1.627
<input type="checkbox"/>	5"	125	26	254	216.0	8	22	1.746	1.950
<input type="checkbox"/>	6"	150	26	282	241.5	8	22	2.229	2.489
<input type="checkbox"/>	8"	200	28	343	298.5	8	22	3.410	3.809
<input type="checkbox"/>	10"	250	28	406	362.0	12	25	4.842	-
<input type="checkbox"/>	12"	300	28	483	432.0	12	25	7.010	-
<input type="checkbox"/>	14"※	350	45	535	476.0	12	29	14.905	-
<input type="checkbox"/>	16"※	400	45	595	540.0	16	29	16.843	-

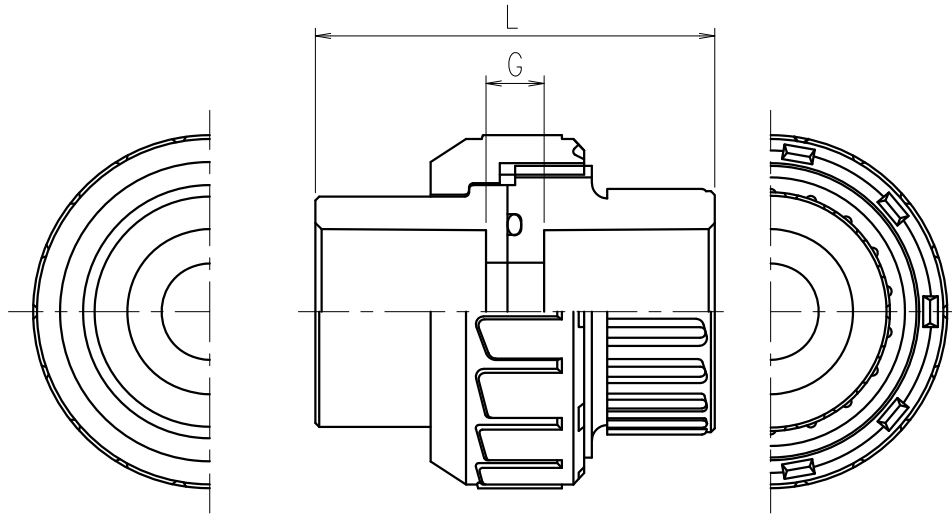
This production meets:1/2-12" ANSI B16.5 150PSI, 14-16" SEKISUI standard
※For 14" or more, please contact us.

Material

- PVC
- CPVC

Eslon Schedule80 Fittings Blind Flange (ANSI 150psi)		DWG No.
		⁴⁰ S8BFA156H
SEKISUI SEKISUI CHEMICAL CO.,LTD.	Date	Approved by:
	2011.10.11	

Eslon Schedule80 Fittings
Union



	Size		L	G	O-Ring	Weight kg/pc		Package pcst/carton
	inch	mm				PVC	CPVC	
<input type="checkbox"/>	1/2"	15	52	6.5	P20	0.047	0.050	24
<input type="checkbox"/>	3/4"	20	59	7.5	P24	0.073	0.080	24
<input type="checkbox"/>	1"	25	67	8.0	P30	0.132	0.140	24
<input type="checkbox"/>	1-1/4"	32	76	12.5	P36	0.208	0.217	12
<input type="checkbox"/>	1-1/2"	40	82	10.5	P46	0.271	0.295	9
<input type="checkbox"/>	2"	50	92	14.0	P58	0.433	0.475	6
<input type="checkbox"/>	2-1/2"	65	108	19.0	P71	0.667	0.775	6
<input type="checkbox"/>	3"	80	120	25.0	P85	1.093	1.180	4
<input type="checkbox"/>	4"	100	152	37.0	P112	1.873	2.050	4

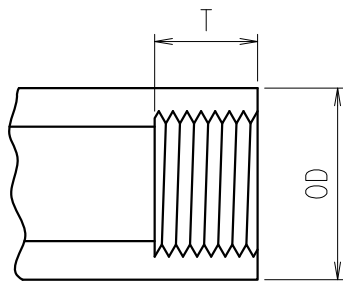
This production meets:
PVC: ASTM D-2467、CPVC: ASTM F-439

Material

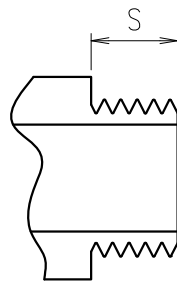
- PVC
- CPVC

Eslon Schedule80 Fittings Union		DWG No.
		⁴¹ S8UN151H
SEKISUI SEKISUI CHEMICAL CO.,LTD.	Date	Approved by:
	2011.10.11	

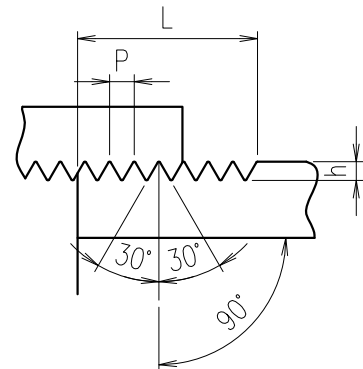
Eslon Schedule80 Fittings
Thread Dimension



Female Taper Threads



Male Taper Threads



American National
Standard Taper
Pipe Threads (NPT)

Dimension Table

Unit: mm

	Size		Pipe O.D. OD	Female Thread Min.Length T	Male Thread Min.Length S	Overall Pipe Thread Length L	Threads Per In. N (per inch)	Pitch of Thread P	Height Threads h
	inch	mm							
<input type="checkbox"/>	1/2"	15	32.5	16.26	13.46	19.85	14.0	1.814	1.451
<input type="checkbox"/>	3/4"	20	38.2	16.51	13.92	20.15	14.0	1.814	1.451
<input type="checkbox"/>	1"	25	46.0	20.57	17.27	25.01	11.5	2.209	1.767
<input type="checkbox"/>	1-1/4"	32	56.0	21.59	18.03	25.62	11.5	2.209	1.767
<input type="checkbox"/>	1-1/2"	40	63.5	21.59	18.29	26.04	11.5	2.209	1.767
<input type="checkbox"/>	2"	50	77.0	22.86	19.30	26.88	11.5	2.209	1.767
<input type="checkbox"/>	2-1/2"	65	91.0	30.25	28.96	39.91	8.0	3.175	2.540
<input type="checkbox"/>	3"	80	107.0	33.02	30.48	41.50	8.0	3.175	2.540
<input type="checkbox"/>	4"	100	138.0	35.05	33.02	44.04	8.0	3.175	2.540

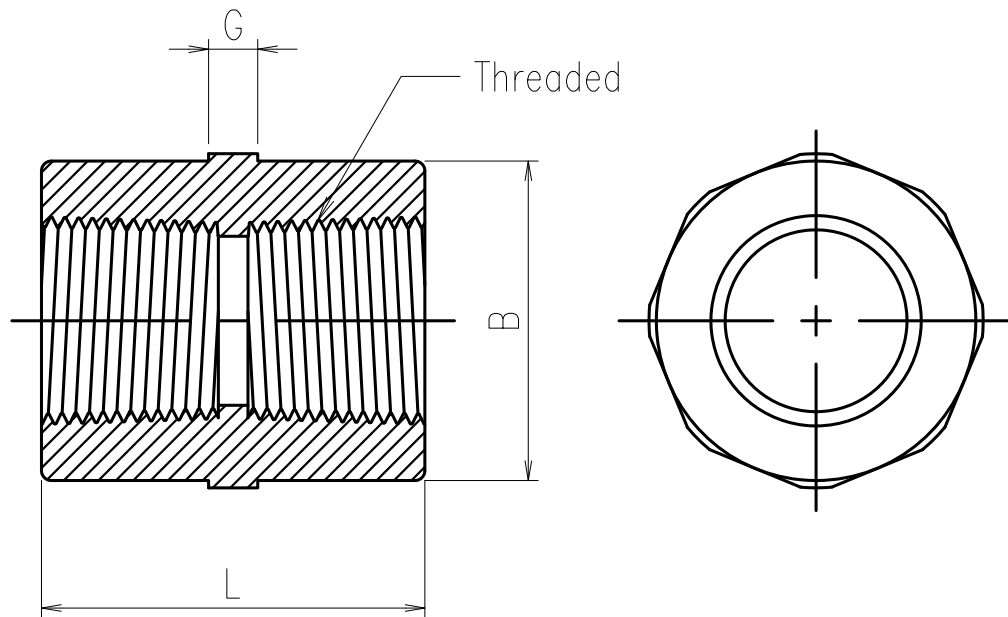
This production meets: (PVC) ASTM D-2464, (CPVC) ASTM F-437

Material

- PVC
- CPVC

Eslon Schedule80 Fittings Thread Dimension		DWG No.
		S8TD151H
SEKISUI SEKISUI CHEMICAL CO.,LTD.	Date	Approved by:
	2011.10.11	

Esilon Schedule80 Fittings
Coupling FTxFT



Dimension Table

Unit: mm

	Size		L	G	B	Weight kgs/pc		Package pcs/carton
	inch	mm				PVC	CPVC	
<input type="checkbox"/>	1/2"	15	39.0	5.0	32.5	0.028	0.029	300
<input type="checkbox"/>	3/4"	20	39.0	5.0	38.1	0.036	0.037	180
<input type="checkbox"/>	1"	25	47.0	6.0	46.0	0.059	0.062	200
<input type="checkbox"/>	1-1/4"	32	55.0	6.0	56.0	0.092	0.097	120
<input type="checkbox"/>	1-1/2"	40	55.0	7.0	63.5	0.116	0.121	10
<input type="checkbox"/>	2"	50	60.5	9.0	77.0	0.166	0.175	10
<input type="checkbox"/>	2-1/2"	65	87.0	10.0	91.0	0.325	0.341	5
<input type="checkbox"/>	3"	80	90.0	12.0	107.0	0.412	0.433	5
<input type="checkbox"/>	4"	100	96.0	13.0	138.0	0.708	0.743	5

This production meets: (PVC) ASTM D-2464
(CPVC) ASTM F-437

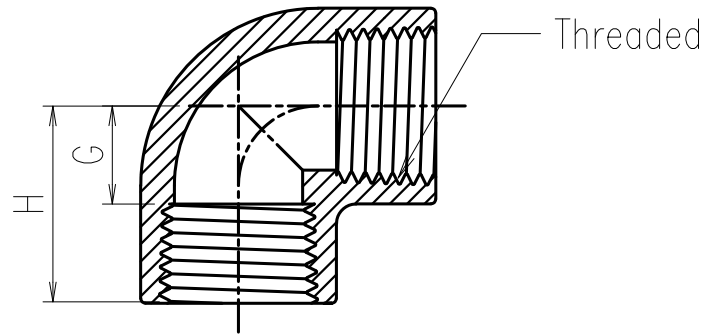
7

Material

- PVC
- CPVC

Esilon Schedule80 Fittings Coupling FTxFT		DWG No.
		S8CPFT151H
SEKISUI SEKISUI CHEMICAL CO.,LTD.	Date	Approved by:
	2011.10.11	

Eslon Schedule80 Fittings
90°Elbow FTxFT



Dimension Table

Unit: mm

	Size		G	H (Min.)	Weight kgs/pc		Package pcs/carton
	inch	mm			PVC	CPVC	
<input type="checkbox"/>	1/2"	15	15.0	33.0	0.047	0.054	240
<input type="checkbox"/>	3/4"	20	17.0	35.0	0.065	0.074	160
<input type="checkbox"/>	1"	25	22.0	43.0	0.100	0.132	80
<input type="checkbox"/>	1-1/4"	32	26.3	52.3	0.175	0.217	10
<input type="checkbox"/>	1-1/2"	40	30.0	56.0	0.234	0.314	10
<input type="checkbox"/>	2"	50	36.0	63.0	0.428	0.471	10
<input type="checkbox"/>	2-1/2"	65	44.5	84.5	0.716	0.788	5
<input type="checkbox"/>	3"	80	52.0	94.0	1.309	1.440	5
<input type="checkbox"/>	4"	100	63.5	108.0	2.165	2.363	5

This production meets: (PVC) ASTM D-2464
(CPVC) ASTM F-437

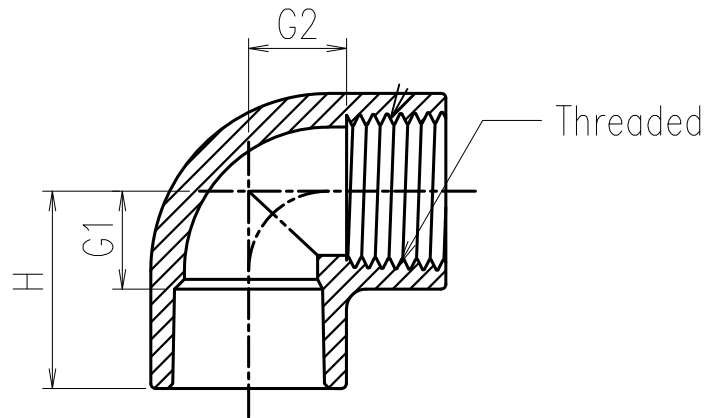
11

Material

- PVC
- CPVC

Eslon Schedule80 Fittings 90°Elbow FTxFT		DWG No.
		S8ELFT151H
SEKISUI SEKISUI CHEMICAL CO.,LTD.	Date	Approved by:
	2011.10.11	

Eslon Schedule80 Fittings
90°Elbow SxFT



Dimension Table

Unit: mm

	Size		G1	G2	H (Min.)	Weight kgs/pc		Package pcs/carton
	inch	mm				PVC	CPVC	
<input type="checkbox"/>	1/2"	15	15.3	19.5	37.5	0.037	0.040	240
<input type="checkbox"/>	3/4"	20	17.1	24.5	42.5	0.045	0.049	160
<input type="checkbox"/>	1"	25	21.4	28.0	50.0	0.080	0.087	80
<input type="checkbox"/>	1-1/4"	32	26.3	32.0	58.0	0.140	0.153	10
<input type="checkbox"/>	1-1/2"	40	30.1	39.0	65.0	0.185	0.202	10
<input type="checkbox"/>	2"	50	35.9	47.0	74.0	0.270	0.295	10
<input type="checkbox"/>	2-1/2"	65	44.6	49.0	89.0	0.464	0.506	5
<input type="checkbox"/>	3"	80	53.4	59.0	101.0	0.771	0.842	5
<input type="checkbox"/>	4"	100	63.9	76.6	121.0	1.240	1.354	5

This production meets:

Socket) PVC: ASTM D-2467, CPVC: ASTM F-439

Thread) PVC: ASTM D-2464, CPVC: ASTM F-437

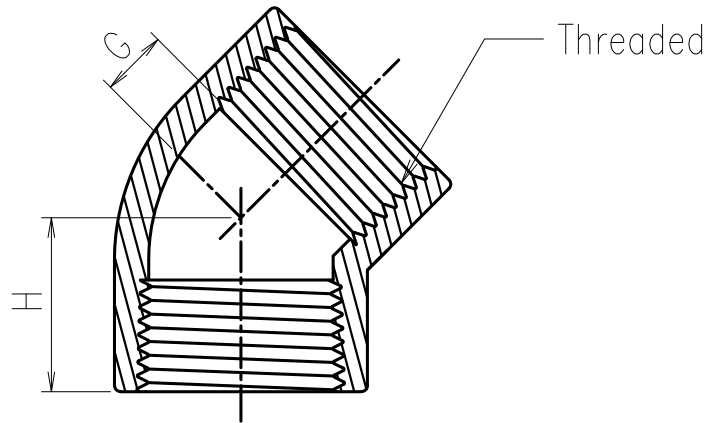
12

Material

- PVC
- CPVC

Eslon Schedule80 Fittings 90°Elbow SxFT		DWG No.
		S8ELST151H
SEKISUI SEKISUI CHEMICAL CO.,LTD.	Date	Approved by:
	2011.10.11	

Eslon Schedule80 Fittings
45°Elbow FTxFT



Dimension Table

Unit: mm

	Size		G	H	Weight kgs/pc		Package pcs/carton
	inch	mm			PVC	CPVC	
<input type="checkbox"/>	1/2"	15	6.8	24.8	0.040	0.044	240
<input type="checkbox"/>	3/4"	20	8.5	26.5	0.058	0.063	160
<input type="checkbox"/>	1"	25	9.5	31.5	0.094	0.103	80
<input type="checkbox"/>	1-1/4"	32	11.3	37.3	0.146	0.160	10
<input type="checkbox"/>	1-1/2"	40	12.1	38.1	0.200	0.218	10
<input type="checkbox"/>	2"	50	17.0	44.0	0.298	0.326	10
<input type="checkbox"/>	2-1/2"	65	19.5	64.0	0.537	0.591	5
<input type="checkbox"/>	3"	80	24.0	72.0	0.920	1.012	5
<input type="checkbox"/>	4"	100	28.5	86.0	1.503	1.640	5

This production meets: (PVC) ASTM D-2464
(CPVC) ASTM F-437

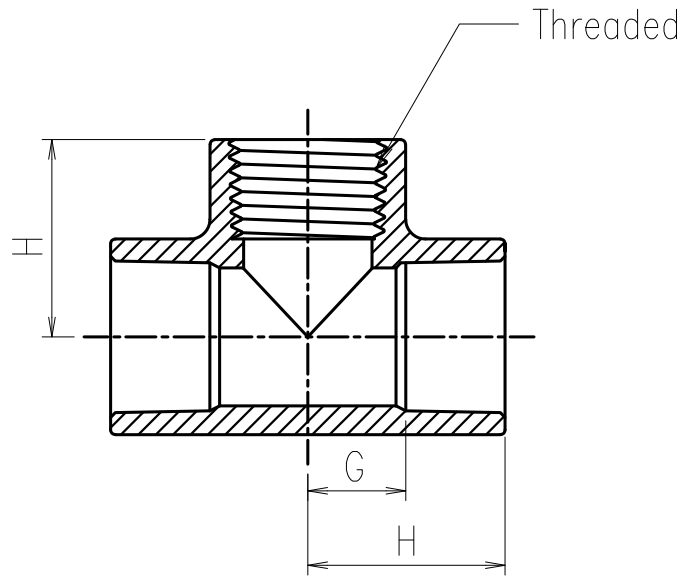
15

Material

- PVC
- CPVC

Eslon Schedule80 Fittings 45°Elbow FTxFT		DWG No.
		S84LFT151H
SEKISUI SEKISUI CHEMICAL CO.,LTD.	Date	Approved by:
	2012.11.20	

Eslon Schedule80 Fittings
Tee SxSxFT



Dimension Table

Unit: mm

	Size		G	H	Weight kgs/pc		Package pcs/carton
	inch	mm			PVC	CPVC	
<input type="checkbox"/>	1/2"	15	15.3	37.5	0.050	0.055	200
<input type="checkbox"/>	3/4"	20	17.1	42.5	0.065	0.071	120
<input type="checkbox"/>	1"	25	21.4	50.0	0.105	0.115	15
<input type="checkbox"/>	1-1/4"	32	26.3	58.0	0.184	0.201	10
<input type="checkbox"/>	1-1/2"	40	30.1	65.0	0.235	0.257	10
<input type="checkbox"/>	2"	50	35.9	74.0	0.355	0.388	10
<input type="checkbox"/>	2-1/2"	65	44.6	89.0	0.619	0.676	10
<input type="checkbox"/>	3"	80	53.4	101.0	1.010	1.102	5
<input type="checkbox"/>	4"	100	63.9	121.0	1.581	1.726	5

This production meets:

Socket) PVC: ASTM D-2467, CPVC: ASTM F-439

Thread) PVC: ASTM D-2464, CPVC: ASTM F-437

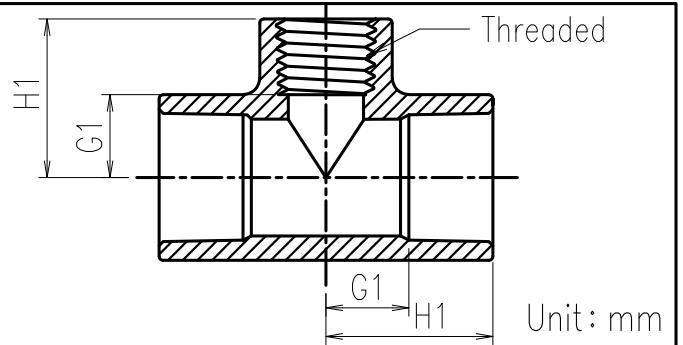
19

Material

- PVC
- CPVC

Eslon Schedule80 Fittings Tee SxSxFT		DWG No.
		S8TST151H
SEKISUI SEKISUI CHEMICAL CO.,LTD.	Date	Approved by:
	2012.11.20	

Esilon Schedule80 Fittings
Reducing Tee SxSxFT



Dimension Table

	Size				G1	G2	H1	H2	Weight kgs/pc		Package pcs/carton
	inch		mm						PVC	CPVC	
<input type="checkbox"/>	3/4"	1/2"	20	15	17.10	17.78	42.50	40.00	0.060	0.067	120
<input type="checkbox"/>	1"	1/2"	25	15	21.42	21.78	50.00	44.00	0.096	0.107	15
<input type="checkbox"/>		3/4"		20	21.42	20.60	50.00	46.00	0.098	0.109	15
<input type="checkbox"/>	1-1/4"	1/2"	32	15	26.25	25.78	58.00	48.00	0.152	0.170	10
<input type="checkbox"/>		3/4"		20	26.25	26.60	58.00	52.00	0.154	0.172	10
<input type="checkbox"/>		1"		25	26.25	25.42	58.00	54.00	0.159	0.178	10
<input type="checkbox"/>	1-1/2"	1/2"	40	15	30.07	29.78	65.00	52.00	0.200	0.223	15
<input type="checkbox"/>		3/4"		20	30.07	29.60	65.00	55.00	0.202	0.226	10
<input type="checkbox"/>		1"		25	30.07	29.42	65.00	58.00	0.207	0.231	15
<input type="checkbox"/>		1-1/4"		32	30.07	30.25	65.00	62.00	0.216	0.241	10
<input type="checkbox"/>	2"	1/2"	50	15	35.90	35.79	74.00	58.00	0.281	0.314	10
<input type="checkbox"/>		3/4"		20	35.90	35.60	74.00	61.00	0.283	0.316	10
<input type="checkbox"/>		1"		25	35.90	37.42	74.00	66.00	0.292	0.326	10
<input type="checkbox"/>		1-1/4"		32	35.90	36.25	74.00	68.00	0.303	0.338	10
<input type="checkbox"/>		1-1/2"		40	35.90	36.07	74.00	71.00	0.312	0.349	10
<input type="checkbox"/>	2-1/2"	1-1/2"	65	40	44.45	42.07	89.00	77.00	0.534	0.596	5
<input type="checkbox"/>		2"		50	44.45	43.90	89.00	82.00	0.552	0.617	5
<input type="checkbox"/>	3"	1-1/2"	80	40	53.37	50.07	101.00	85.00	0.711	0.794	5
<input type="checkbox"/>		2"		50	53.37	51.90	101.00	90.00	0.733	0.819	5
<input type="checkbox"/>		2-1/2"		65	53.37	52.55	101.00	97.00	0.768	0.858	5
<input type="checkbox"/>	4"	2"	100	50	63.85	62.90	121.00	101.00	1.328	1.483	5
<input type="checkbox"/>		2-1/2"		65	63.85	63.55	121.00	108.00	1.326	1.481	5
<input type="checkbox"/>		3"		80	63.85	64.37	121.00	112.00	1.380	1.541	5
<input type="checkbox"/>	5"	4"	125	100	79.50	78.85	147.50	136.00	1.984	2.216	1
<input type="checkbox"/>	6"	3"	150	80	95.00	95.37	173.00	143.00	3.350	3.742	4
<input type="checkbox"/>		4"		100	95.00	94.85	173.00	152.00	3.328	3.717	4
<input type="checkbox"/>	8"	3"	200	80	122.00	122.37	225.00	170.00	7.720	8.623	4
<input type="checkbox"/>		4"		100	122.00	122.85	225.00	180.00	7.860	8.780	2
<input type="checkbox"/>	10"	4"	250	100	150.00	152.85	290.00	210.00	14.010	15.649	1
<input type="checkbox"/>	12"	4"	300	100	175.00	183.00	330.00	240.50	21.900	24.090	1

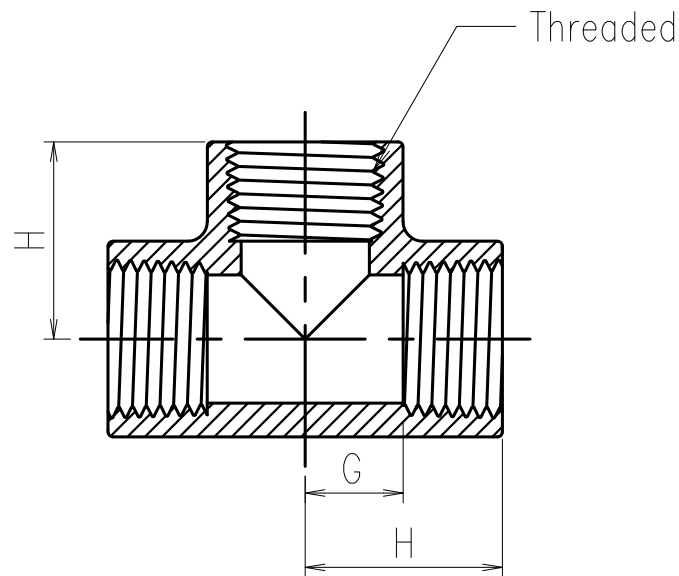
This production meets: Socket) PVC: ASTM D-2467,CPVC: ASTM F-439, Thread) PVC: ASTM D-2464,CPVC: ASTM F-437 20

Material

- PVC
- CPVC

Esilon Schedule80 Fittings Reducing Tee SxSxFT		DWG No.	
		S8RTST151H	
SEKISUI SEKISUI CHEMICAL CO.,LTD.	Date	Approved by:	
	2012.11.20		

Eslon Schedule80 Fittings
Tee FTxFTxFT



Dimension Table

Unit: mm

	Size		G	H	Weight kgs/pc		Package pcs/carton
	inch	mm			PVC	CPVC	
<input type="checkbox"/>	1/2"	15	16.7	33.0	0.066	0.072	200
<input type="checkbox"/>	3/4"	20	18.5	35.0	0.091	0.099	120
<input type="checkbox"/>	1"	25	22.4	43.0	0.150	0.164	15
<input type="checkbox"/>	1-1/4"	32	30.7	52.3	0.249	0.272	10
<input type="checkbox"/>	1-1/2"	40	34.4	56.0	0.334	0.365	10
<input type="checkbox"/>	2"	50	40.1	63.0	0.530	0.553	10
<input type="checkbox"/>	2-1/2"	65	58.8	89.0	0.866	0.946	10
<input type="checkbox"/>	3"	80	68.0	101.0	1.467	1.614	5
<input type="checkbox"/>	4"	100	86.0	121.0	2.336	2.550	5

This production meets: (PVC) ASTM D-2464
(CPVC) ASTM F-437

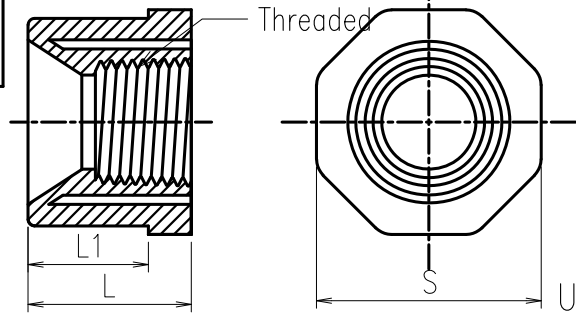
23

Material

- PVC
- CPVC

Eslon Schedule80 Fittings Tee FTxFTxFT		DWG No.
		S8TT151H
SEKISUI SEKISUI CHEMICAL CO.,LTD.	Date	Approved by:
	2012.11.20	

Eslon Schedule80 Fittings
Reducing Bushing SxFT



Dimension Table

	Size				L	L1	S	Thread	Weight	kgs/ pc	Package pcs/ carton
	inch		mm						PVC	CPVC	
<input type="checkbox"/>	3/4"	1/2"	20	15	33	25	30	NPT1/2"	0.014	0.021	600
<input type="checkbox"/>	1"	1/2"	25	15	36	29	38	NPT1/2"	0.030	0.035	600
<input type="checkbox"/>		3/4"		20	36	29	38	NPT3/4"	0.030	0.027	400
<input type="checkbox"/>	1-1/4"	1/2"	32	15	41	32	47	NPT1/2"	0.060	0.060	150
<input type="checkbox"/>		3/4"		20	41	32	47	NPT3/4"	0.054	0.056	300
<input type="checkbox"/>		1"		25	41	32	47	NPT1"	0.042	0.047	200
<input type="checkbox"/>	1-1/2"	1/2"	40	15	44	35	53	NPT1/2"	0.075	0.080	200
<input type="checkbox"/>		3/4"		20	44	35	53	NPT3/4"	0.061	0.076	200
<input type="checkbox"/>		1"		25	44	35	53	NPT1"	0.070	0.076	200
<input type="checkbox"/>		1-1/4"		32	44	35	53	NPT1-1/4"	0.045	0.040	200
<input type="checkbox"/>	2"	1/2"	50	15	50	38	66	NPT1/2"	0.114	0.136	120
<input type="checkbox"/>		3/4"		20	50	38	66	NPT3/4"	0.114	0.134	120
<input type="checkbox"/>		1"		25	50	38	66	NPT1"	0.130	0.140	120
<input type="checkbox"/>		1-1/4"		32	50	38	66	NPT1-1/4"	0.120	0.120	120
<input type="checkbox"/>		1-1/2"		40	50	38	66	NPT1-1/2"	0.105	0.106	120
<input type="checkbox"/>	2-1/2"	1-1/2"	65	40	55	44	78	NPT1-1/2"	0.190	0.231	10
<input type="checkbox"/>		2"		50	55	44	78	NPT2"	0.140	0.140	15
<input type="checkbox"/>	3"	1"	80	25	58	48	94	NPT1"	0.244	0.346	10
<input type="checkbox"/>		1-1/2"		40	58	48	94	NPT1-1/2"	0.290	0.342	10
<input type="checkbox"/>		2"		50	58	48	94	NPT2"	0.285	0.287	10
<input type="checkbox"/>		2-1/2"		65	58	48	94	NPT2-1/2"	0.225	0.224	15
<input type="checkbox"/>	4"	1"	100	25	70	57	120	NPT1"	0.540	0.610	6
<input type="checkbox"/>		1-1/2"		40	70	57	120	NPT1-1/2"	0.597	0.733	6
<input type="checkbox"/>		2"		50	70	57	120	NPT2"	0.550	0.550	6
<input type="checkbox"/>		2-1/2"		65	70	57	120	NPT2-1/2"	0.520	0.500	6
<input type="checkbox"/>		3"		80	70	57	120	NPT3"	0.395	0.436	6
<input type="checkbox"/>	5"	4"	125	100	82	67	150	NPT4"	0.474	0.746	4
<input type="checkbox"/>	6"	3"	150	80	92	78	175	NPT3"	1.271	1.254	5
<input type="checkbox"/>		4"		100	92	78	175	NPT4"	1.250	1.171	5
<input type="checkbox"/>	8"	4"	200	100	120	102	230	NPT4"	2.430	4.364	4

This production meets: (PVC) ASTM D-2464 (CPVC) ASTM F-437

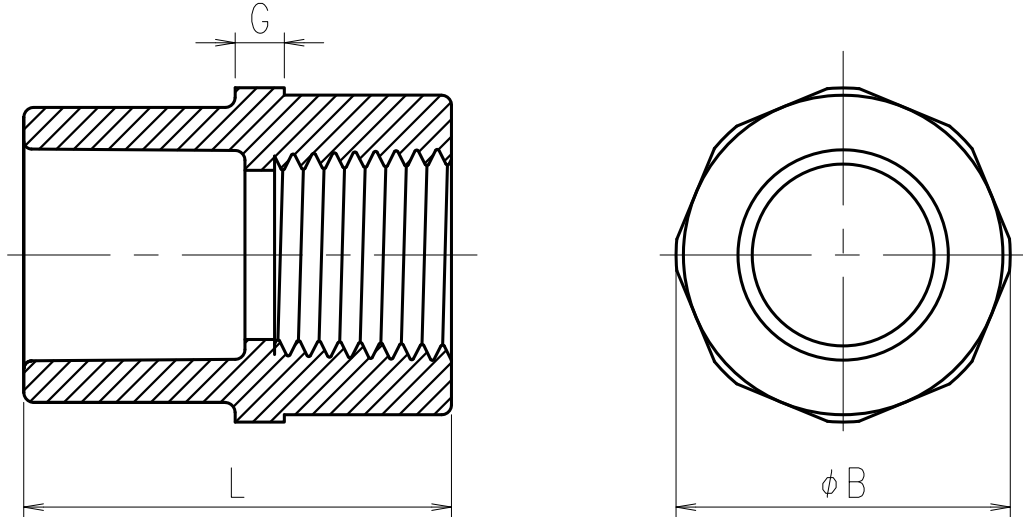
25

Material

- PVC
- CPVC

Eslon Schedule80 Fittings Reducing Bushing SxFT		DWG No.
		S8RBFT152H
SEKISUI SEKISUI CHEMICAL CO.,LTD.	Date	Approved by:
	2011.10.05	

Esilon Schedule80 Fittings
Female Adapter SxFT



Dimension Table

Unit: mm

Size		L	G	B	Weight kg/pc		Package pcs/carton
inch	mm				PVC	CPVC	
1/2"	15	44	5	33	0.025	0.029	240
3/4"	20	47	5	38	0.035	0.035	160
1"	25	54	6	46	0.055	0.042	80
1.1/4"	32	60	6	56	0.085	0.113	10
1.1/2"	40	65	7	64	0.110	0.110	10
2"	50	70	10	77	0.165	0.183	10
2.1/2"	65	92	10	91	0.292	0.318	5
3"	80	96	12	107	0.400	0.357	5
4"	100	108	13	138	0.650	0.700	5

This production meets:

Socket) PVC: ASTM D-2467, CPVC: ASTM F-439

Thread) PVC: ASTM D-2464, CPVC: ASTM F-437

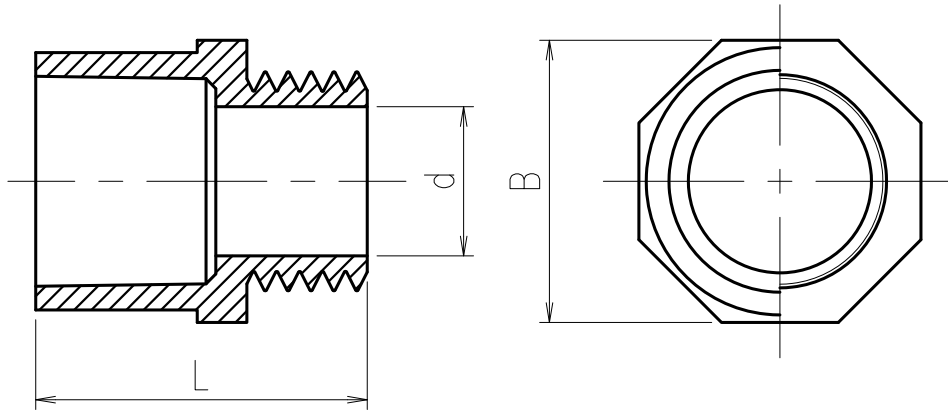
26

Material

- PVC
- CPVC

Esilon Schedule80 Fittings Female Adapter SxFT		DWG No.
		S8FA151H
SEKISUI SEKISUI CHEMICAL CO.,LTD.	Date	Approved by:
	2011.10.04	

Esilon Schedule80 Fittings
Male Adapter MptxS



Dimension Table

Unit: mm

Size		L	d	B	Weight kg/pc		Package pcs/carton
inch	mm				PVC	CPVC	
1/2"	15	46	13	33	0.020	0.020	300
3/4"	20	50	18	39	0.025	0.028	300
1"	25	56	24	47	0.040	0.045	120
1-1/4"	32	63	32	58	0.064	0.071	120
1-1/2"	40	66	37	64	0.090	0.101	120
2"	50	73	49	77	0.120	0.134	80
2-1/2"	65	93	58	94	0.245	0.246	5
3"	80	98	72	111	0.300	0.335	5
4"	100	112	96	139	0.510	0.570	5

This production meets:

Socket) PVC: ASTM D-2467, CPVC: ASTM F-439

Thread) PVC: ASTM D-2464, CPVC: ASTM F-437

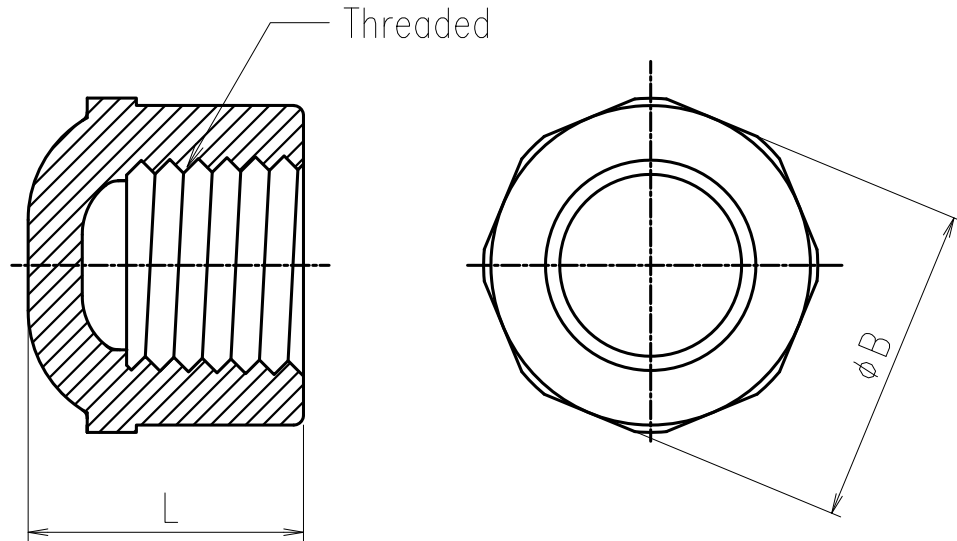
27

Material

- PVC
- CPVC

Esilon Schedule80 Fittings Male Adapter MptxS		DWG No.
		S8MA151H
SEKISUI SEKISUI CHEMICAL CO.,LTD.	Date	Approved by:
	2011.10.04	

Esilon Schedule80 Fittings
Cap With Female Thread



Dimension Table

Unit: mm

	Size		L	B	Weight kgs/pc		Package pcs/carton
	inch	mm			PVC	CPVC	
<input type="checkbox"/>	1/2"	15	28.0	32.5	0.020	0.022	300
<input type="checkbox"/>	3/4"	20	31.0	38.1	0.029	0.032	300
<input type="checkbox"/>	1"	25	37.0	46.0	0.046	0.050	180
<input type="checkbox"/>	1-1/4"	32	41.0	56.0	0.073	0.080	120
<input type="checkbox"/>	1-1/2"	40	42.0	63.5	0.110	0.120	120
<input type="checkbox"/>	2"	50	46.0	77.0	0.149	0.163	80
<input type="checkbox"/>	2-1/2"	65	65.5	91.0	0.257	0.281	40
<input type="checkbox"/>	3"	80	73.0	107.0	0.431	0.471	5
<input type="checkbox"/>	4"	100	84.5	138.0	0.592	0.646	5

This production meets: (PVC) ASTM D-2464
(CPVC) ASTM F-437

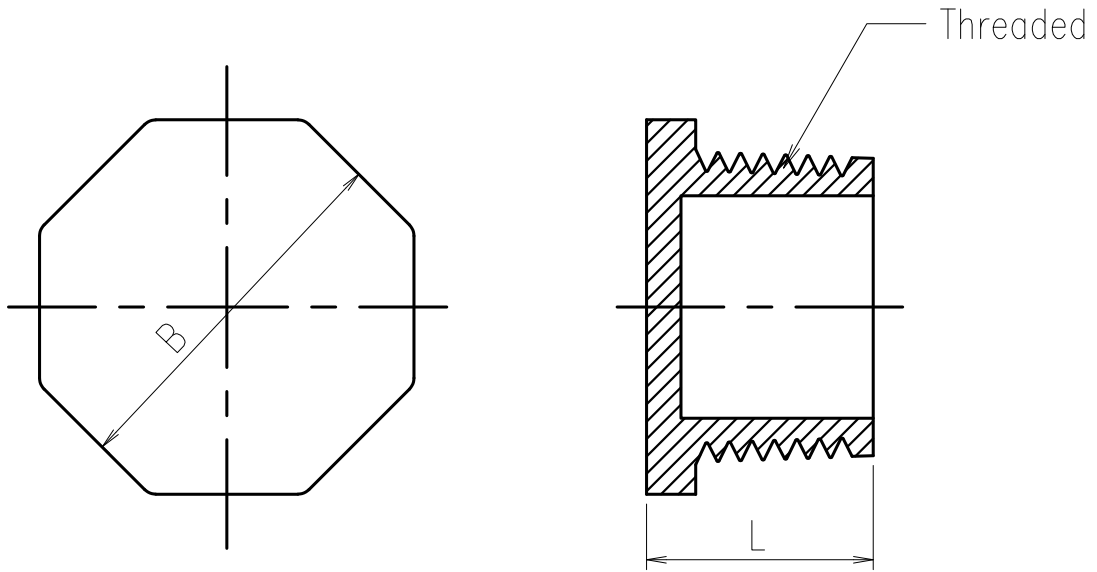
29

Material

- PVC
- CPVC

Esilon Schedule80 Fittings Cap With Female Thread		DWG No.
		S8SCFT151H
SEKISUI SEKISUI CHEMICAL CO.,LTD.	Date	Approved by:
	2011.10.11	

Eslon Schedule80 Fittings
Plug with Male Thread



Dimension Table

Unit: mm

	Size		L	B	Thread	Weight kgs/pc		Package pcs/carton
	inch	mm				PVC	CPVC	
<input type="checkbox"/>	1/2"	15	24.5	24	NPT1/2"	0.008	0.009	300
<input type="checkbox"/>	3/4"	20	25.0	30	NPT3/4"	0.012	0.013	300
<input type="checkbox"/>	1"	25	28.0	38	NPT1"	0.026	0.028	180
<input type="checkbox"/>	1-1/4"	32	32.5	47	NPT1-1/4"	0.034	0.037	120
<input type="checkbox"/>	1-1/2"	40	33.0	53	NPT1-1/2"	0.045	0.049	120
<input type="checkbox"/>	2"	50	36.5	65	NPT2"	0.085	0.093	80
<input type="checkbox"/>	2-1/2"	65	50.0	79	NPT2-1/2"	0.128	0.140	40
<input type="checkbox"/>	3"	80	52.0	95	NPT3"	0.193	0.211	5
<input type="checkbox"/>	4"	100	54.5	120	NPT4"	0.347	0.379	5

This production meets: (PVC) ASTM D-2464
(CPVC) ASTM F-437

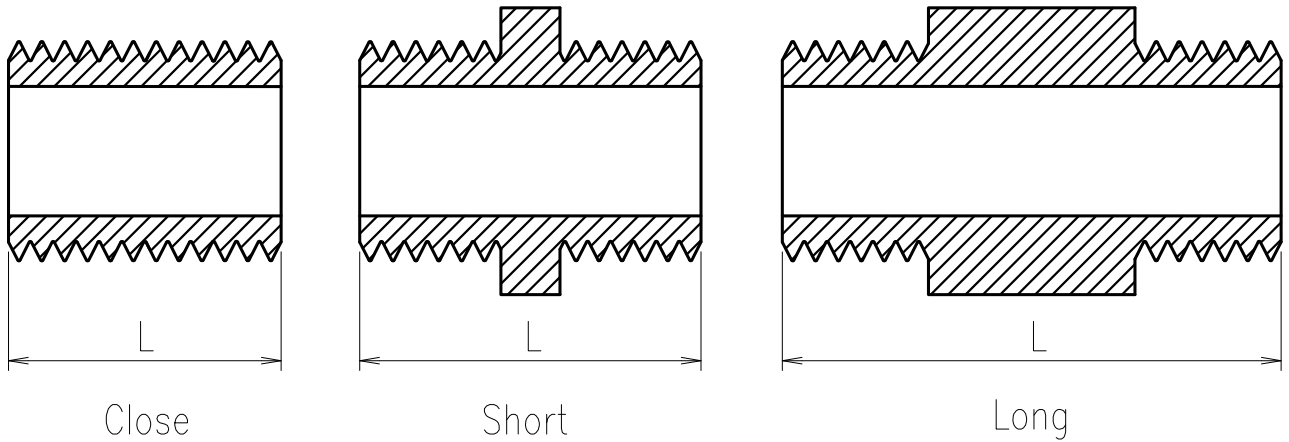
30

Material

- PVC
- CPVC

Eslon Schedule80 Fittings Plug with Male Thread		DWG No.
		S8NP151H
SEKISUI SEKISUI CHEMICAL CO.,LTD.	Date	Approved by:
	2011.09.30	

Eslon Schedule80 Fittings
Nipple



Dimension Table

Unit: mm

Close Type

	Size	L
<input type="checkbox"/>	1/2"	37
<input type="checkbox"/>	3/4"	37
<input type="checkbox"/>	1"	42
<input type="checkbox"/>	1-1/4"	49
<input type="checkbox"/>	1-1/2"	49
<input type="checkbox"/>	2"	54
<input type="checkbox"/>	2-1/2"	80
<input type="checkbox"/>	3"	84
<input type="checkbox"/>	4"	89

Short Type

	Size	L			
<input type="checkbox"/>	1/2"	44	51	76	102
<input type="checkbox"/>	3/4"	44	51	76	102
<input type="checkbox"/>	1"	-	51	76	102
<input type="checkbox"/>	1-1/4"	-	51	76	102
<input type="checkbox"/>	1-1/2"	-	51	76	102
<input type="checkbox"/>	2"	-	-	76	102
<input type="checkbox"/>	2-1/2"	-	-	-	102
<input type="checkbox"/>	3"	-	-	-	102
<input type="checkbox"/>	4"	-	-	-	102

Long Type

	Size	L				
<input type="checkbox"/>	1/2"	127	152	203	254	305
<input type="checkbox"/>	3/4"	127	152	203	254	305
<input type="checkbox"/>	1"	127	152	203	254	305
<input type="checkbox"/>	1-1/4"	127	152	203	254	305
<input type="checkbox"/>	1-1/2"	127	152	203	254	305
<input type="checkbox"/>	2"	127	152	203	254	305
<input type="checkbox"/>	2-1/2"	127	152	203	254	305
<input type="checkbox"/>	3"	127	152	203	254	305
<input type="checkbox"/>	4"	127	152	203	254	305

※Order made

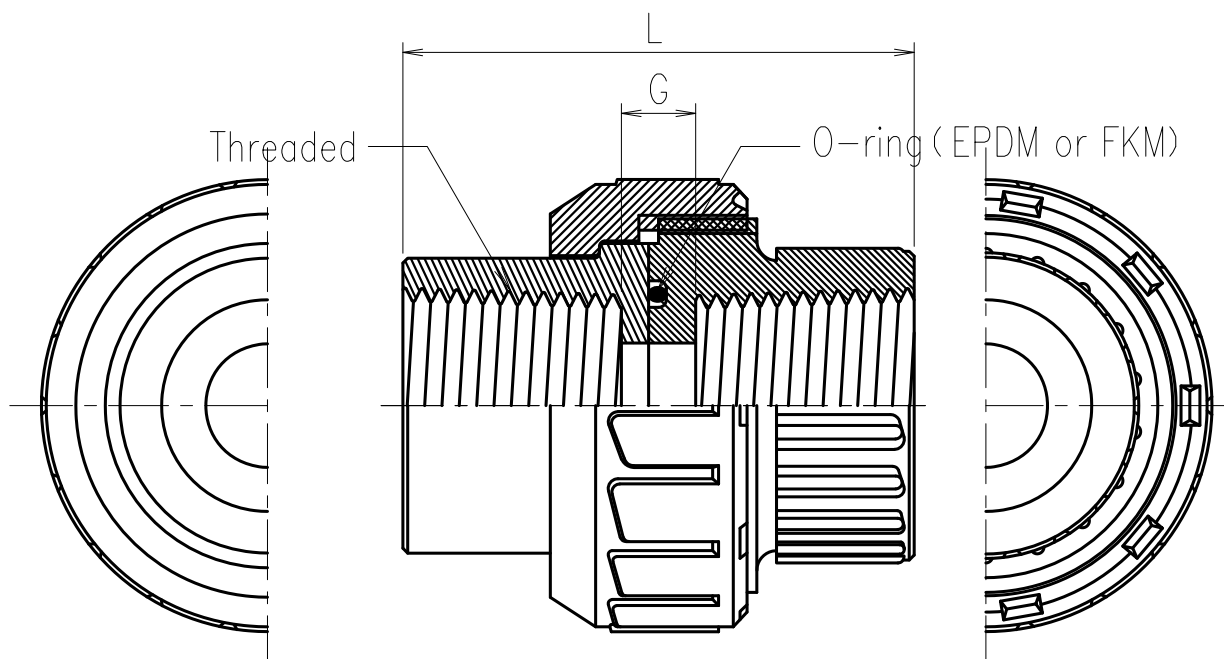
This production meets: (PVC) ASTM D-2464
(CPVC) ASTM F-437

Material

- PVC
- CPVC

Eslon Schedule80 Fittings Nipple		DWG No.
		S8NPLT151H
SEKISUI SEKISUI CHEMICAL CO.,LTD.	Date	Approved by:
	2012.11.20	

Eslon Schedule80 Fittings
True Union Fittings FTxFT



Dimension Table

Unit: mm

	Size		L	G	Thread	O-Ring	Weight kgs/pc		Package pcs/carton
	inch	mm					PVC	CPVC	
<input type="checkbox"/>	1/2"	15	52	7.6	NPT1/2"	P20	0.046	0.050	24
<input type="checkbox"/>	3/4"	20	59	8.2	NPT3/4"	P24	0.073	0.079	24
<input type="checkbox"/>	1"	25	67	7.2	NPT1"	P30	0.130	0.143	24
<input type="checkbox"/>	1-1/4"	32	76	9.2	NPT1-1/4"	P36	0.204	0.223	12
<input type="checkbox"/>	1-1/2"	40	82	8.5	NPT1-1/2"	P46	0.269	0.294	9
<input type="checkbox"/>	2"	50	92	12.0	NPT2"	P58	0.426	0.468	6
<input type="checkbox"/>	2-1/2"	65	108	19.1	NPT2-1/2"	P71	0.656	0.719	6
<input type="checkbox"/>	3"	80	120	24.7	NPT3"	P85	1.076	1.159	4
<input type="checkbox"/>	4"	100	152	37.7	NPT4"	P112	1.862	2.031	4

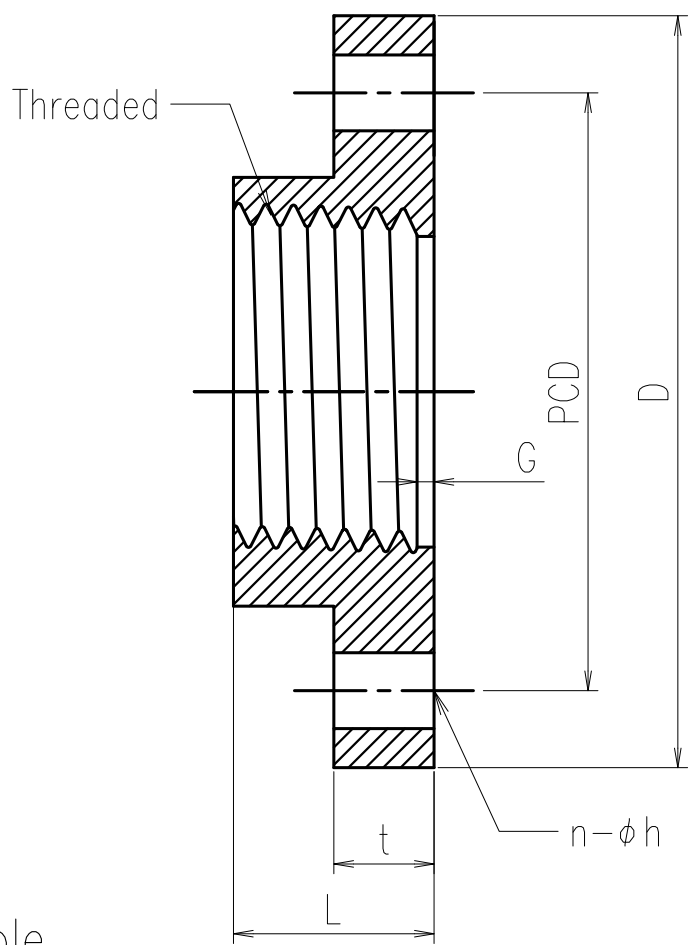
Socket) (PVC) ASTM D-2464
(CPVC) ASTM F-437

Material

- PVC
- CPVC

Eslon Schedule80 Fittings True Union Fittings FTxFT		DWG No.
		S8UNFT151H
SEKISUI SEKISUI CHEMICAL CO.,LTD.	Date	Approved by:
	2012.11.20	

Eslon Schedule80 Fittings
OnePieceFlange Flange (ANSI) –Socket (NPT)



Dimension Table

Unit: mm

	Size		L	t	C	D	n	h	Thread	Weight		Package pcs/carton
	inch	mm								PVC	CPVC	
<input type="checkbox"/>	1/2"	15	25.0	11.5	60.5	89.0	4	16	NPT1/2"	0.094	0.105	25
<input type="checkbox"/>	3/4"	20	29.5	13.0	70.0	98.8	4	16	NPT3/4"	0.120	0.134	25
<input type="checkbox"/>	1"	25	32.0	14.5	79.5	108.3	4	16	NPT1"	0.190	0.212	20
<input type="checkbox"/>	1-1/4"	32	38.5	18.3	89.0	118.5	4	16	NPT1-1/4"	0.240	0.268	20
<input type="checkbox"/>	1-1/2"	40	40.5	17.5	98.5	127.5	4	16	NPT1-1/2"	0.310	0.346	20
<input type="checkbox"/>	2"	50	45.0	19.5	120.5	152.0	4	19	NPT2"	0.458	0.512	10
<input type="checkbox"/>	2-1/2"	65	51.0	22.5	139.5	177.0	4	19	NPT2-1/2"	0.715	0.799	10
<input type="checkbox"/>	3"	80	55.0	24.0	152.5	191.0	4	20	NPT3"	0.880	0.983	10
<input type="checkbox"/>	4"	100	64.0	24.0	190.5	229.7	8	19	NPT4"	1.340	1.497	10

This production meets:
 Socket) (PVC) ASTM D-2464
 (CPVC) ASTM F-437
 Flange) ANSI B16.5 150PSI

Material

- PVC
- CPVC

Eslon Schedule80 Fittings OnePieceFlange Flange (ANSI) –Socket (NPT)		DWG No. S8PFT151H
SEKISUI SEKISUI CHEMICAL CO.,LTD.	Date	Approved by:
	2012.11.20	