

Rigid polyvinyl chloride (PVC)

ESLON

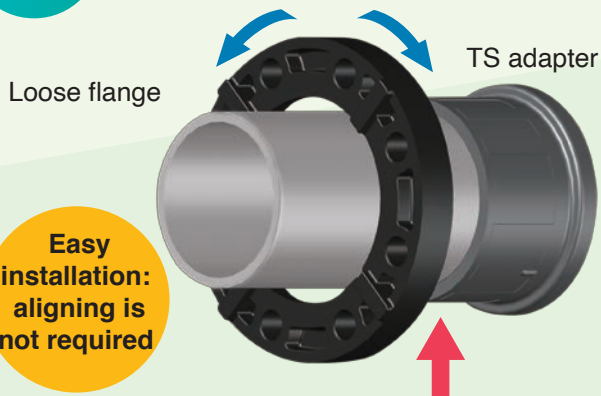
TS Loose Flange

*Easy installation:
pre-alignment
is not required*



Size : 15 to 200A
Materials : Loose flange...GF-PP
TS adapter...PVC or HI-PVC

Point 1 *The position of the bolt holes can be adjusted after the bonding.*

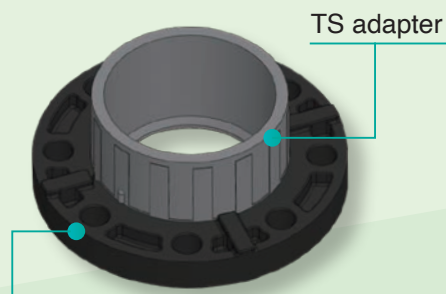


Easy installation:
aligning is not required

The flange section can be rotated to facilitate the aligning on site.

Referred to JIS K6743 for the socket dimensions and JIS B2220 for the flange dimensions.

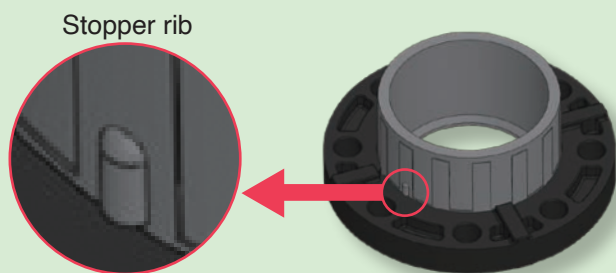
Point 2 *Made entirely of plastic, the part is lightweight and resistant to corrosion.*



Loose flange

- Made of glass fiber reinforced polypropylene resin (GF-PP) for better strength.
- The shapes of the flanges are determined using strength analysis.

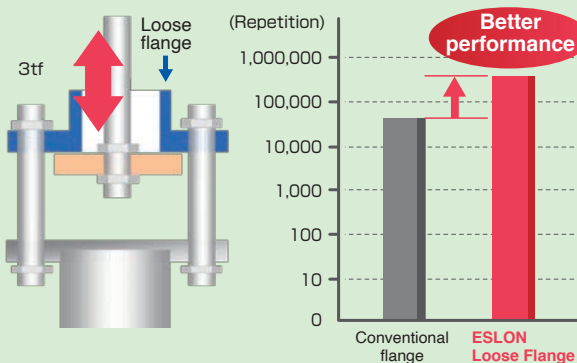
Point 3 *A stopper rib is used to prevent the flange from falling from the pipe.*



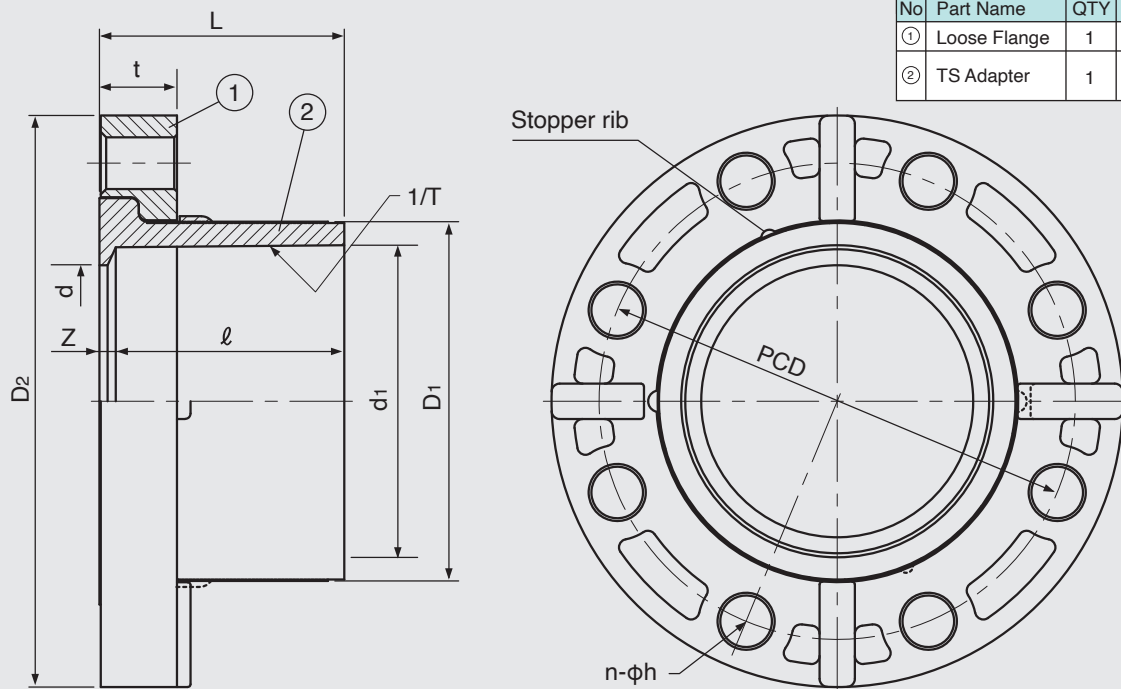
*15 to 40A: 2 locations / 50 to 200A: 1 location

Point 4 *Better strength than conventional integrated flanges.*

■ Fatigue test with a load applied repeatedly (HI 50A)



Drawings and dimensions



No	Part Name	QTY	Material
①	Loose Flange	1	GF-PP
②	TS Adapter	1	●PVC ●HI-PVC

Unit: mm

Nominal diameter		TS Adapter					Loose Flange					L	Z	Weight (kg/unit)	Part Number	
A	B	Inlet diameter d ₁	Socket length ℓ	Taper 1/T	D ₁	d	D ₂	PCD	t	n-φh	PVC				HI	
15	1/2	22.4	30	1/34	31	17	95	70	21	4-15	36	6	0.13	TLF15	TLFHI15	
20	3/4	26.5	35	1/34	35	21	100	75	21	4-15	41	6	0.15	TLF20	TLFHI20	
25	1	32.6	40	1/34	41	25	125	90	21	4-19	46	6	0.24	TLF25	TLFHI25	
30	1 1/4	38.6	44	1/34	48	31	135	100	23	4-19	51	7	0.31	TLF30	TLFHI30	
40	1 1/2	48.7	55	1/37	61	41	140	105	23	4-19	62	7	0.36	TLF40	TLFHI40	
50	2	60.8	63	1/37	73	52	155	120	25	4-19	70	7	0.45	TLF50	TLFHI50	
65	2 1/2	76.6	61	1/48	88	67	175	140	25	4-19	70	9	0.56	TLF65	TLFHI65	
80	3	89.6	64	1/49	102	78	185	150	27	8-19	72	8	0.64	TLF80	TLFHI80	
100	4	114.7	84	1/56	132	100	210	175	28	8-19	90	6	0.93	TLF1H	TLFHI1H	
125	5	140.9	104	1/58	158	125	250	210	28	8-23	114	10	1.35	TLF1Q	TLFHI1Q	
150	6	166.0	132	1/63	186	146	280	240	32	8-23	142	10	2.06	TLF1F	TLFHI1F	
200	8	217.5	155	1/50	238	196	330	290	36	12-23	166	11	3.02	TLF2H	TLFHI2H	

Note: 1. Referred to the JIS K6743 standard (Unplasticized poly (vinyl chloride) (PVC-U) pipe fittings for water supply) for the TS adapter dimensions.
2. Referred to the JIS B2220 standard (Steel welding pipe flanges) for the loose flange dimensions.

Compatible bolt sizes

Nominal diameter			15	20	25	30	40	50	65	80	100	125	150	200
Bolt	Size		M12	M12	M16	M16	M16	M16	M16	M16	M16	M20	M20	M20
	Shank length (mm)	Double-sided loose flange	65	65	70	75	75	80	85	85	90	90	100	110
		Single-sided loose flange	60	60	65	70	70	75	80	80	85	85	95	100
		Double-sided TS flange (for ref.)	50	50	55	60	60	70	75	75	75	80	85	90
QTY		4	4	4	4	4	4	4	4	8	8	8	8	12

Installation precautions

- For TS fitting, insert the pipe as far as it goes quickly after applying the ESLON solvent cement.
- After inserting the pipe, hold the parts for the time indicated on the solvent cement label, and then check that the flange is securely in place.
- Follow the regular TS installation standard for other installation works.
- Use ESLON GASKET for sealing.
- Refer to and follow the ESLON GASKET instructions for the bolt tightening torque.

SEKISUI CHEMICAL CO.,LTD. Industrial Piping Systems Division

2-10-4 Toranomon Minatoku, Tokyo, 105-8566 Japan
 TEL +81-3-6748-6489 FAX +81-3-6748-6553
<https://eslon-plant.jp/web-en/> E-mail: eslon_plant@sekisui.com

SEKISUI INDUSTRIAL PIPING CO., LTD.
 5F., No.156, Sec.1, Zhongshan Rd., Banqiao Dist., New Taipei City 22065, Taiwan (R.O.C.)
 TEL +886-2-2964-1478 FAX +886-2-2964-1959

SEKISUI (SHANGHAI) INTERNATIONAL TRADING CO., LTD.
 Room 706, Metro Tower, No.30, Tianyaoqiao Road Shanghai. 200030, China
 TEL +86-21-6482-0638 FAX +86-21-6482-0639

SEKISUI SINGAPORE PTE, LTD.
 7500A Beach Road #12-306 The Plaza, Singapore 199591
 TEL +65-6296-3788 FAX +65-6296-7723

SEKISUI CHEMICAL GmbH
 Roßstraße 92, 40476 Düsseldorf, Germany
 TEL +49-211-36977-0 FAX +49-211-36977-31

SEKISUI VIETNAM CO., LTD.
 Room1414, CornerStone Building, 16Phan Chu Trinh St, Hoan Kiem District, Hanoi, Vietnam
 TEL +84-4-3939-2677 FAX +84-4-3939-2678

Printed December. 2022

ESLON TS Loose Flange
 Leaflet

SEKISUI CHEMICAL CO.,LTD.
 Industrial Piping System Division

No. 06279
 2022.12. 0TH TX