

JIS ANSI/ASME/ASTM  
DIN/ISO



Operating Temperature(°C)

PVC	0 ~ 50	PP	-20 ~ 80
HT-CPVC	0 ~ 90	PVDF	-20 ~ 100

## ESLON ELECTRIC BALL VALVE TYPE N

### Feature

- Light weight and compact of actuator with aluminum die-cast housing.
- Excellent chemical and corrosion resistance.
- Available 2 type of rotation speed by motor, standard type and high speed type for open-close operation.
- Visually confirmable valve action and open-close position, available manual open-close operation.

### Time For Open-Close (50/60Hz)

Size (A)	Time(Sec.)	
	Standard Type	Higher Speed Type
15A	5.4/4.5	3/2.5
20,25A	15.5/13	15/22.5
32,40A	16/13.5	6/5
50,65A	-	3 ~ 4
80,100A	-	6 ~ 10

### ⚠ Important Notes

- Gasifying, volatile, or evaporating fluid such as hydrogen peroxide and sodium hypochlorite might rise inner pressure of valve and burst the valve. Please contact us concerning such risk. Gas relief type of customized ball valve which has relief orifice on the ball is available.
- Do not use for the fluid containing slurry, solid, sediment, or crystallized fluid. Or for those kinds of fluid, strainer should be used in upstream.

### Specification of Actuator

Type	Standard Type		High Speed Type	
Nominal diameter(A)	15~32A	40A	15~40A	50~100A
Input system	Power switching system			
Contact output	Power supply voltage			
Operating voltage	Single-Phase AC100/110,200/220V(50/60Hz)			
Motor	Type	Synchronous motor	Reversible motor	DC Motor
	Time rating	15 minutes rating under loading rate 20%		
Protect	Thermal protect inside	Thermal protect inside	Thermistor type	
Power consumption	16VA	19VA	50VA	100VA max.
Manual operation	Release of the screw lock		Drive shaft direct operation	
Connector type	G3/8 wire connecto(r $\phi 5 \sim \phi 10.5$ Cabtire cable)			
Material	ADC Resin Coating			
Protection	IP65			
Condensation prevention	Built-in space heater			

### Maximum Working Pressure - Temperature Rating

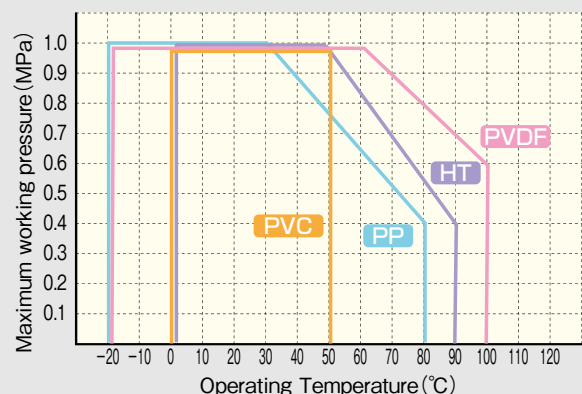
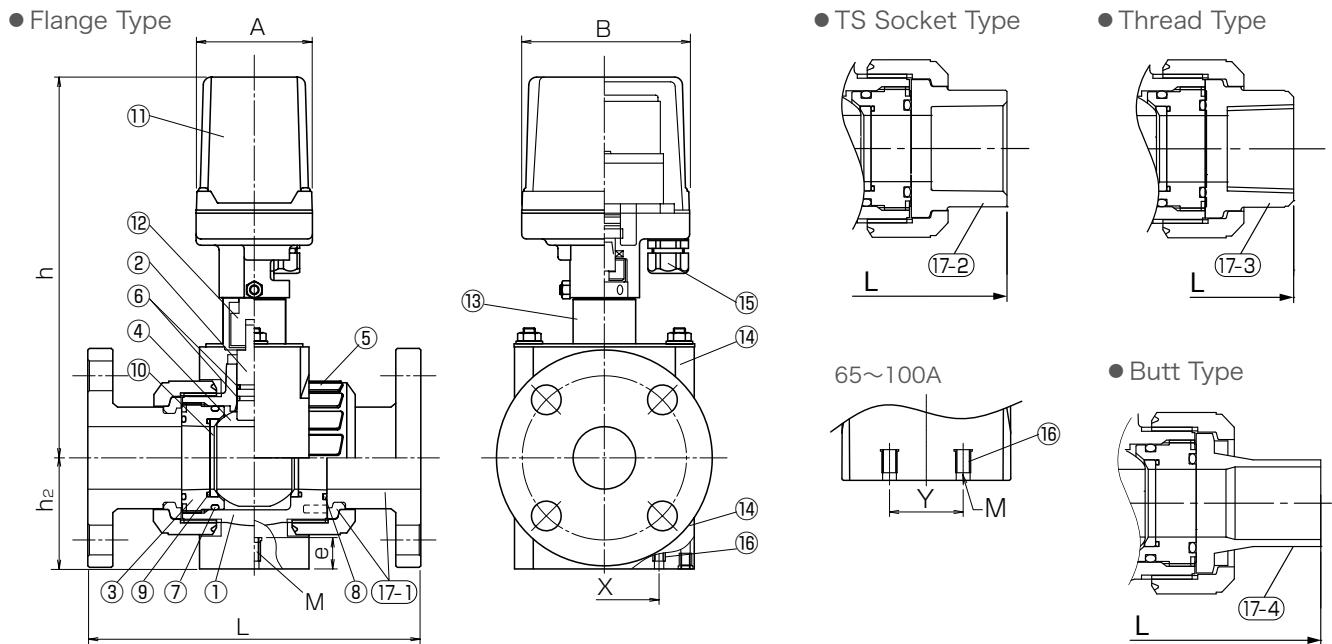


Figure (Flange Type · TS Socket Type · Thread Type · Butt Type)



**Parts List**

No.	Part Name	Q'TY	Material / Type	No.	Part Name	Q'TY	Material / Type
1	Body	1	● PVC	13	Yoke	1	SUS304
2	Stem	1	● HT (JIS:Brown)	14	Mount	2	FRP
3	Ball holder	1	● CPVC (ANSI-DIN:Gray)	15	Electric Conduit Gland	1	PA, G1/2
4	Ball	1	● PP	16	Fixing Insert Nut	-	C3601
5	Union nut	2	● PVDF	17-1	Flange, Set ring	2	● PVC ● HT ● CPVC ● PP ● PVDF
6	Stem O-ring*1	2		17-2	TS Socket	2	● PVC ● HT ● CPVC
7	Ball holder O-ring	1	● EPDM	17-3	Threaded socket	2	● PP ● PVDF ● PE
8	Union O-ring	2	● FKM	17-4	Butt Spigot Type	2	PVDF
9	Ball seat O-ring	2					
10	Ball Seat	2	PTFE				
11	Actuator	1	ADC+Resin Coating				
12	Connector	1	C3604				

**Option**

- No-voltage limit switch
- Space heater (Standard)

\*1 Stem O-Ring material will be FKM+PTFE in case of Oil Free.

**Size**

Flange Type · Thread Type · TS Socket Type · Butt Type

Unit : mm

Size		L							h		h <sub>2</sub>		Actuator			
A	B	Flange		TS Socket	Thread		Butt Spigot	Standard Type	Higher Speed Type	Flange	TS, Thread, Butt	A	B	X	Y	M
		PVC-HT	PP-PVDF	PVC-HT	PVC	PVDF	PVDF									
15	1/2	143	143	109	97	99	143	166	193	49	30	74	107	50	-	M6
20	3/4	172	172	132	117	116	152	168	195	52	34	74	107	50	-	M6
25	1	187	187	143	128	136	161	181	208	64	39	74	107	50	-	M6
32	1 1/4	190	190	166	146	148	167	228	228	69	49	74	107	55	-	M6
40	1 1/2	212	212	175	163	169	190	244	244	71	59	74	107	70	-	M8
50	2	234	234	203	188	196	216	-	331	79	74	160	175	85	-	M8
65	2 1/2	259	257	259	227	227	208	-	351	89	89	160	175	115	38	M8
80	3	304	301	311	278	278	301	-	377	110	110	160	175	140	48	M8
100	4	372	367	390	330	330	340	-	412	140	140	160	175	180	59	M8

Size		Ref. Weight (kg/unit)		Actuator	
A	B	Flange	TS, Thread	Standard Type	High Speed Type
		15	1/2	2.0	1.7
20	3/4	2.2	1.8	AM-070	AH-070 ※
25	1	2.5	2.0	AM-070	AH-070 ※
32	1 1/4	3.3	2.7	AM-180	AH-180 ※
40	1 1/2	3.9	3.4	AM-180	AH-180 ※
50	2	11.0	10.0	-	AD-300
65	2 1/2	14.0	13.0	-	AD-300
80	3	18.0	17.0	-	AD-700
100	4	24.5	24.0	-	AD-700

※ No-voltage limit switch is not available