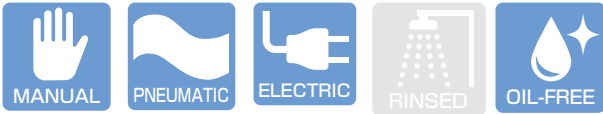


JIS ANSI/ASME/ASTM DIN/ISO



Operating Temperature(°C)

PVC	0 ~ 50	PP	-20 ~ 80
HT-CPVC	0 ~ 90	PVDF	-20 ~ 100



## ESLON PNEUMATIC BALL VALVE TYPE S

### Feature

- Light weight and compact aluminum actuator.
- Excellent chemical & corrosion resistance.
- High durability.
- Operating air pressure : 0.4MPa.
- Manual override wheel handle for open/close is available.
- Box type of Limit switch is available as an option.
- Conformity with NAMUR standard.

### Actuator Specifications

Size	Double Action		Single Action	
	Model	Air consumption (ℓ/time)	Model	Air consumption (ℓ/time)
15-25A	RD40	1.0	RS50	1.0
32,40A	AD50	2.0	AS50	1.0
50A	AD50	2.0	AS65	1.5
65,80A	AD65	3.0	AS80	3.0
100A	AD80	5.5	AS100	6.0

### Standard Operating Air Pressure

Double Action	0.4MPa
Air To Open:Air To Close	0.4MPa

### Air Supply Port

Operation type	Size	Air intake port
Double Action	15-25A	Rc 1/8
	32-100A	Rc 1/4
Air To Open:Air To Close	15-100A	Rc 1/4

### ⚠ Important Notes

- Gasifying, volatile, or evaporating fluid such as hydrogen peroxide and sodium hypochlorite might rise inner pressure of valve and burst the valve. Please contact us concerning such risk. Gas relief type of customized ball valve which has relief orifice on the ball is available.
- Do not use for the fluid containing slurry, solid, sediment, or crystallized fluid. Or for those kinds of fluid, strainer should be used in upstream.

### Maximum Working Pressure - Temperature Rating

■ Double Action, Air To Close, Air To Open

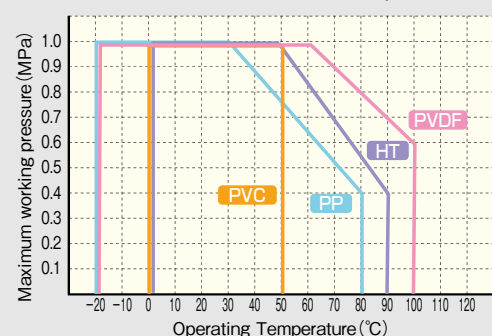
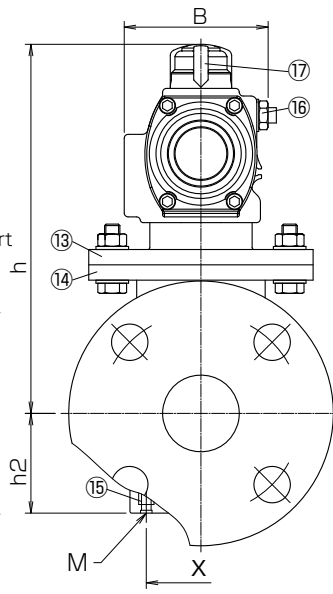
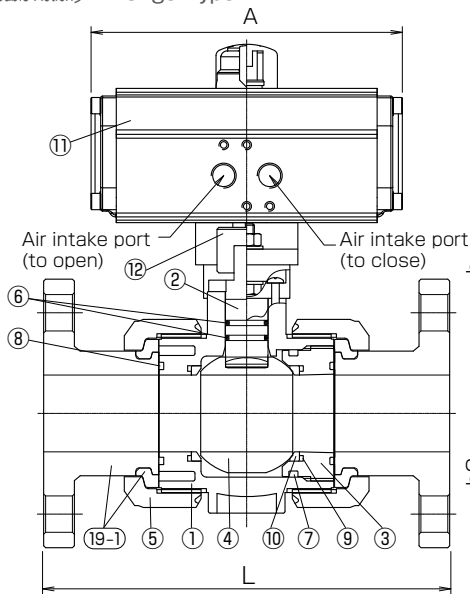
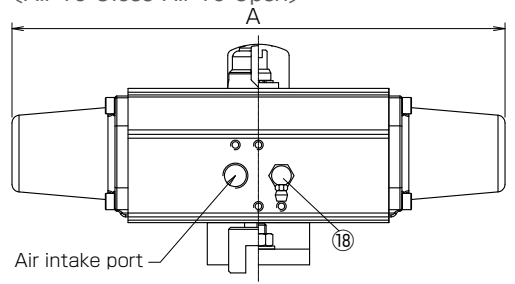


Figure (Flange Type · TS Socket Type · Thread Type · Butt Type)

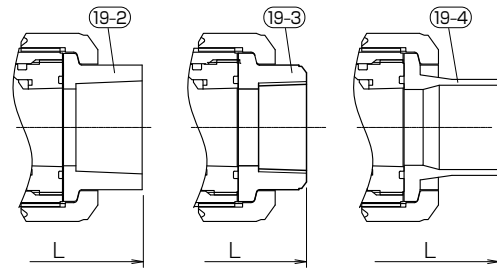
[Double Action] ● Flange Type



[Air To Close·Air To Open]



● TS Socket Type ● Thread Type ● Butt Type



**Parts List**

No.	Part Name	QTY	Material / Type
1	Body	1	● PVC
2	Stem	1	● HT (JIS : Brown)
3	Ball holder	1	● CPVC (ANSI·DIN : Gray)
4	Ball	1	● PP
5	Union nut	2	● PVDF
6	Stem O-ring*	2	
7	Ball holder O-ring	1	● EPDM
8	Union O-ring	2	● FKM
9	Ball seat O-ring	2	
10	Ball Seat	2	PTFE
11	Cylinder	1	AL6063
12	Connector	1	AL6061
13	Yoke	1	GF-PP
14	Yoke	1	GF-PP
15	Insert Nut	2	C3601
16	Adjust Bolt	2	SUS304
17	Indicator	1	PA+PE
18	Air Exhaust Port	1	C3601+Cr Coated
19	Flange.Set ring	2	● PVC ● HT ● CPVC ● PP ● PVDF
20	TS Socket	2	● PVC ● HT ● CPVC
21	Threaded socket	2	● PVC ● PVDF
22	Butt Spigot Type	2	● PP ● PVDF ● PE
23	Socket welding	2	PP

**Option**



\* Other options: Please contact us.

## Size

Flange type · Thread type · TS socket type · Butt type

Unit : mm

Size		φ d	h		A		B		Fixing Insert x000D_ Nut		Flange JIS10K,ANSI,DIN	
A	B		Double Action	Air to open Air to close	Double Action	Air to open Air to close	Double Action	Air to open Air to close	X	M		
15	1/2	15	132	147	97	133	60	75	27.0	M5	143	
20	3/4	20	137	152	97	133	60	75	32.0	M5	172	
25	1	25	146	162	97	133	60	75	37.0	M5	187	
32	1 1/4	32	170	170	162	257	75	75	42.0	M5	190	
40	1 1/2	40	193	193	162	257	75	75	57.0	M6	212	
50	2	50	199	216	162	314	75	89	67.0	M6	234	
65	2 1/2	65	245	264	202	430	89	101	81.0	M6	259	257
80	3	80	258	275	202	430	89	101	99.7	M8	304	301
100	4	100	319	341	262	500	101	129	119.7	M8	372	367

Size		TS Socket			Thread					
A	B	JIS	ASTM	DIN	JIS,DIN (Rc)		ANSI (NPT)		DIN (Rp)	
		PVC,HT,CPVC	PVC,HT,CPVC	PVC,HT,CPVC	PVC	PVDF	PVC	PVDF	PVC	PVDF
		L	L	L	L		L		L	
15	1/2	109	103	92	97	99	97	99	97	99
20	3/4	132	119	107	117	116	117	116	117	116
25	1	143	133	121	128	136	128	136	128	136
32	1 1/4	166	147	137	146	148	146	148	146	148
40	1 1/2	175	171	161	163	169	163	169	163	169
50	2	203	188	189	188	196	188	196	188	196
65	2 1/2	259	211	211	227	227	212	212	212	212
80	3	311	262	263	278	278	261	261	261	261
100	4	390	315	315	330	330	315	315	315	315

Size		Butt Spigot		Socket welding		Ref.Weight Body:PVC (kg/unit)			
A	B	DIN	DIN	JIS	DIN	Double Action		Air to open Air to close	
		PP,PVDF	PE	PE	PP	Flange	Socket	Flange	Socket
		L	L	L	L				
15	1/2	143	210	-	103	0.7	0.5	1.6	1.3
20	3/4	152	220	-	114	0.9	0.6	1.7	1.4
25	1	161	237	247	126	1.6	1.1	2	1.6
32	1 1/4	167	258	-	141	2.6	2.1	2.9	2.3
40	1 1/2	190	292	291	162	3.2	2.6	3.5	2.8
50	2	216	325	314	185	0.9	0.6	5.6	4.7
65	2 1/2	208	363	-	204	1.6	1.1	9.5	8.5
80	3	301	424	424	264	2.6	2.1	11.9	11.0
100	4	340	478	498	317	18.4	17.5	21.1	20.2