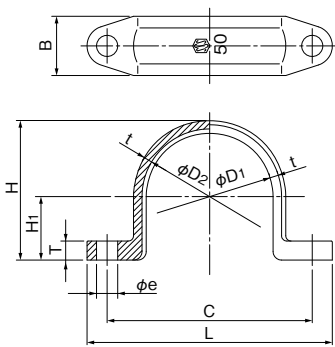


ESLON™ SADDLE BAND



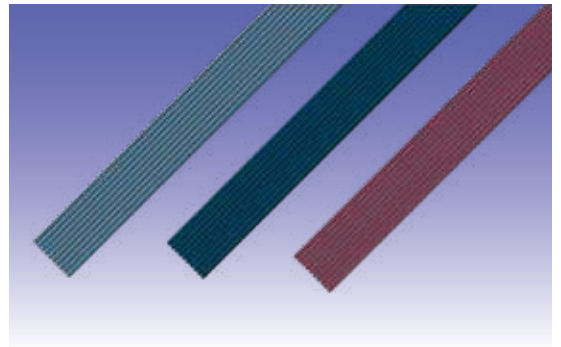
SADDLE BAND SPECIFICATIONS



Unit:mm

Size	φ D1	φ D2	t	C	L	φ e	T	H1	H	B	Bolt	Weight (kg/pc)	Item No.
16	22	24	3	42	53	6	5	11.0	26.0	15	M5	0.01	SBU16
20	26	29	3	48	59	6	5	13.0	30.5	18	M5	0.01	SBU20
25	32	35	3	54	65	6	6	16.0	36.5	18	M5	0.01	SBU25
28	34	37	3	59	73	7	7	17.0	38.5	20	M6	0.01	SBU28
30	38	41	4	66	80	7	7	19.0	43.5	20	M6	0.03	SBU30
40	48	52	4	90	109	10	9	24.0	54.0	25	M8	0.03	SBU40
50	60	64	4	97	116	10	9	30.0	66.0	28	M8	0.03	SBU50
65	76	81	4	114	134	10	10	38.0	82.5	30	M8	0.05	SBU65
75	89	94	4	134	158	12	11	44.5	95.5	38	M10	0.07	SBU75
100	114	120	4.5	160	186	12	12	57.0	121.5	42	M10	0.10	SBU1H
125	140	150	5	192	218	12	12	70.0	150.0	46	M10	0.15	SBU1Q
150	165	177	8	238	268	17	14	82.5	179.0	50	M14	0.29	SBU1F
200	216	236	10	316	356	18	20	108.0	236.0	70	M16	0.72	SBU2H

WELDING ROD



WELDING ROD SPECIFICATIONS

Unit:mm

	Color	Quantity for Reference		length (mm)	Weight (kg/pc)	Item No.	
		Single (●)	Double (●●)			Single	Double
		φ 3	φ 3				
For PVC pipe	Gray	530	270	1,000	5	※	※
For HI pipe	Navy Blue	540	280	1,000	5	※	※
For Plant HT pipe (T-17)	Brown	440	220	1,000	5	WLHTT3S	WLHTT3W
For Plant HT pipe (P-10)	Pink	440	220	1,000	5	WLHTP3S	WLHTP3W

※...Please contact us.