

Operating Temperature(°C)

PVC 0 ~ 50



(15A~50A)



(65A~100A)

ESLON GLOBE VALVE

Feature

- Superior chemical resistance and durability as unique plug sealing and non-contact stem with medium.
- Built in indicator for open-close position and preventive mechanism for over-tightening (15~50A)
- Flat at the bottom of flange for prevention of tumbling and for better workability in plumbing.

⚠ Important Notes

- Fluid containing slurry, solid, sediment, or crystallized fluid might disable sealing.

Maximum Working Pressure - Temperature Rating

Body material : PVC

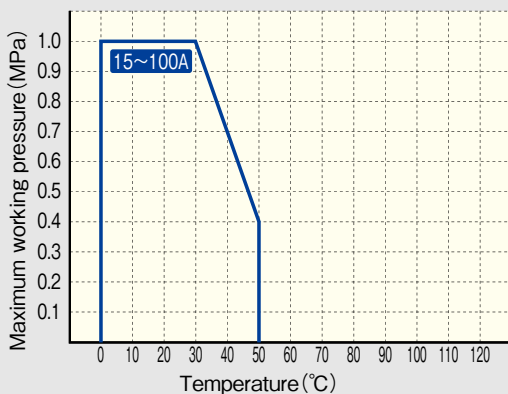
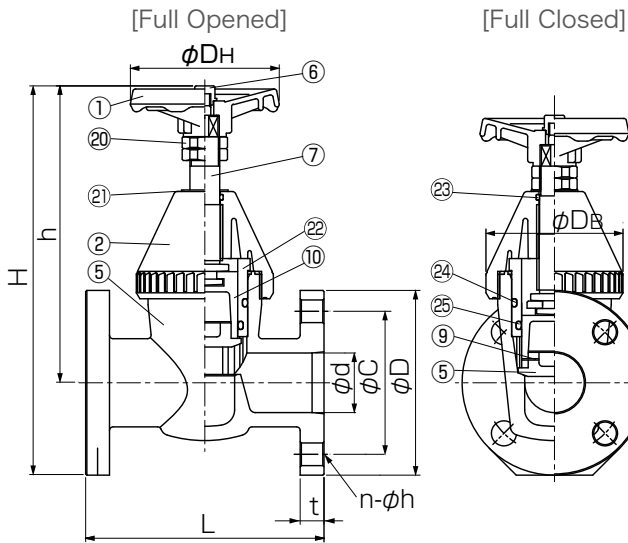
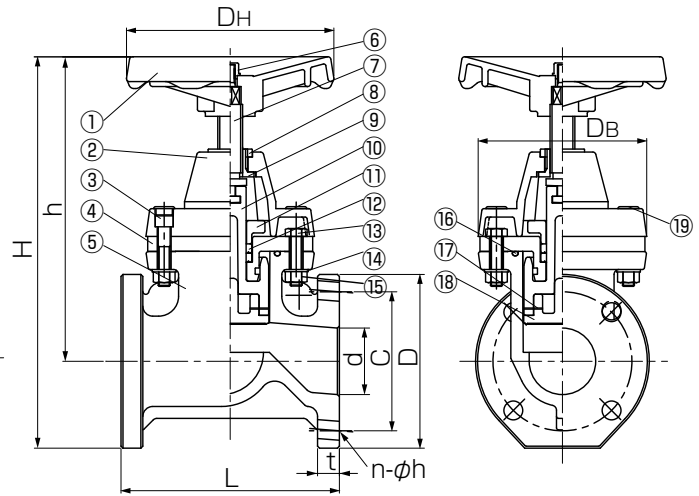


Figure (Flange Type · TS Socket Type · Thread Type)

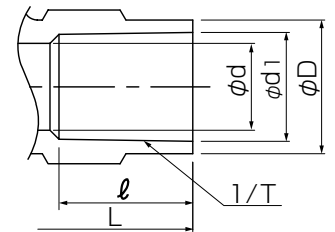
● Flange (15A~50A)



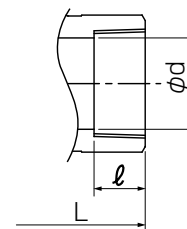
● Flange (65A~100A)



● TS Socket



● Thread



Parts List

No.	Part Name	QTY	Material	No.	Part Name	QTY	Material
1	Handle	1	ABS	13	Hexagon Bolt	4	Ni plated SCM
2	Bonnet	1	PVC	14	Washer	8	SUS304
3	Bolt	4	Ni plated SCM	15	Hexagon Nut	8	SUS304
4	Bonnet	1	PVC	16	O-ring	1	EPDM
5	Body	1	PVC	17	Set Pin	—	PVC
6	Handle Nut	1	PVC	18	Disc	1	PP
7	Stem	1	C3601	19	Bolt Cap	1	PP
8	Set Nut	1	C3601	20	Stopper Nut	2	PVC
9	Sleeve	1	C3601	21	Thrust Washer	1	PTFE
10	Disk Holder	1	PVC	22	Bush	1	PVC
11	Gasket Stopper	1	PP	23	O-ring	1	NBR
12	Y Gasket	2	EPDM	24,25	O-ring	1	● EPDM ● FKM

· Thrust washer is assembled for size 40A and 50A.

Size

Flange Type

Size		d	L	H (max)	h (max)	D _H	D _B	Flange (JIS 10K)				Weight (kg/unit)
A	B							D	C	n-φh	t	
15	1/2	15	85	199	152	65	52	95	70	4-15	14	0.5
20	3/4	20	95	215	165	65	62	100	75	4-15	14	0.6
25	1	25	110	239	177	80	72	125	90	4-19	14	0.9
32	1 1/4	30	135	272	205	80	83	140	100	4-19	16	1.3
40	1 1/2	40	190	304	234	125	105	140	105	4-19	16	1.9
50	2	50	200	327	249	125	115	155	120	4-19	20	2.6
65	2 1/2	65	220	390	303	150	170	175	140	4-19	22	5.5
80	3	80	240	442	350	210	189	185	150	8-19	22	7.5
100	4	100	290	500	395	210	231	210	175	8-19	24	11.0

TS Socket Type · Thread Type

Size		d	L		H (max)		h (max)		D _H	D _B	TS Socket			Thread		Weight(kg/unit)	
A	B		TS	Thread	TS	Thread	TS	Thread			d _i	1/T Taper	ℓ	Size	ℓ	TS	Thread
15	1/2	16	110	85	169	169	152	152	65	52	22.4	1/34	30	Rc 1/2	15	0.3	0.3
20	3/4	21	130	95	186	186	165	165	65	62	26.5	1/34	35	Rc 3/4	17	0.4	0.4
25	1	26	150	110	201	201	177	177	80	72	32.6	1/34	40	Rc 1	20	0.5	0.5
32	1 1/4	32	—	135	—	234	—	205	80	83	—	—	—	Rc 1 1/4	22	—	0.8
40	1 1/2	41	—	140	—	257	—	234	125	105	—	—	—	Rc 1 1/2	25	—	1.3
50	2	50	—	180	—	298	—	249	125	115	—	—	—	Rc 2	28	—	1.8